

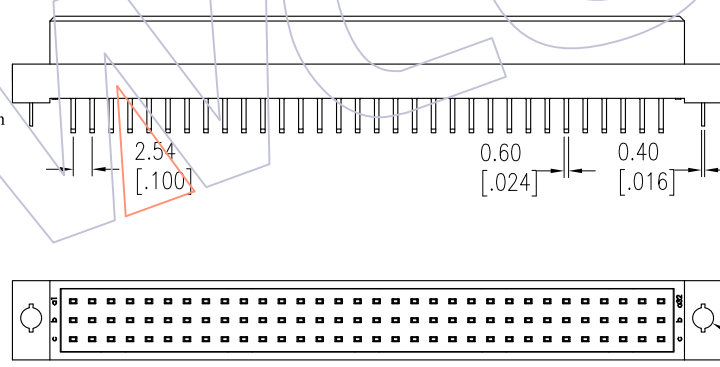
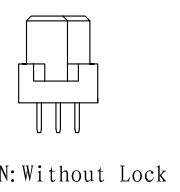
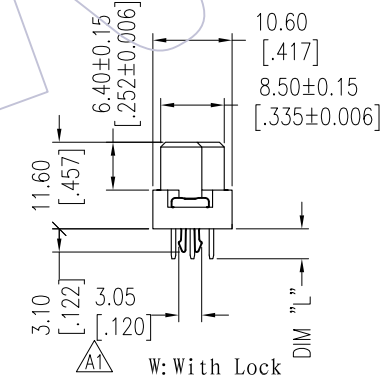
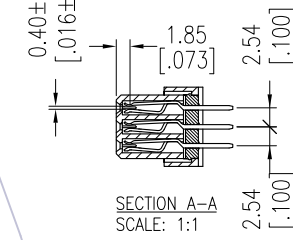
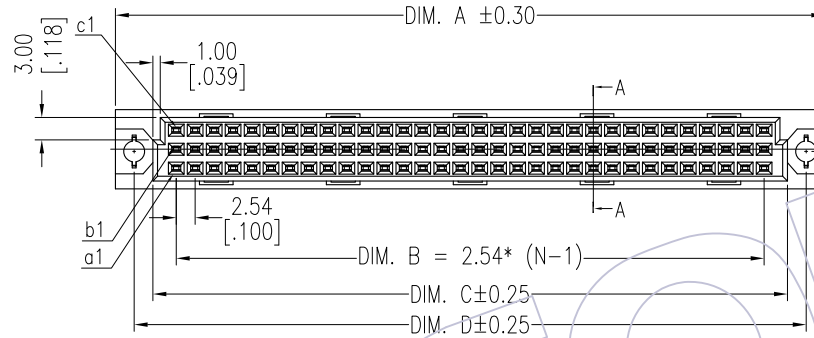
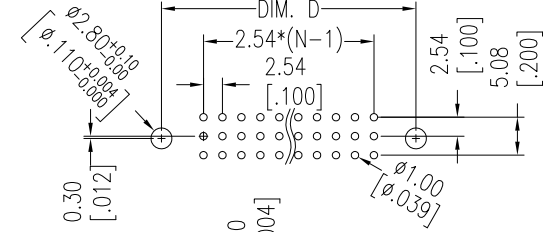
HSF

NOTES:

Current Rating: 3.0AMP
 Contact Resistance: 30mΩ max
 Withstand Voltage: 1000V AC/DC
 Insulation Resistance: 1000MΩ
 Operation Temperature: -55°C ~ +105°C

Contact Material: Phosphor Bronze
 Contact Plating: Au and Sn over Ni
 Fixing Material: Phosphor Bronze
 Fixing Plating: Sn over Ni
 Housing Material: PBT+30% G.F(UL94V-0)
 Cover Material: PBT+30% G.F(UL94V-0)

Recommended P.C.B Layout(Top Side)
 (PCB BOARD TOLERANCE ±0.05)



Ordering Information

3410-3 XX X FS SX X A X

No. of Pins Per Row:	Rows with Contacts	Contact Plating	Packing	DIP Length
10pin	A=a+b+c	S0=Gold Flash/Tin	A=Tray	1: L=2.50
16pin	B=a+b	S1=3u"Gold/Tin		2: L=3.00
32pin	C=a+c	S3=10u"Gold/Tin		3: L=4.00
	D=a	S4=15u"Gold/Tin	W=With Lock	4: L=4.57
		S5=30u"Gold/Tin	N=Without Lock	
		SN=Tin		

C	POS.	ROWS	N	DIM.A	DIM.B	DIM.C	DIM.D
96	3	32	95.00	78.74	85.00	90.00	
C/2	48	3	16	55.00	38.10	44.40	50.00
C/3	30	3	10	39.76	22.86	29.10	34.76

REV	DATE	MODIFICATION DESCRIPTION	CHANGE	OPERATION	DRAW	DATE	SCALE	FIT	PART NO.
				X.X	JYHuang	2014/08/12	UNIT	mm	3410-3XXXFSSXXAX
				X.XX	CHECK	DATE	inch		
A1	2014/08/12	Modify the dim		X.XXX			SIZE	A4	TITLE:
A0	2014/05/29	NEW		Angle	APPROVE	DATE	SHEET	1/1	2.54PITCH DIN 41612
				DIM			PROJ.	Customer NO.	C, C/2, C/3 TYPE FEMALE