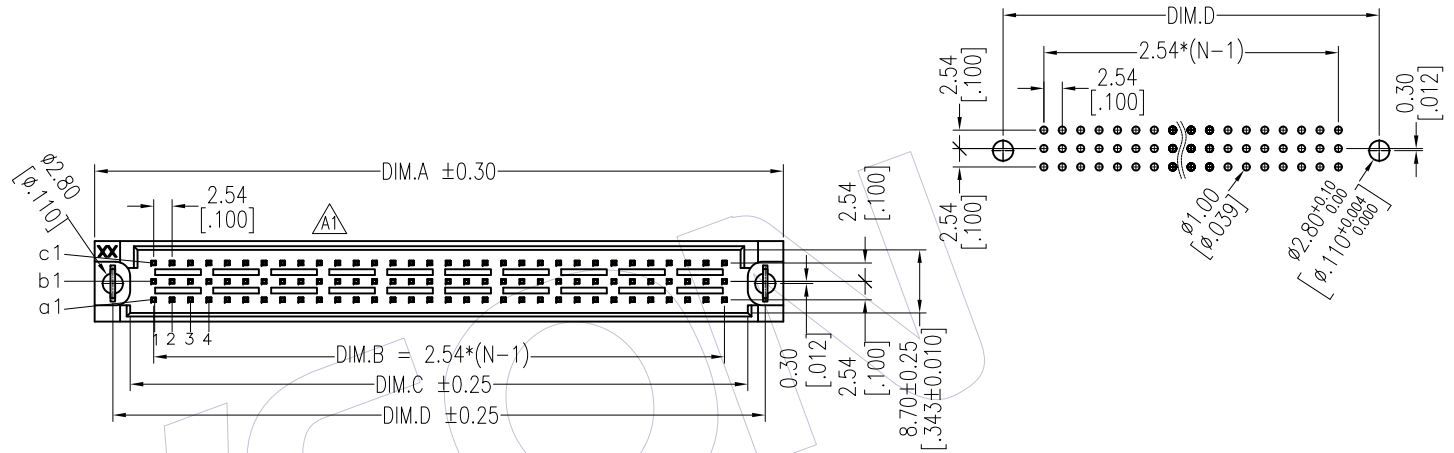


HSF

NOTES:
 Current Rating: 3.0AMP
 Contact Resistance: 30mΩ max
 Withstand Voltage: 1000V AC/DC
 Insulation Resistance: 1000MΩ
 Operation Temperature: -55°C ~ +105°C

Contact Material: Brass
 Contact Plating: Au and Sn over Ni
 Fixing Material: Phosphor Bronze
 Fixing Plating: Sn over Ni
 Insulation Material: PBT+30% G.F(UL94V-0)

Recommended P.C.B Layout(Top Side)
 (PCB BOARD TOLERANCE ±0.05)

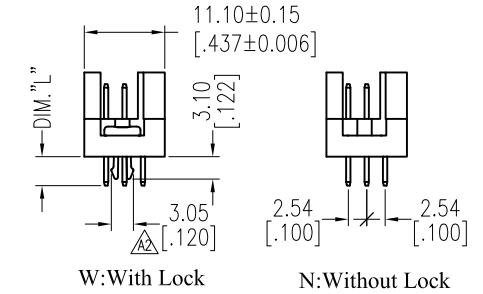
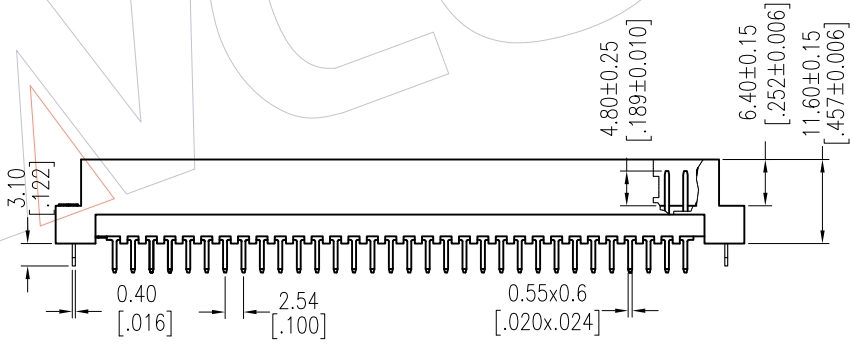


Ordering Information

3410-3 XX X MS SX

X A X

| | | | | |
|-------------|--------------------|-------------------|----------------|------------|
| No. of Pins | Rows with contacts | Contact Plating: | Packing: | DIP length |
| Per Row | A=a+b+c | S0=Gold Flash/Tin | A=Tray | 1:L=2.50 |
| 10pin | B=a+b | S1=3u"Gold/Tin | | 2:L=3.00 |
| 16pin | C=a+c | S3=10u"Gold/Tin | | 3:L=4.00 |
| 32pin | D=a | S4=15u"Gold/Tin | | 4:L=4.57 |
| | | S5=30u"Gold/Tin | W=With Lock | |
| | | SN=Tin | N=Without Lock | |



| TYPE | POS. | ROWS | N | DIM.A | DIM.B | DIM.C | DIM.D |
|------|------|------|----|-------|-------|-------|-------|
| R | 96 | 3 | 32 | 95.00 | 78.74 | 85.20 | 90.00 |
| R/2 | 48 | 3 | 16 | 54.40 | 38.10 | 44.60 | 50.00 |
| R/3 | 30 | 3 | 10 | 39.16 | 22.86 | 29.30 | 34.76 |

| REV | DATE | MODIFICATION DESCRIPTION | CHANGE | OPERATION | DRAW | DATE | SCALE | FIT | PART NO. |
|-----|------------|--------------------------|--------|------------------|---------|------------|-------|------------|---|
| A2 | 2014/08/12 | Modify the dim | — | X.X ±0.40 | JYHuang | 2014/08/12 | UNIT | mm inch | 3410-3XXXMSXXXAX |
| A1 | 2014/06/26 | Modify | — | X.XX ±0.25 | CHECK | DATE | SIZE | A4 | TITLE: 2.54PITCH DIN 41612 Male 180° DIP (R-Type) |
| AO | 2014/06/05 | NEW | — | X.XXX ±0.15 | APPROVE | DATE | SHEET | 1/1 | Customer NO. |
| | | | | Angle DIM TOL | | | PROJ. | | |