

# HSF

### NOTES:

Current Rating: 3.0AMP  
 Contact Resistance: 25mΩ Max  
 Withstand Voltage: 500V AC/Minute  
 Insulation Resistance: 1000MΩ Min  
 Operation Temperature: -55°C to +105°C

Contact Material: Brass  
 Contact plating: Au Or Sn over Ni  
 Insulator Material: PA66+30%G.F UL94V-0  
 Shell: Cold Roller Steel, Ni Plated  
 Revit/Harpoon: Brass, Sn Over Ni Plated

Print Date Code:

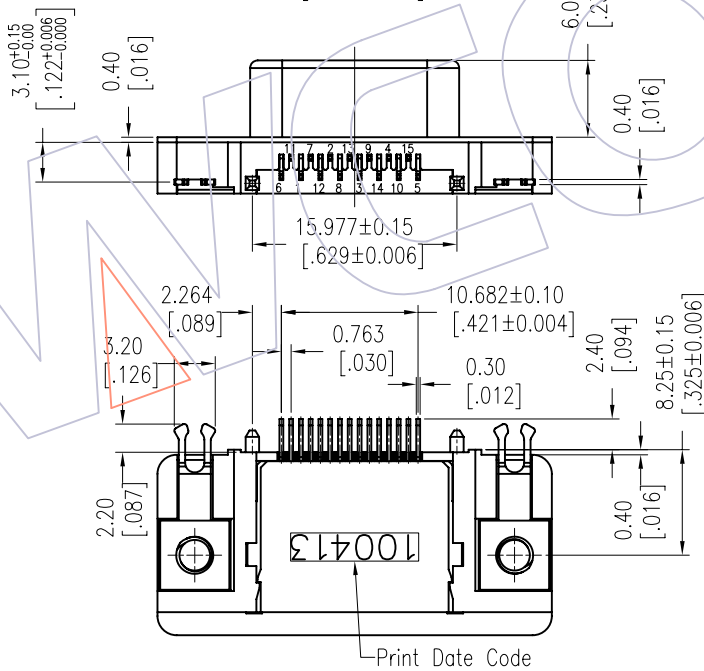
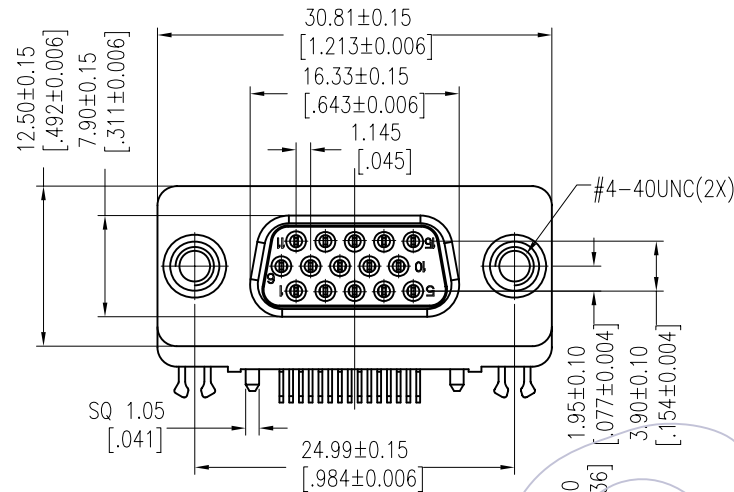
XX XX XX

Year Month Date

## Ordering Information

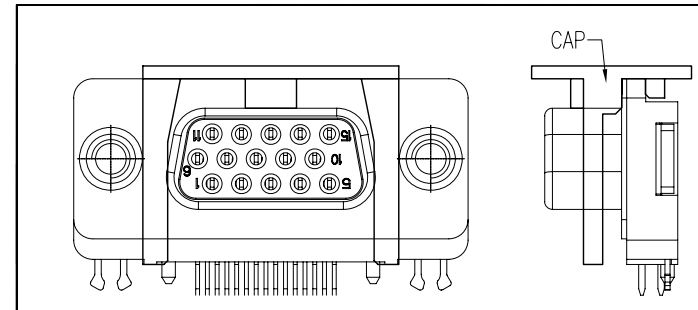
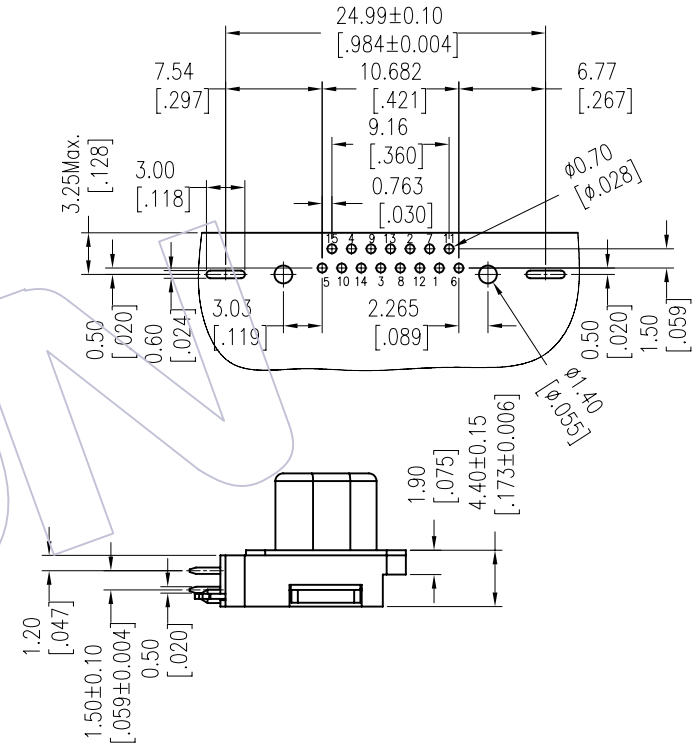
6215-15 F M N XX X 05

No. of Pins	Product Type	Contact Plating	Insulator Color
	M=With Revit Without Screw	S0=Gold Flash/Tin S3=10u"Gold/Tin S4=15u"Gold/Tin S5=30u"Gold/Tin SN=Tin	B:Black U:Blue



### Recommended P.C.B Layout (Top Side)

(PCB BOARD TOLERANCE ±0.05)



				OPERATION	DRAW	DATE	SCALE	FIT	PART NO.
				x.x ±0.40	JYHuang	2012/12/18	UNIT	mm	6215-15FMNXXX05
				x.xx ±0.25	CHECK	DATE	SIZE	A4	TITLE:
				x.xxx ±0.15	APPROVE	DATE	SHEET	1/1	SLIM HIGH D-SUB FEMALE 15P 90° DIP
AO	2012/12/18	NEW	-----	Angle ± 3'			PROJ.		Customer NO.
REV	DATE	MODIFICATION DESCRIPTION	CHANGE	DIM TOL					