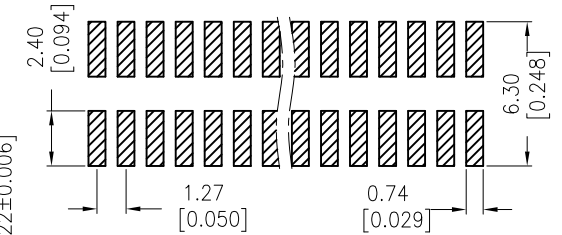
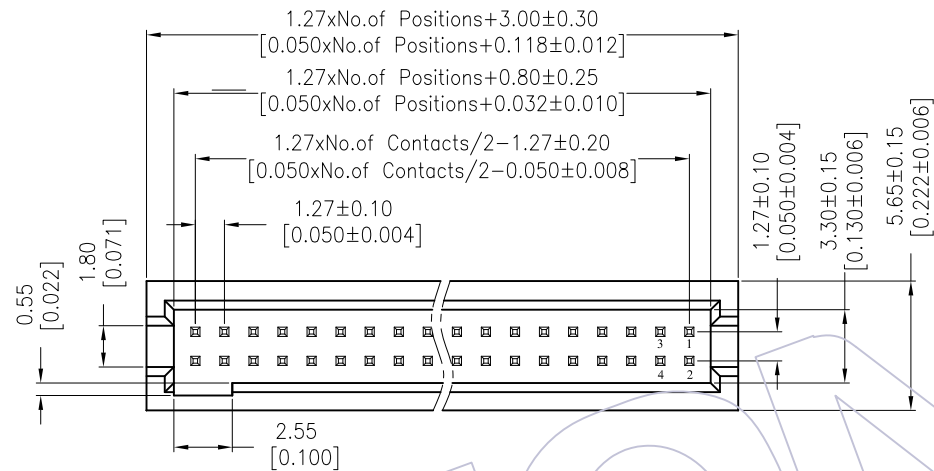


# HSF

NOTES:  
 Current Rating:1AMP  
 Contact Resistance:20mΩ max  
 Withstand Voltage:500V AC/DC  
 Insulation Resistance:1000MΩ min  
 Operation Temperature:-40°C to +105°C

Contact Material:Brass  
 Contact plating:Au or Sn Over Ni  
 Insulator Material:PA9T+30%GF(UL94V-0)  
 6 To 8 Pin No "D" Configuration  $\Delta$

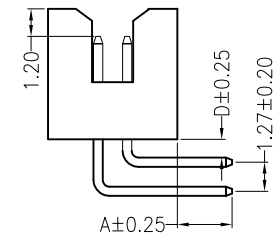
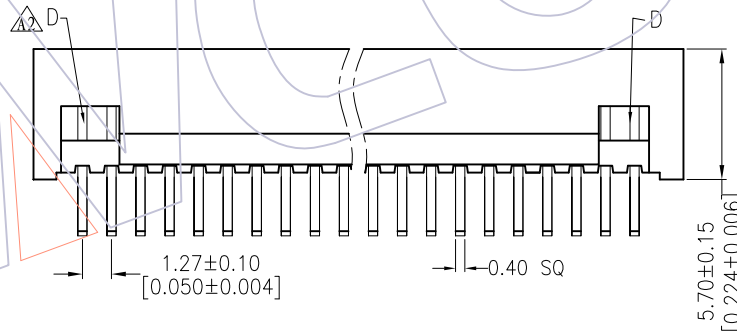
Recommended P.C.B Layout (Top Side)  
 (PCB BOARD TOLERANCE  $\pm 0.05$ )



## Ordering Information

3131- XX R XX B K 00 X 1

No.of Pins	Contact Plating	Color Insulator	Packing
6 8	G0=Gold Flash	B=Black	T=Tube
10 34	G3=10u"Gold	U=Blue	P=Tube+CAP
14 40	G4=15u"Gold	W=White	R=Tape&Reel+CAP
20 44	SN=Tin		
24 50			
26 60			
30 64			
32 80			
$\Delta$ 100			



Item	Pitch	Mating	A	D
Standard	1.27	2344	2.40	0.80
Alternate				

REV	DATE	MODIFICATION DESCRIPTION	CHANGE	OPERATION	DRAW	DATE	SCALE	FIT	PART NO.
A2	2013/09/27	Modify	$\Delta$	X.X	Tsingsn	2013/09/27	UNIT	mm	3131-XXRXXBK00X1
A1	2012/12/28	MODIFY THE NOTES	$\Delta$	X.XX	CHECK	DATE	SIZE	A4	
A0	2012/09/18	NEW	—	X.XXX	APPROVE	DATE	SHEET	1/1	1.27 BOX HEADER 90° H=5.70
				Angle			PROJ.	$\phi$	Customer NO.
				DIM					
				TOL					