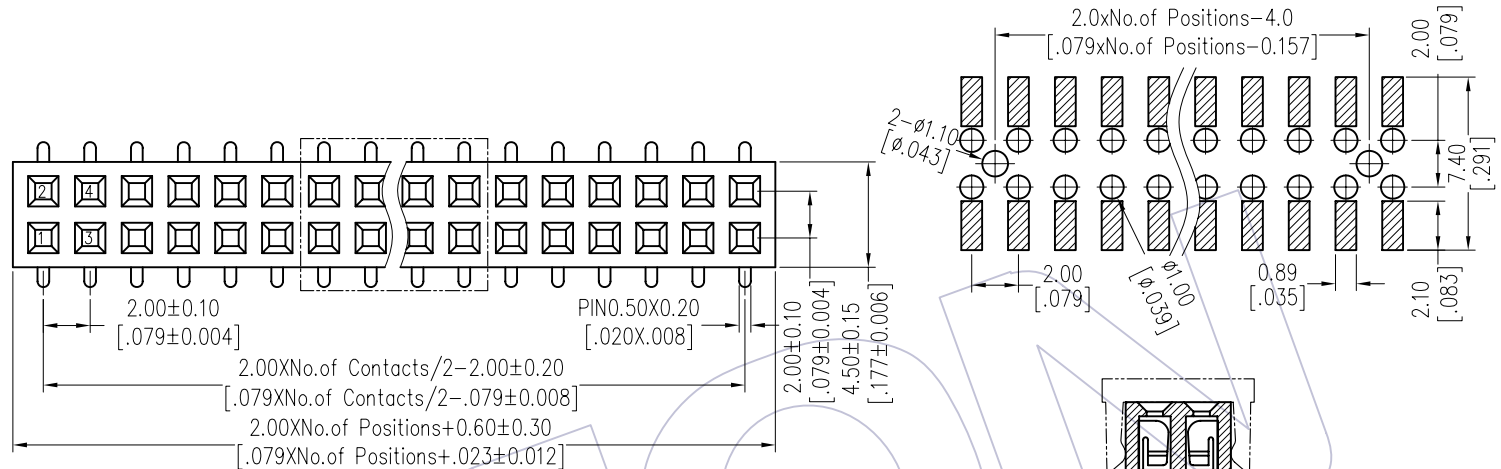


HSF

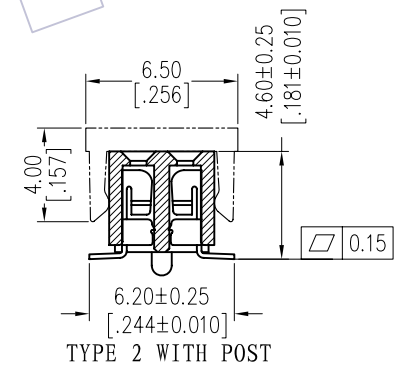
NOTES:
 Current Rating: 2.0AMP
 Contact Resistance: 20mΩ Max
 Withstand Voltage: 500V AC/DC
 Insulation Resistance: 1000MΩ Min
 Operation Temperature: -40°C to +105°C

Contact Material: Phosphor Bronze
 Contact plating: Au Or Sn over Ni
 Insulator Material: PA9T+30%G.F UL94V-0

Recommended P.C.B Layout (Top Side)
 (PCB BOARD TOLERANCE ±0.05)



TYPE 1 W/O POST



TYPE 2 WITH POST

Ordering Information

2243-2 XX M XX CUN T X

No. of Pins per Row: 02-40Pin

Contact Plating:

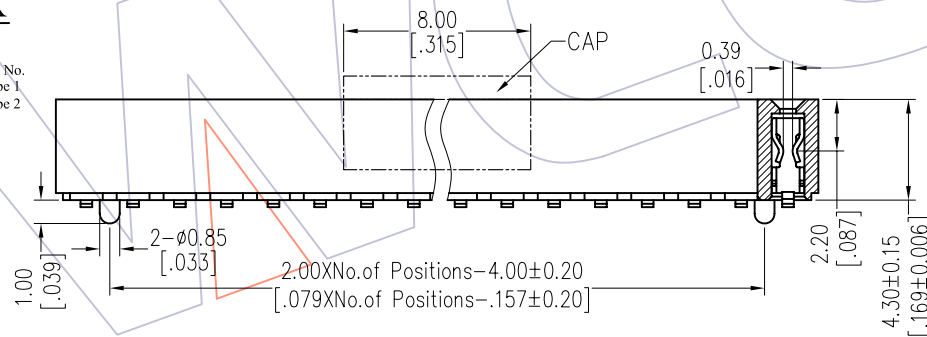
- G0=Gold Flash
- G3=10μ"Gold
- G4=15μ"Gold
- G5=30μ"Gold
- S0=Gold Flash/Tin
- S3=10μ"Gold/Tin
- S4=15μ"Gold/Tin
- S5=30μ"Gold/Tin
- SN=Tin
- SM=Matte Tin

Packing:

- T=Tube
- P=Tube+CAP
- R=Tape&Reel+CAP

Series No.

- 1=Type 1
- 2=Type 2



Item	Pitch	Mating
Standard	2.00	1215/1220
Alternate		

TITLE	PART NO.
TYPE 1	2243-2XXMXXCUNT1
TYPE 2	2243-2XXMXXCUNT2

OPERATION	DRAW	DATE	SCALE	FIT	PART NO.
x.x ±0.40	JYHuang	2012/07/14	UNIT	mm	SEE TABLE
x.xx ±0.25	CHECK	DATE	SIZE	A4	TITLE: FH2.00 DUAL ROW 180° SMT H=4.3 W=4.5
x.xxx ±0.15	APPROVE	DATE	SHEET	1/1	Customer NO.
Angle ± 3°			PROJ.		
DIM TOL					

REV	DATE	MODIFICATION DESCRIPTION	CHANGE
AO	2012/07/14	NEW	-----