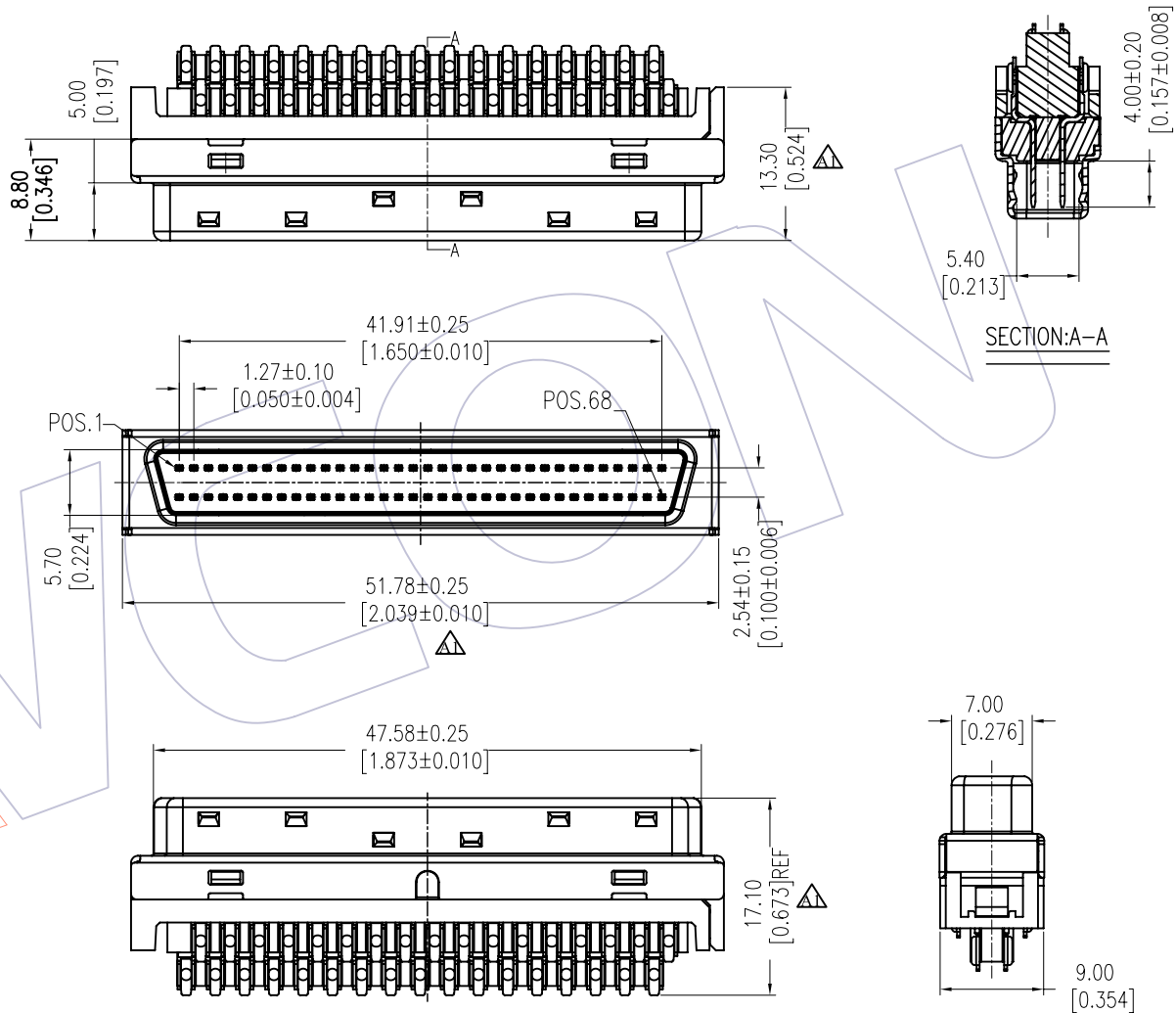


**HSF**

**NOTES:**

Current Rating:1AMP  
 Contact Resistance:20mΩ max  
 Withstand Voltage:500V AC/DC  
 Insulation Resistance:1000MΩ min  
 Operation Temperature:-40℃ to +105℃

Contact Material:Phosphor Bronze  
 Contact plating:Au or Sn over Ni  
 Insulator Material:PBT+30%GF(UL94V-0)



**Ordering Information**

6310 - 068 S S S4 M N A 01

No. of Pins  
68Pin

Contact Plating  
 S4=15u"Gold/Tin  
 S5=30u"Gold/Tin

Packing  
 A=Tray

REV	DATE	MODIFICATION DESCRIPTION	CHANGE	OPERATION		DRAW TANG	DATE	SCALE	FIT	PART NO.
				X.X	±0.40					
A1	2012/04/19	MODIFY	---	X.XX	±0.25	CHECK	2012/04/19	UNIT	mm	6310-068SSSXMA01
A0	2012/03/19	NEW	---	X.XXX	±0.15		DATE	SIZE	inch	
				Angle	± 3'	APPROVE	DATE	SHEET	1/1	TITLE:
				DIM	TOL			PROJ.	⌀	1.27x2.54 SCSI 68P Male Soldering Type
										Customer NO.

**WCON**