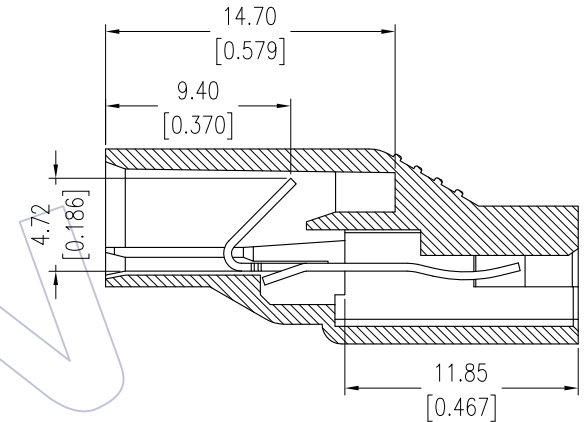
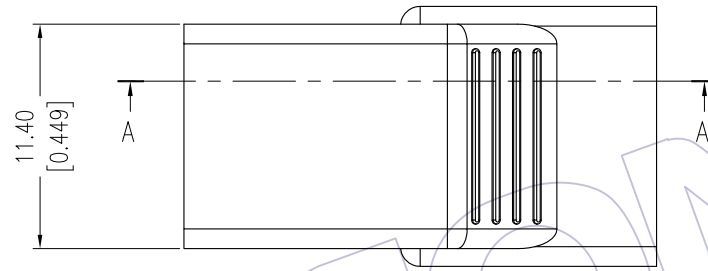


# HSF

**NOTES:**

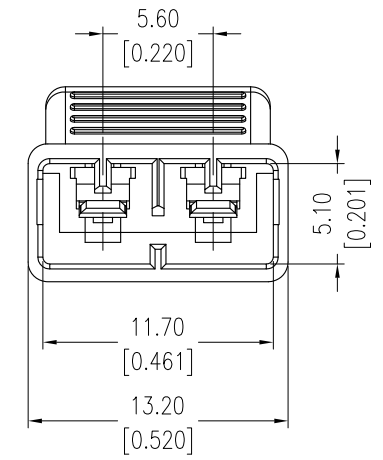
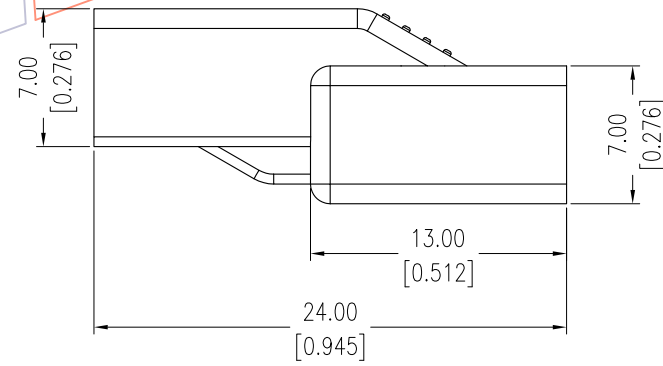
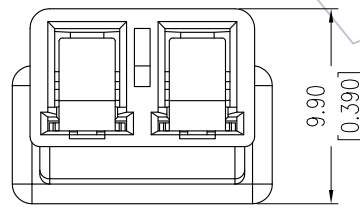
- Rated Current: 3.0 AMP @120V.
- Contact Resistance: 30mΩ Max.
- Withstand Voltage: 600V MAX.
- Insulation Resistance: 1000MΩ Min.
- Operation Temperature: -40°C to +105°C
- Applicable Wire Range:
  - Solid Wire: 18 AWG
  - Tin Bonded: 18 AWG(≤16 Strand)
- Contact Material: Phosphor Bronze(C5191)
- Contact Plating: Sn over Ni
- Main Body Material: PA66 UL94V-0



## Ordering Information

**L560 - H - XX - C - 01**

- No. of Pins
  - 02: 2 pin
  - 03: 3 pin
- Color
  - C= Orange



				OPERATION	DRAW	DATE	SCALE	Fit	PART NO.
				x.x ±0.40	Allen	2015/06/15	UNIT	mm	L560-HXXC01
				x.xx ±0.25	CHECK	DATE	SIZE	A4	TITLE:
				x.xxx ±0.15	APPROVE	DATE	SHEET	1/1	LED CONN.FEMALE L=24.0
AO	2015/06/15	NEW		Angle ± 3'			PROJ.	⊕	Customer NO.
REV	DATE	MODIFICATION DESCRIPTION	CHANGE	DIM TOL					