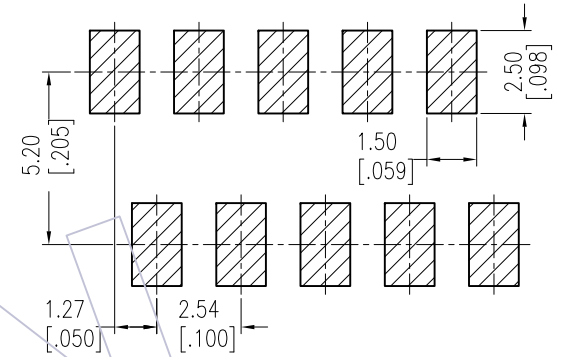
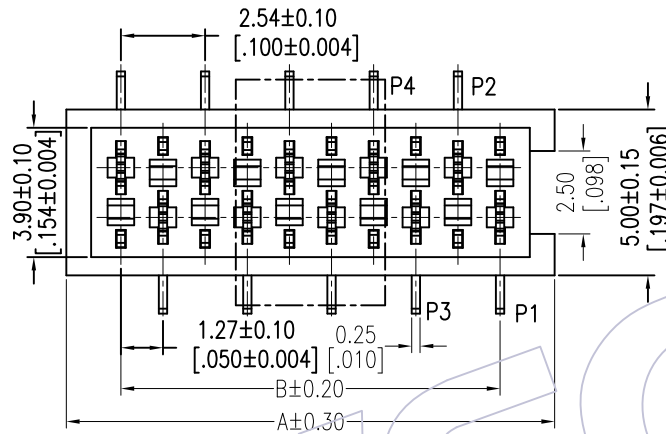


# HSF

NOTES:  
 Current Rating: 1.0AMP  
 Contact Resistance: 20mΩ Max  
 Withstand Voltage: 500V AC/DC  
 Insulation Resistance: 1000MΩ Min  
 Operation Temperature: -40°C to +105°C

Contact Material: Phosphor Bronze  
 Contact plating: Sn Over Ni  
 Insulator Material: PA46+30%G.F UL94V-0

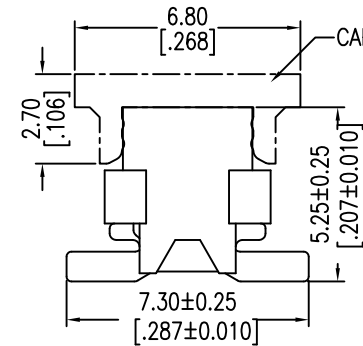
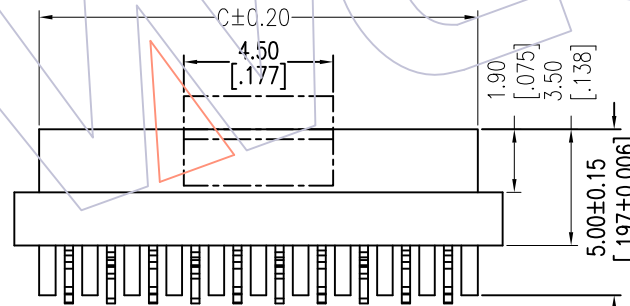
Recommended P.C.B Layout (Top Side)  
 (PCB BOARD TOLERANCE ±0.05)



## Ordering Information

3900-XX FM SN E N T 01

No. of Pins	Contact Plating	Insulator Material	Packing
04P 12P 06P 14P 08P 16P 10P 18P 20P	SN=Tin	E=PA46	T=Tube P=Tube+CAP R=Tape&Reel+CAP



Circuit	Part No.	Dimension			Q'ty /Tube
		A	B	C	
04	3900-04FMSNENT01	7.00	3.81	5.60	82
06	3900-06FMSNENT01	9.54	6.35	8.14	60
08	3900-08FMSNENT01	12.08	8.89	10.68	48
10	3900-10FMSNENT01	14.62	11.43	13.22	39
12	3900-12FMSNENT01	17.16	13.97	15.76	33
14	3900-14FMSNENT01	19.70	16.51	18.30	29
16	3900-16FMSNENT01	22.24	19.05	20.84	26
18	3900-18FMSNENT01	24.78	21.59	23.38	23
20	3900-20FMSNENT01	27.32	24.13	25.92	21

REV	DATE	MODIFICATION DESCRIPTION	CHANGE	OPERATION	DRAW	DATE	SCALE	FIT	PART NO.
				x.x ±0.40	JYHuang	2014/05/28	UNIT	mm	SEE TAB
A1	2014/05/28	MICRO MATCH--MINI MATCH	-----	x.xx ±0.25	CHECK	DATE	SIZE	A4	TITLE: Mini Match Socket 180° SMT Without Latch
AO	2012/10/11	NEW	-----	x.xxx ±0.15	APPROVE	DATE	SHEET	1/1	Customer NO.
				Angle ± 3'			PROJ.		
				DIM TOL					