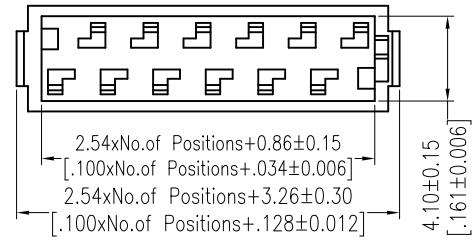
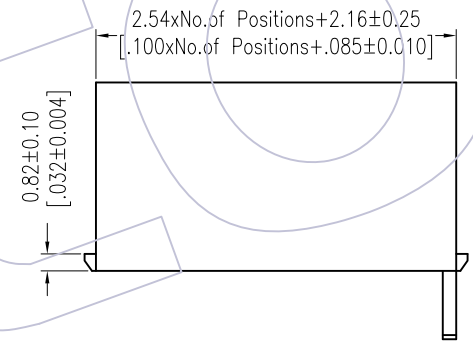
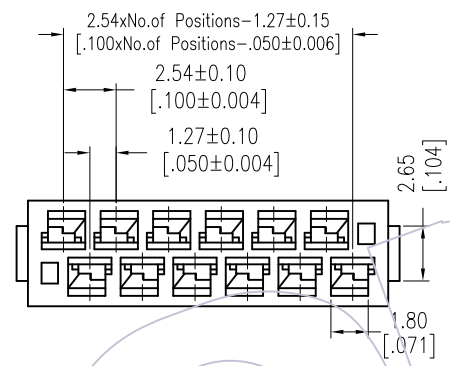
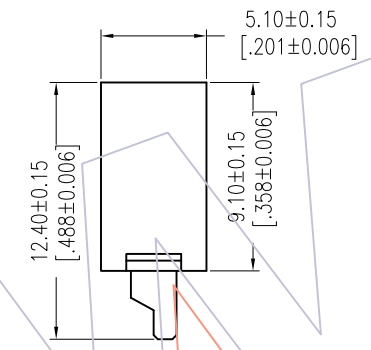
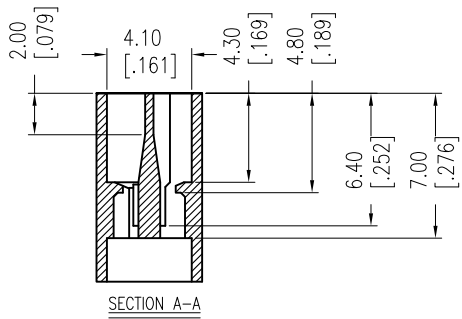


HSF

NOTES:
 Current Rating: 1.0AMP
 Contact Resistance: 20mΩ Max
 Withstand Voltage: 500V AC/DC
 Insulation Resistance: 1000MΩ Min
 Operation Temperature: -40°C to +105°C

Insulator Material: PBT+30%G.F UL94V-0
 Used with: 3900-T (Crimp Terminal)



Ordering Information

3900 - H XX R 01

No. of pins

REV	DATE	MODIFICATION DESCRIPTION	CHANGE	OPERATION	DRAW	DATE	SCALE	FIT	PART NO.
				x.X ±0.40	JYHuang	2014/05/28	UNIT	mm	3900-HXXR01
A1	2014/05/28	MICRO MATCH--MINI MATCH		x.XX ±0.25	CHECK	DATE	SIZE	A4	TITLE: MINI MATCH CRIMP HOUSING
AO	2012/10/11	NEW	-----	x.XXX ±0.15			SHEET	1/1	Customer NO.
				Angle ± 3'	APPROVE	DATE	PROJ.		
				DIM TOL					