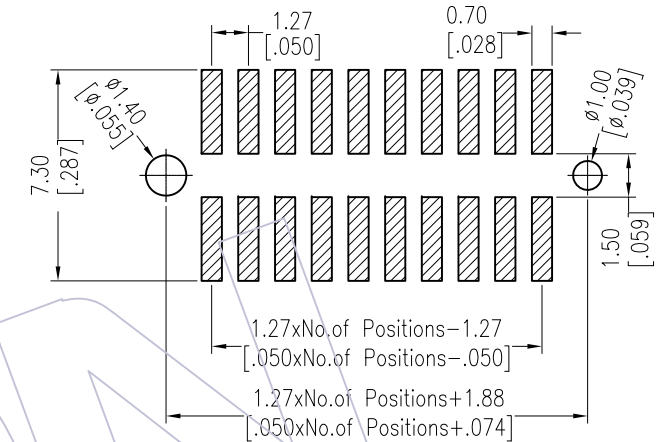
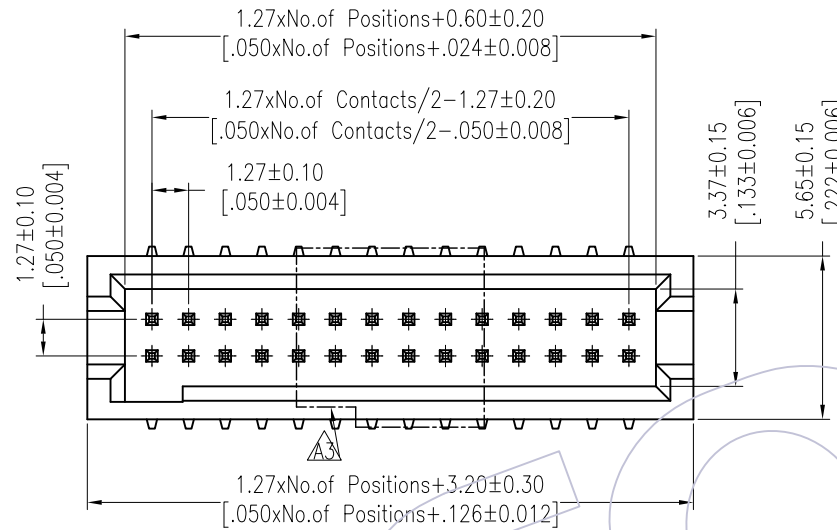


# HSF

NOTES:  
 Current Rating:1AMP  
 Contact Resistance:20mΩ max  
 Withstand Voltage:500V AC/DC  
 Insulation Resistance:1000MΩ min  
 Operation Temperature:-55°C to +125°C

Contact Material:Phosphor Bronze  
 Contact plating:Au or Sn Over Ni  
 Insulator Material:LCP+30%G.F.(UL94V-0)

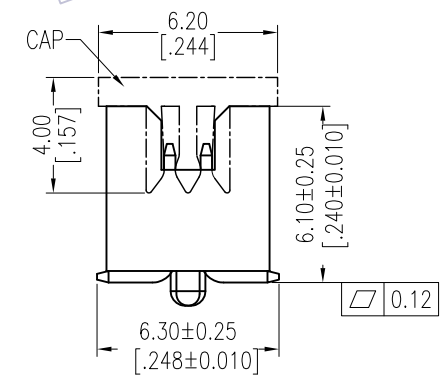
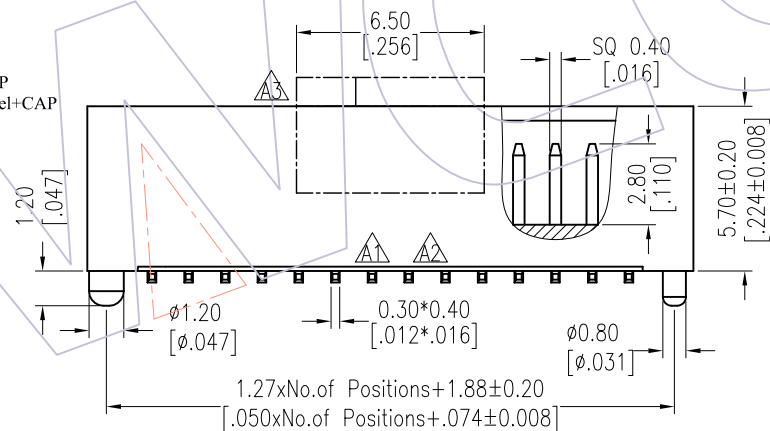
Recommended P.C.B Layout (Top Side)  
 (PCB BOARD TOLERANCE ± 0.05)



## Ordering Information

3131B-XX M XX X K00 X 2

No. of Pins	Contact Plating	Color Insulator	Packing
10	G0=Gold Flash	B=Black	T:Tube
14	G3=10u"Gold	U=Blue	P:Tube+CAP
16	G4=15u"Gold	W=White	R:Tape&Reel+CAP
20	G5=30u"Gold		
24	S0=Gold Flash/Tin		
26	S3=10u"Gold/Tin		
30	S4=15u"Gold/Tin		
32	S5=30u"Gold/Tin		
	SN=Tin		



REV	DATE	MODIFICATION DESCRIPTION	CHANGE	OPERATION	DRAW	DATE	SCALE	FIT	PART NO.
A3	2012/08/31	Modify CAP							
A2	2011/07/05	Modify drawing		X.X	±0.40	2012/08/31	UNIT	mm	3131B-XXMXXXK00X2
A1	2010/12/23	Modify drawing		X.XX	±0.25	DATE	inch	TITLE:	
A0	2010/06/07	NEW		X.XXX	±0.15	DATE	SIZE	A4	1.27mm Box Header SMT
				Angle	± 3'	DATE	SHEET	1/1	H=5.70 With Post
				DIM	TOL	DATE	PROJ.		Customer NO.