

HSF

NOTES:
 Current Rating:2.0AMP
 Contact Resistance:20mΩ max
 Withstand Voltage:500V AC/DC
 Insulation Resistance:1000MΩ min
 Operation Temperature:-40°C to +105°C

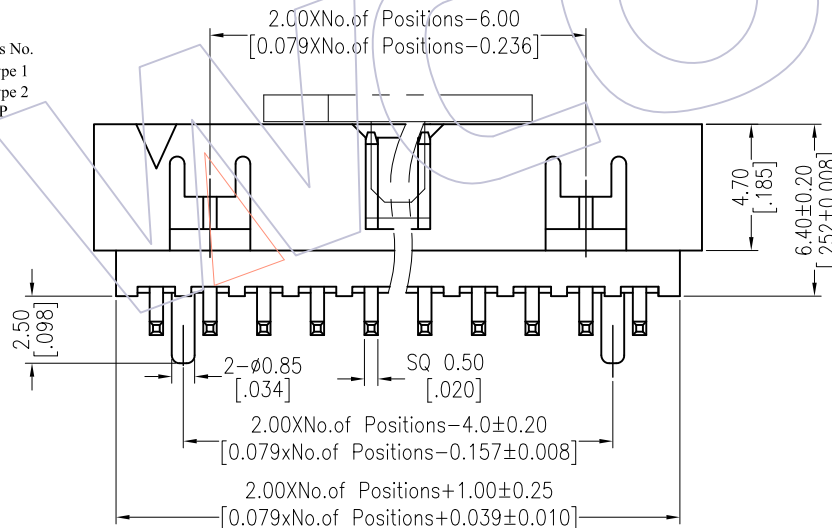
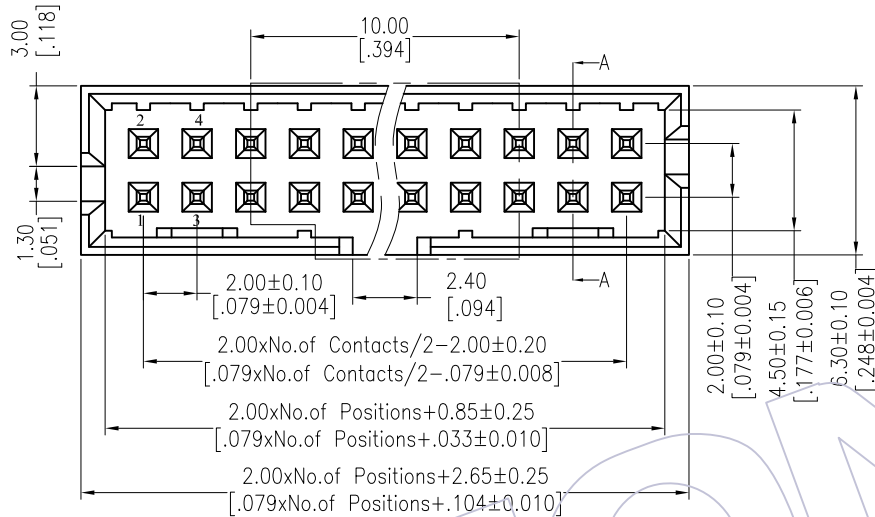
Contact Material:Brass
 Contact plating:Au or Sn Over Ni
 Insulator Material:PA9T+30%GF(UL94V-0)
 CAP Material:LCP+30%G.F(UL94V-0)

Ordering Information

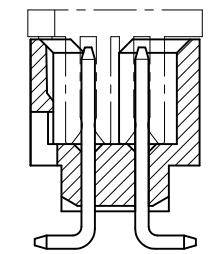
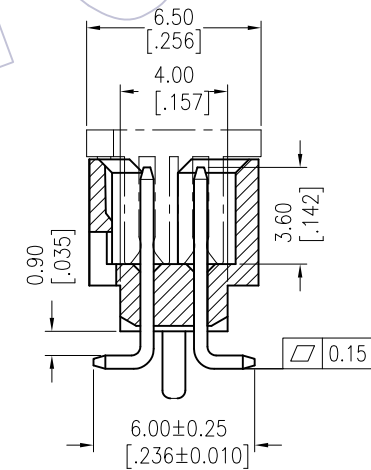
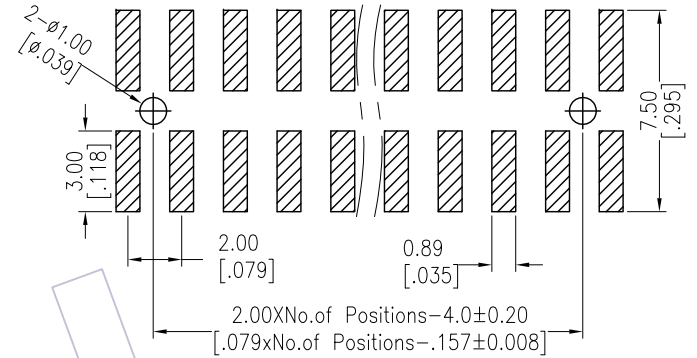
3121-XX M XX B K00 X X

No. of Pins	Contact Plating	Color Insulator	Packing	Series No.
14 30	G0=Gold Flash	B=Black	T=Tube	1=Type 1
16 34	G3=10u"Gold		P=Tube+CAP	2=Type 2
20 40	G4=15u"Gold		R=Tape&REEL+CAP	
24 44	G5=30u"Gold			
26 50	S0=Gold Flash/Tin			
	S3=10u"Gold/Tin			
	S4=15u"Gold/Tin			
	S5=30u"Gold/Tin			
	SN=Tin			

Item	Pitch	Mating
Standard	2.00	5223/5226
Alternate		



Recommended P.C.B Layout(Top Side)
 (PCB BOARD TOLERANCE ± 0.05)



OPERATION		DRAW		DATE		SCALE	FIT	PART NO.	
x.x	±0.40	Allan		2015/08/27		UNIT	mm	3121-XXMXXBK00XX	
x.xx	±0.25	CHECK		DATE		SIZE	inch	TITLE:	
x.xxx	±0.15	APPROVE		DATE		SHEET	1/1	2.00 BOX HEADER SMT H=6.4	
Angle	± 3'					PROJ.	Customer NO.		
DIM	TOL								

REV	DATE	MODIFICATION DESCRIPTION	CHANGE
A1	2015/08/27	Modify	△
A0	2012/09/24	NEW	—