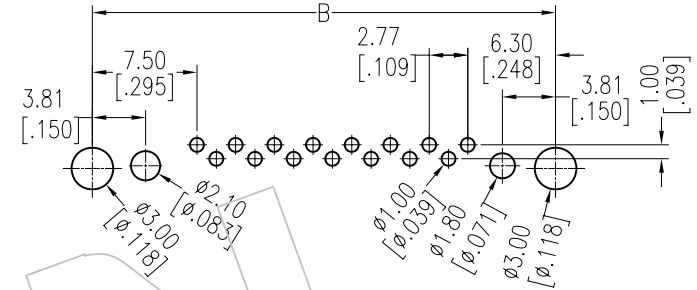
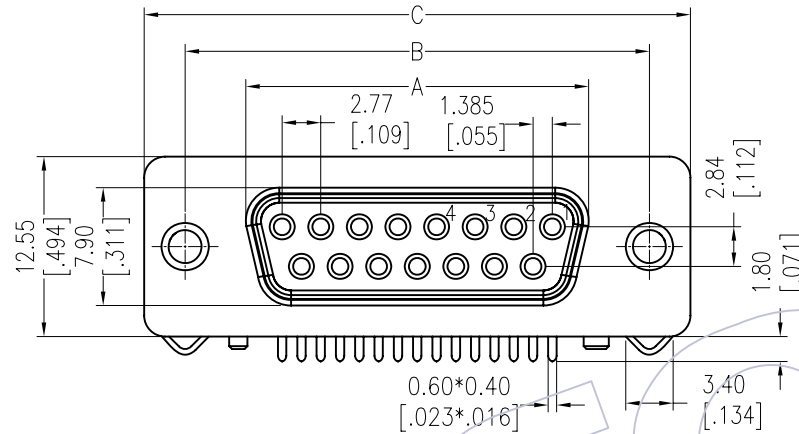


HSF

NOTES:
 Current Rating: 3.0AMP
 Contact Resistance: 25mΩ Max
 Withstand Voltage: 500V AC/DC
 Insulation Resistance: 1000MΩ Min
 Operation Temperature: -55°C to +105°C

Contact Material: Brass
 Contact plating: Au Or Sn over Ni
 Insulator Material: PA66+30%G.F UL94V-0
 Sheel: Cold Roller Steel, Ni Plated
 Revit/Harpoon: Brass, Sn Over Ni Plated

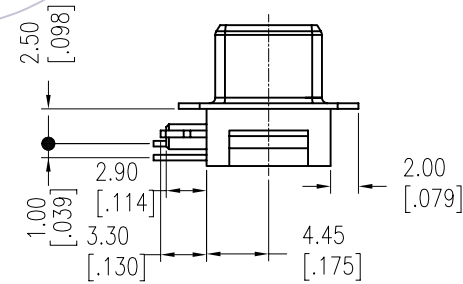
Recommended P.C.B Layout (Top Side)
 (PCB BOARD TOLERANCE ±0.05)



Ordering Information

6225-XX F M N XX B 01

No. of Pins 09, 15, 25P	Product Type M=With Revit Without Screw	Contact Plating S0=Gold Flash/Tin S3=10u"Gold/Tin S4=15u"Gold/Tin S5=30u"Gold/Tin SN=Tin	Insulator Color B:Black U:Blue
----------------------------	---	---	--------------------------------------



No. of Positions	DIM "A"	DIM "B"	DIM "C"
09	16.30	24.99	30.81
15	24.66	33.32	39.14
25	38.38	47.04	53.04

REV	DATE	MODIFICATION DESCRIPTION	CHANGE	OPERATION	DRAW	DATE	SCALE	FIT	PART NO.
				X.X ±0.40	JYHuang	2012/12/06	UNIT	mm	6225-XXFMNXXB01
				X.XX ±0.25	CHECK	DATE	SIZE	A4	TITLE: D-SUB SLIM CONNECTOR FEMALE 90° DIP
				X.XXX ±0.15	APPROVE	DATE	SHEET	1/1	Customer NO.
				Angle ± 3'			PROJ.		
				DIM TOL					