

# HSF

**NOTES:**

Current Rating: 1.0AMP  
 Contact Resistance: 20mΩ Max  
 Withstand Voltage: 500V AC/DC  
 Insulation Resistance: 1000MΩ Min  
 Operation Temperature: -40°C to +105°C

Contact Material: Brass  
 Contact plating: Au Or Sn over Ni  
 Insulator Material: PA9T+30%G.F UL94V-0

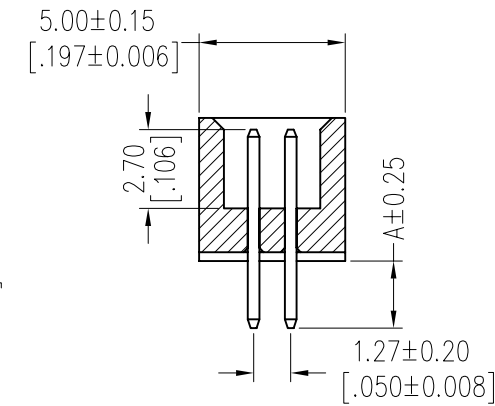
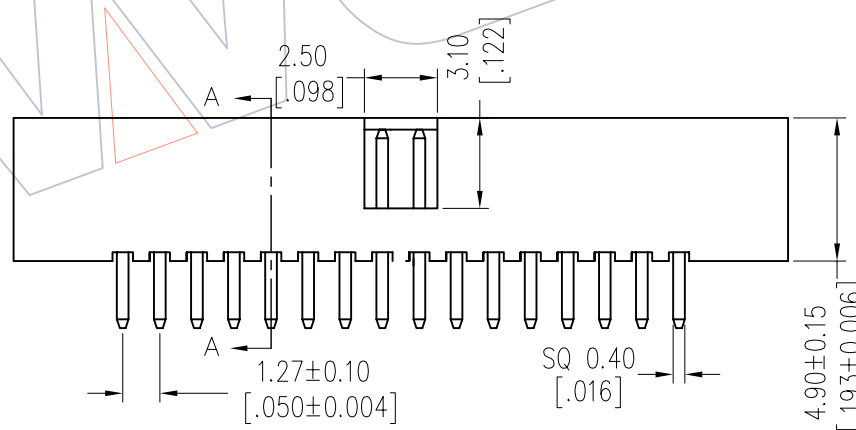
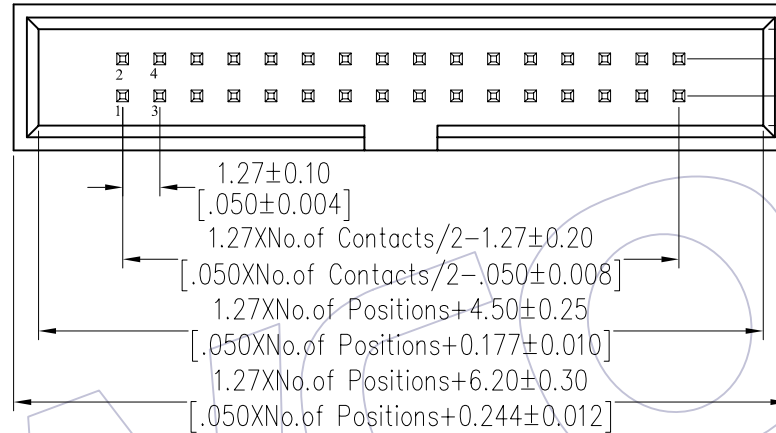
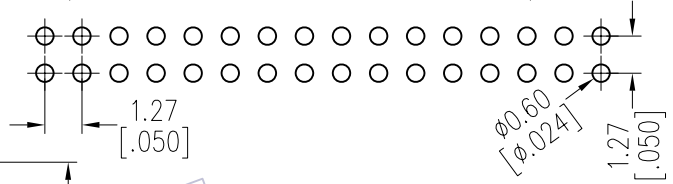
## Ordering Information

3130- XX S XX B K 00 X 1

| No. of Pins | Contact Plating   | Color Insulator | Packing |
|-------------|-------------------|-----------------|---------|
| 10 34       | G0=Gold Flash     | B=Black         | T=Tube  |
| 14 40       | G3=10u"Gold       | W=White         |         |
| 16 44       | G4=15u"Gold       |                 |         |
| 20 50       | G5=30u"Gold       |                 |         |
| 24 60       | S0=Gold Flash/Tin |                 |         |
| 26 64       | S3=10u"Gold/Tin   |                 |         |
| 30 80       | S4=15u"Gold/Tin   |                 |         |
| 32 100      | S5=30u"Gold/Tin   |                 |         |
|             | SN=Tin            |                 |         |

| Item      | Pitch | Mating    | Dip(A) |
|-----------|-------|-----------|--------|
| Standard  | 1.27  | 5232/2334 | 2.30   |
| Alternate |       |           |        |

Recommended P.C.B Layout(Top Side)  
 (PCB BOARD TOLERANCE±0.05)



| REV | DATE | MODIFICATION DESCRIPTION | CHANGE | OPERATION   | DRAW    | DATE       | SCALE | FIT | PART NO.                    |
|-----|------|--------------------------|--------|-------------|---------|------------|-------|-----|-----------------------------|
|     |      |                          |        | X.X ±0.40   | JYHuang | 2012/09/18 | UNIT  | mm  | 3130-XXSXXBK00XX            |
|     |      |                          |        | X.XX ±0.25  | CHECK   | DATE       | SIZE  | A4  | TITLE:                      |
|     |      |                          |        | X.XXX ±0.15 | APPROVE | DATE       | SHEET | 1/1 | 1.27 BOX HEADER 180° H=4.90 |
|     |      |                          |        | Angle ± 3°  |         |            | PROJ. |     | Customer NO.                |
|     |      |                          |        | DIM TOL     |         |            |       |     |                             |