

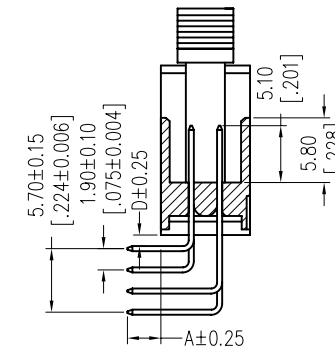
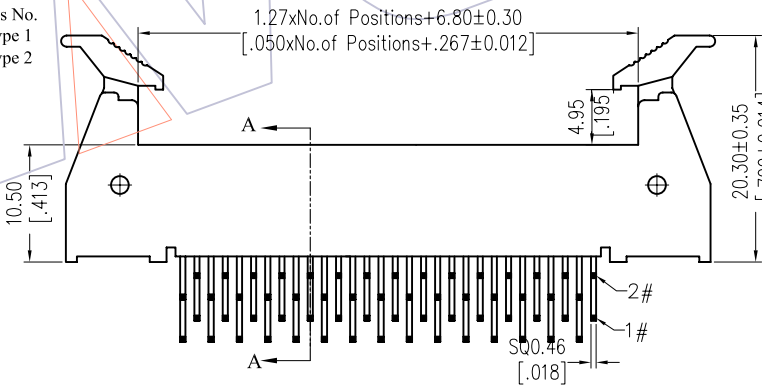
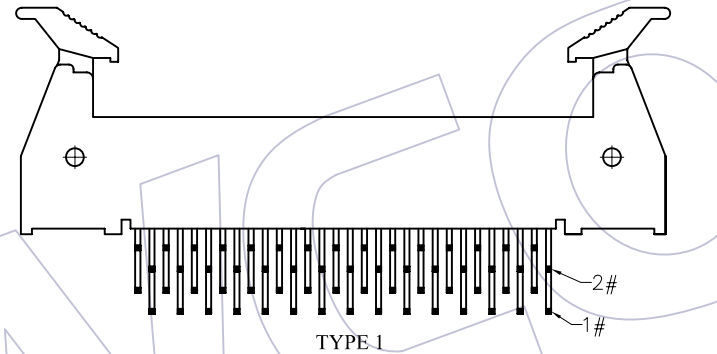
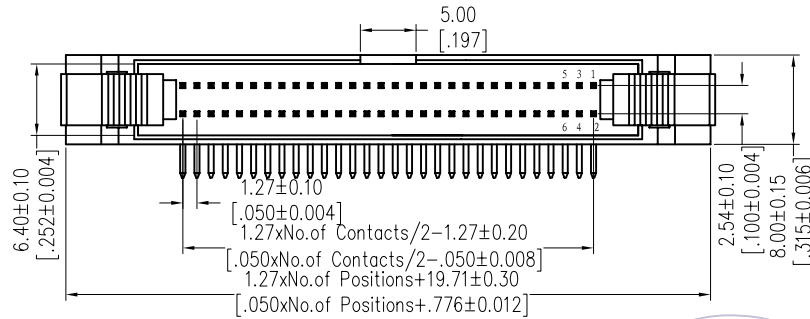
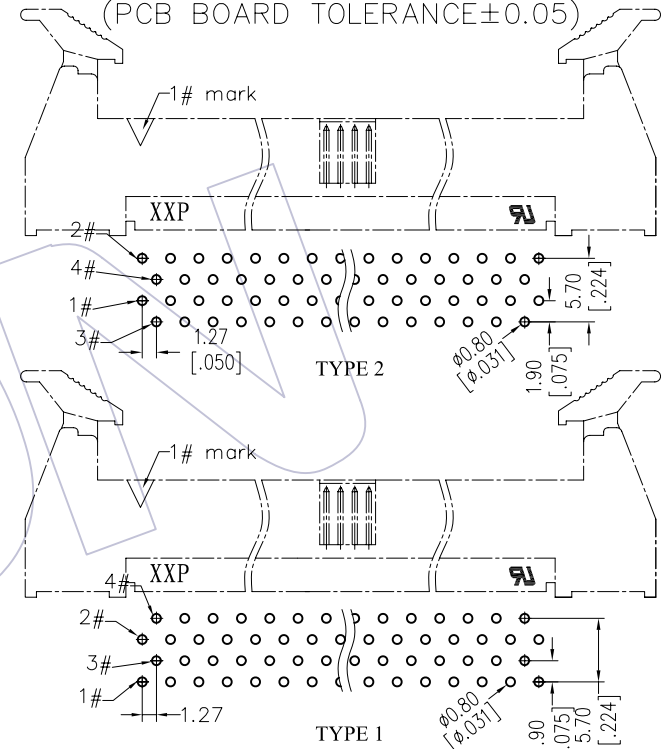
HSF

NOTES:

Current Rating: 1.0AMP
 Contact Resistance: 20mΩ Max
 Withstand Voltage: 500V AC/DC
 Insulation Resistance: 1000MΩ Min
 Operation Temperature: -40°C to +105°C

Contact Material: Brass
 Contact plating: Au Or Sn over Ni
 Insulator Material: PA9T+30%G.F UL94V-0

Recommended P.C.B Layout(Top Side)
 (PCB BOARD TOLERANCE±0.05)



Ordering Information

3241-XX R XX BS XX

No. of Pins	Contact Plating	Color Insulator	Packing	Series No.
10 34	G0=Gold Flash	B=Black	T=Tube	1=Type 1
12 40	G3=10u"Gold	U=Blue		2=Type 2
14 44	G4=15u"Gold	W=White		
16 50	G5=30u"Gold			
20 60	S0=Gold Flash/Tin			
24 64	S3=10u"Gold/Tin			
26 80	S4=15u"Gold/Tin			
30 100	S5=30u"Gold/Tin			
32	SN=Tin			

Item	Pitch	Mating
Standard	1.27X2.54	5242
Alternate		

Dimension antitheses list		
ITEM	A	D
Standard	3.00	1.00
Alternate		

OPERATION	DRAW	DATE	SCALE	FIT	PART NO.
x.x ±0.40	JYHuang	2012/10/05	UNIT mm		3241-XXRXXBSXX
x.xx ±0.25	CHECK	DATE	SIZE A4		TITLE: 1.27*2.54 EJECTOR HEADER 90° FOUR ROW
x.xxx ±0.15	APPROVE	DATE	SHEET 1/1		Customer NO.
Angle ± 3'			PROJ.		
DIM TOL					

REV	DATE	MODIFICATION DESCRIPTION	CHANGE
A0	2012/10/05	NEW	-----