

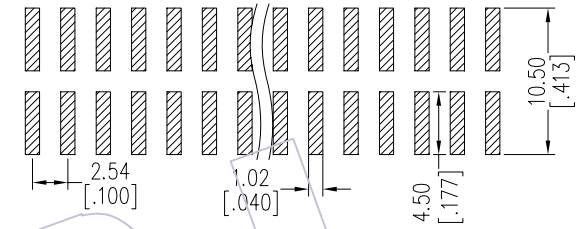
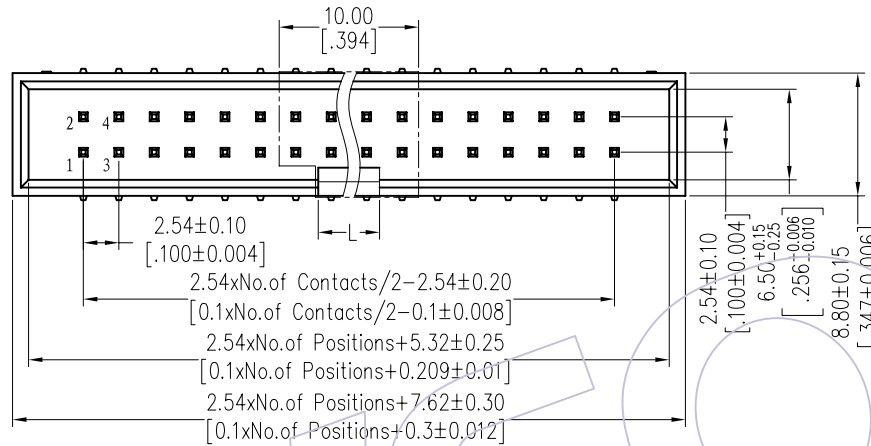
# HSF

**NOTES:**

Current Rating: 3.0AMP  
 Contact Resistance: 20mΩ Max  
 Withstand Voltage: 1000V AC/DC  
 Insulation Resistance: 1000MΩ Min  
 Operation Temperature: -40°C to +105°C

Contact Material: Brass  
 Contact plating: Au Or Sn over Ni  
 Insulator Material: PA9T+30%G.F UL94V-0

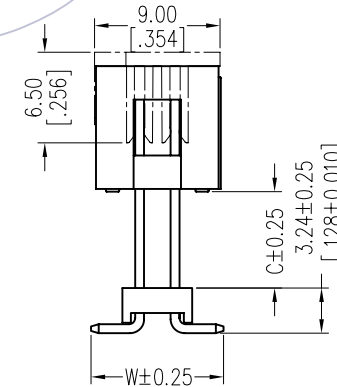
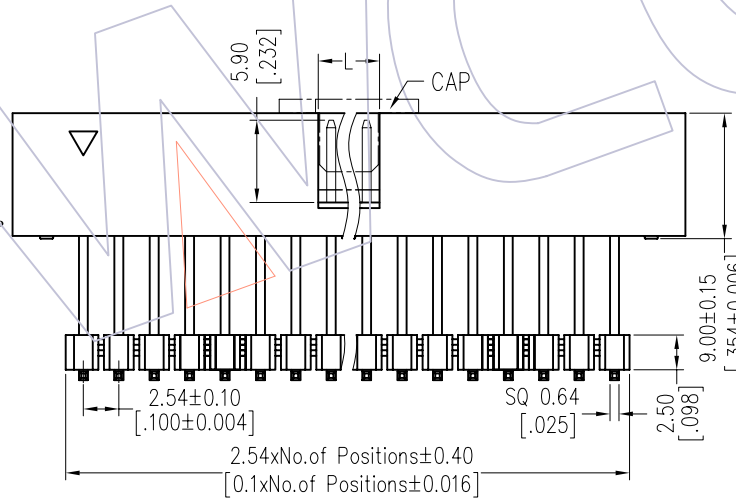
Recommended P.C.B Layout(Top Side)  
 (PCB BOARD TOLERANCE±0.05)



## Ordering Information

3110-XX M XX B D00 X 1

- |             |                   |                 |                 |
|-------------|-------------------|-----------------|-----------------|
| No. of Pins | Contact Plating   | Color Insulator | Packing:        |
| 6P 24P      | G0=Gold Flash     | B=Black         | T=Tube          |
| 8P 26P      | G3=10u"Gold       | G=Gray(427C)    | P=Tube+CAP      |
| 10P 30P     | G4=15u"Gold       | E=Gray(413C)    | R=Tape&Reel+CAP |
| 12P 34P     | G5=30u"Gold       |                 |                 |
| 14P 40P     | S0=Gold Flash/Tin |                 |                 |
| 16P 50P     | S3=10u"Gold/Tin   |                 |                 |
| 18P 60P     | S4=15u"Gold/Tin   |                 |                 |
| 20P 64P     | S5=30u"Gold/Tin   |                 |                 |
|             | SN=Tin            |                 |                 |



Item	Pitch	Mating
Standard	2.54	5212/2185
Alternate		

Dimension antitheses list			
ITEM	W	C	L
Standard	9.50		6-8P=4.0
Alternate			10-64P=4.4

REV	DATE	MODIFICATION DESCRIPTION	CHANGE	OPERATION	DRAW	DATE	SCALE	FIT	PART NO.
				x.x ±0.40	JYHuang	2012/09/25	UNIT	mm	3110-XXMXXBD00X1
				x.xx ±0.25	CHECK	DATE	SIZE	A4	
				x.xxx ±0.15			SHEET	1/1	TITLE: 2.54 BOX HEADER SMT H=9.0 ADD HOUSING
AO	2012/09/25	NEW	-----	Angle ± 3°	APPROVE	DATE	PROJ.	Customer NO.	
				DIM TOL					