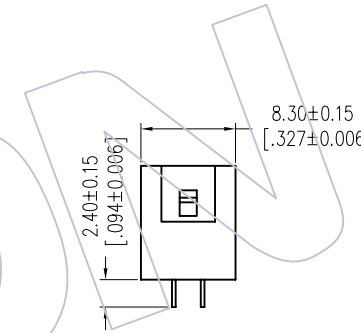
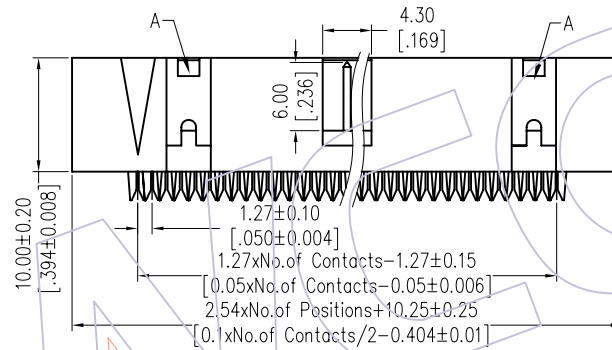
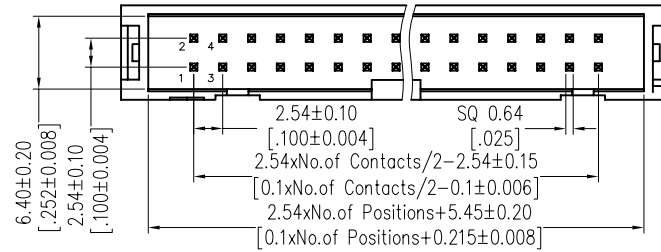


HSF

NOTES:
 Current Rating: 3.0AMP
 Contact Resistance: 20mΩ Max
 Withstand Voltage: 1000V AC/DC
 Insulation Resistance: 1000MΩ Min
 Operation Temperature: -40°C to +105°C

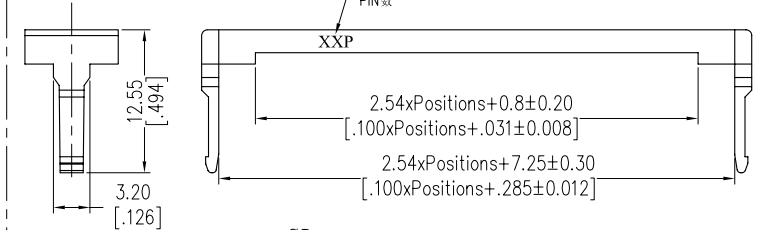
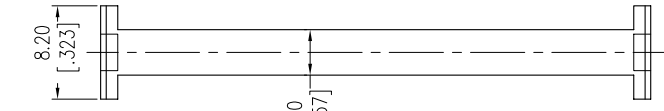
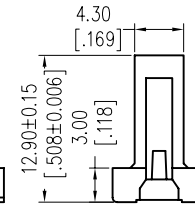
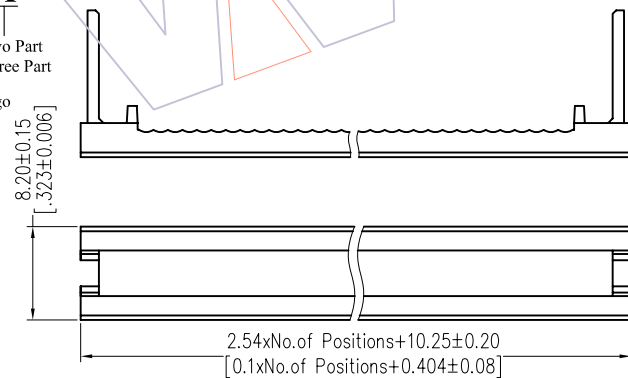
Contact Material: Brass
 Contact plating: Au over Ni
 Insulator Material: PBT+30%G.F UL94V-0
 10~16Pin Without "A"



Ordering Information

3810-XX XX N G N 0 X

No. of Pins: 10 30, 14 34, 16 40, 20 50, 24 60, 26 64
 Contact Plating: S0=Gold Flash/Ni, S3=10u"Gold/Ni, S4=15u"Gold/Ni, S5=30u"Gold/Ni
 Insulator Colour: G=Gray(427C), E=Gray(413C), B=Black
 Logo: N=Without Logo, W=With Logo
 1:Two Part, 2:Three Part



COVER

SR

Item	Pitch	Mating
Standard	2.54	5212/5211
Alternate		

REV	DATE	MODIFICATION DESCRIPTION	CHANGE	OPERATION	DRAW	DATE	SCALE	FIT	PART NO.
				x.x ±0.40	JYHuang	2012/09/25	UNIT	mm	3810-XXXXNNGN0X
A1	2012/11/22	Modify The Contact Plating	-----	x.xx ±0.25	CHECK	DATE	SIZE	A4	TITLE: 2.54mm BOX HEADER IDC TYPE
A0	2012/09/25	NEW	-----	x.xxx ±0.15	APPROVE	DATE	SHEET	1/1	Customer NO.
				Angle ± 3°			PROJ.	⊕	
				DIM	TOL				