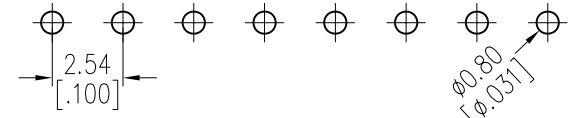


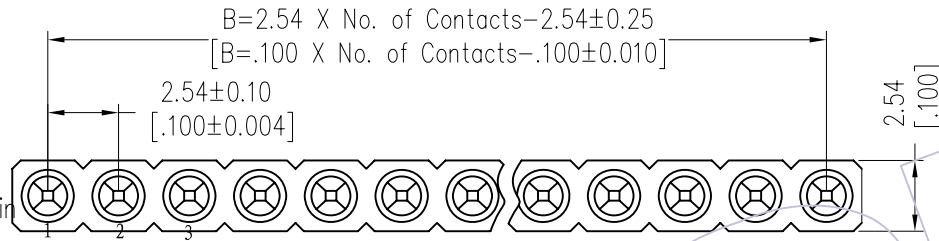
# HSF

Recommended P.C.B Layout (Top Side)  
(PCB BOARD TOLERANCE ±0.05)



**TECHNICAL SPECS:**

Current Rating: 3.0AMP  
 Contact Resistance: 10mΩ Max  
 Dielectric Strength: Min 1000V<sub>RMS</sub>  
 Mechanical Life: Min 500 cycles  
 Mating Pin: Ø0.40 to Ø0.56mm  
 Forces: (polished steel gauge Ø0.47mm)  
 Insertion: 200g Max/Pin, Withdrawal: 60g Min/Pin  
 Operation Temperature: -40°C to +105°C



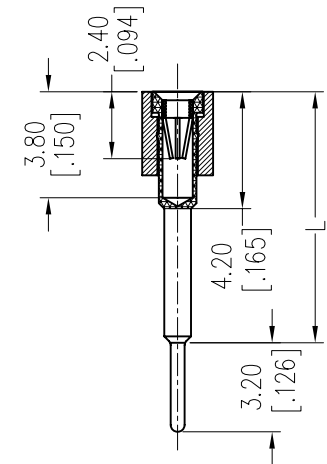
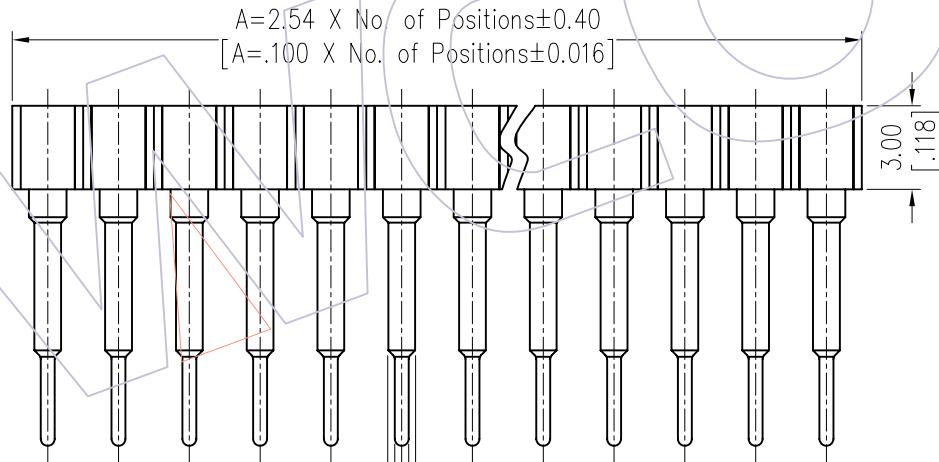
Pin Long Code: XXX	DIM "L"	Part No.
102	7.0	3520-301XXSSX102X1
112	8.0	3520-301XXSSX112X1
122	9.0	3520-301XXSSX122X1
132	10.0	3520-301XXSSX132X1
142	11.0	3520-301XXSSX142X1
152	12.0	3520-301XXSSX152X1
162	13.0	3520-301XXSSX162X1
182	15.0	3520-301XXSSX182X1

Sleeve: Brass CuZn36Pb3(C36000)  
 Contact Clip(4 finger): BeCu(C17200)  
 Insulator Material: PPS+30%G.F(UL94V-0)

## Ordering Information

3520-301 XX S SX XXX X 1

No. of Pin: 2~50PIN  
 Contact Plating:  
 S0=Gold Flash/Tin  
 S3=10u"Gold/Tin  
 S4=15u"Gold/Tin  
 S5=30u"Gold/Tin  
 SN=Tin  
 Packing:  
 A=Tray  
 T=Tube



Item	Pitch	Mating
Standard	2.54	3510
Alternate		

REV	DATE	MODIFICATION DESCRIPTION	CHANGE	OPERATION	DRAW	DATE	SCALE	FIT	PART NO.
				x.x ±0.40	JYHuang	2012/10/18	UNIT	mm	3520-301XXSSXXXXX1
				x.xx ±0.25	CHECK	DATE	SIZE	A4	
A0	2012/10/18	NEW	-----	x.xxx ±0.15	APPROVE	DATE	SHEET	1/1	TITLE: 2.54mm MACHINED FEMALE HEADER SINGLE ROW 180° H=3.00
				Angle ± 3°			PROJ.	Customer NO.	
				DIM TOL					