

# HSF

**NOTES:**

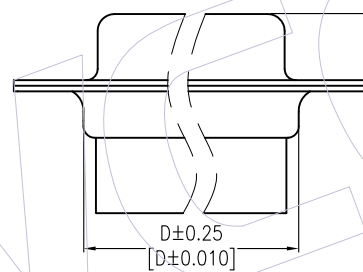
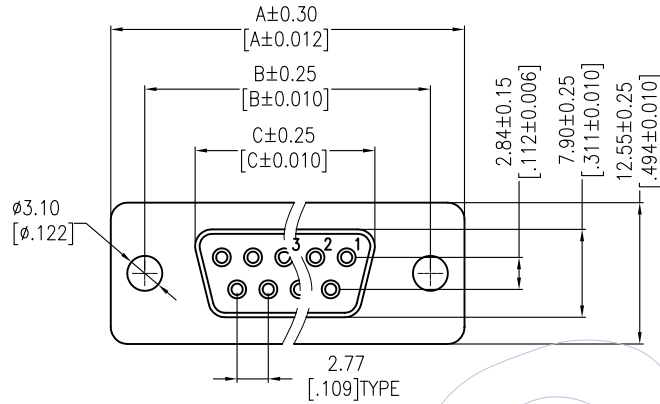
Withstand Voltage: 500V AC/Minute  
 Insulation Resistance: 1000MΩ Min  
 Operation Temperature: -55°C to +105°C

Insulator Material: PBT+30%G.F UL94V-0  
 Shell: Cold Roller Steel, Sn Or Ni Plated  
 Nut: Brass, Sn Over Ni Plated

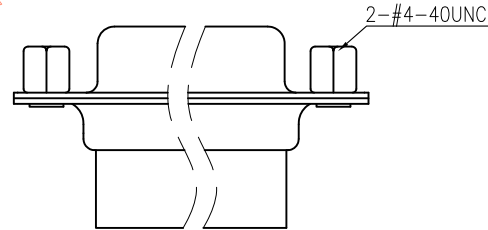
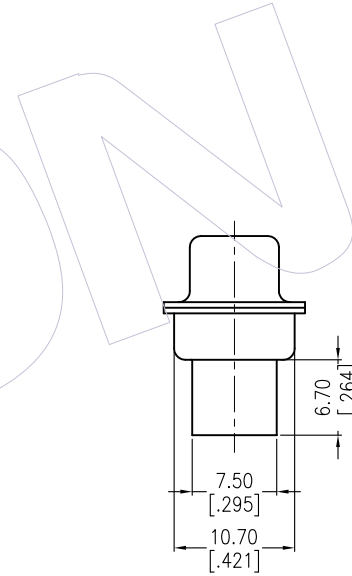
## Ordering Information

6221- XX F X 00 X 01

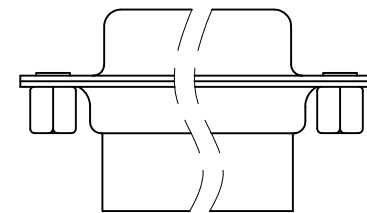
No. of Pins:	Type:	Insulator Color:
9P	B=With Back Nut	B= Black
15P	F=With Front Nut	U= Blue
25P	N=Without Nut	
37P		



6221-XXFN00X01



6221-XXFF00X01



6221-XXFB00X01

Pins	DIM "A"	DIM "B"	DIM "C"	DIM "D"
09	30.81 [1.213]	24.99 [0.984]	16.33 [0.643]	19.28 [0.759]
15	39.14 [1.541]	33.32 [1.312]	24.66 [0.971]	27.70 [1.091]
25	53.04 [2.088]	47.10 [1.855]	38.38 [1.511]	41.30 [1.626]
37	69.32 [2.729]	63.50 [2.500]	54.84 [2.159]	57.30 [2.256]

				OPERATION	DRAW	DATE	SCALE	FIT	PART NO.
				x.x ±0.40	Allen	2014/05/28	UNIT	mm	6221-XXFX00X01
A1	2014/05/28	Modify 6221-XXFXXB01 to 6221-XXFX00X01		x.xx ±0.25	CHECK	DATE	SIZE	A4	TITLE:
AO	2012/12/03	NEW	-----	x.xxx ±0.15			SHEET	1/1	D-SUB FEMALE DUAL ROW
REV	DATE	MODIFICATION DESCRIPTION	CHANGE	Angle ± 3'	APPROVE	DATE	PROJ.		CRIMP TYPE
				DIM TOL					Customer NO.