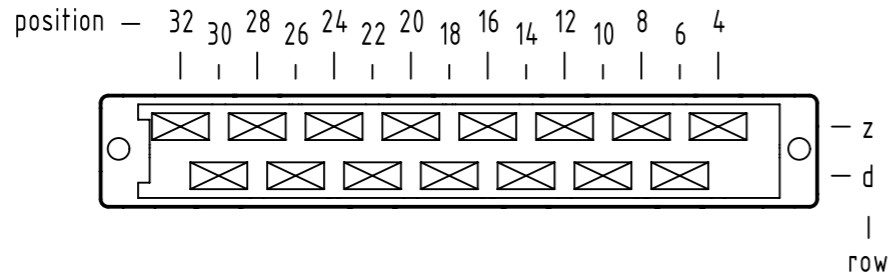


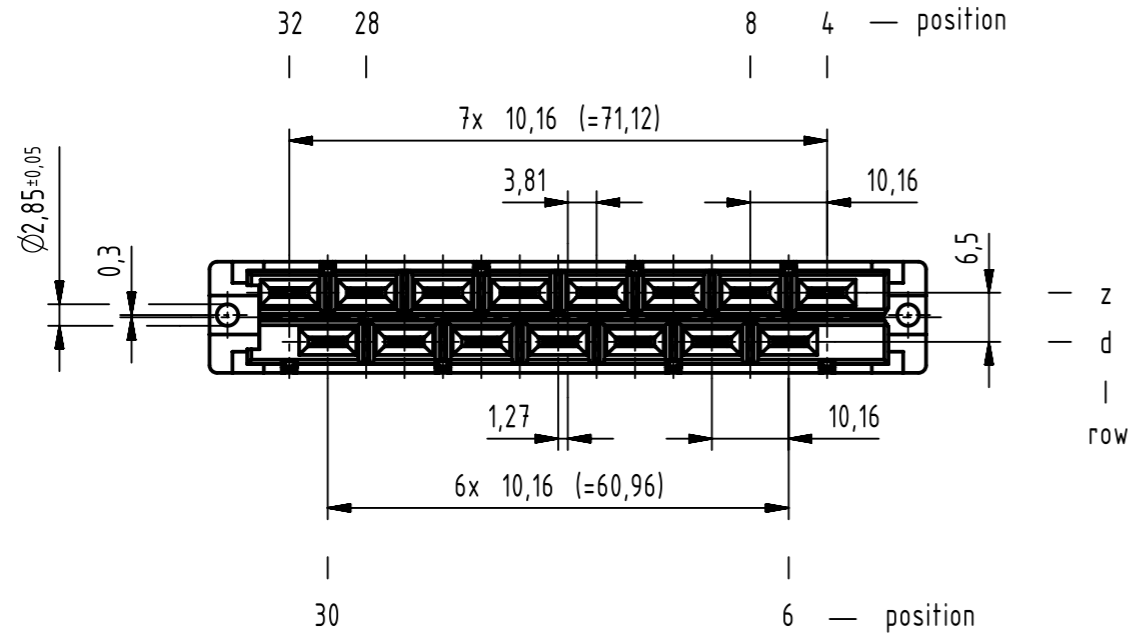
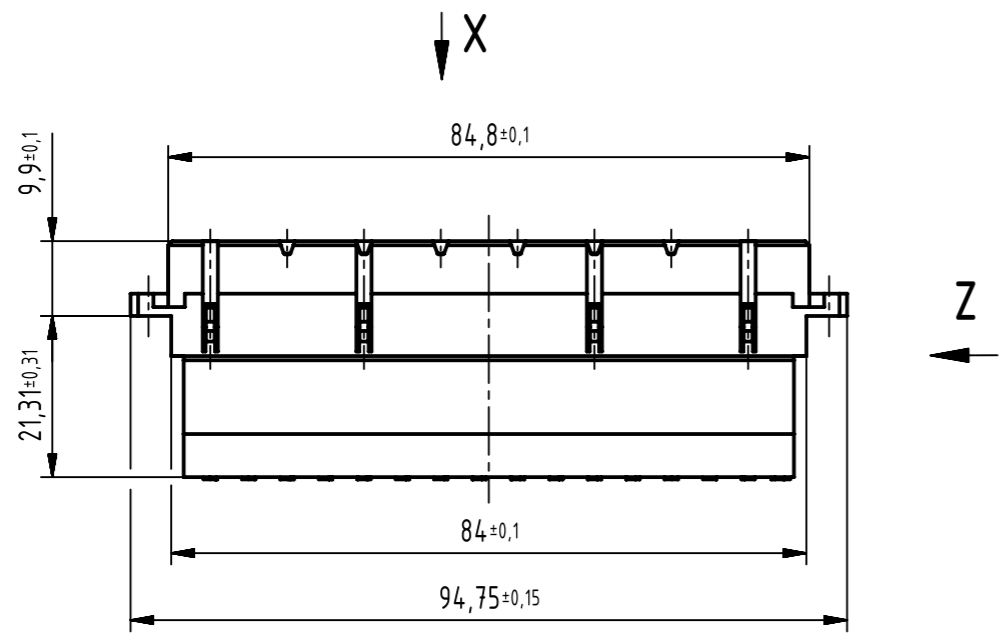
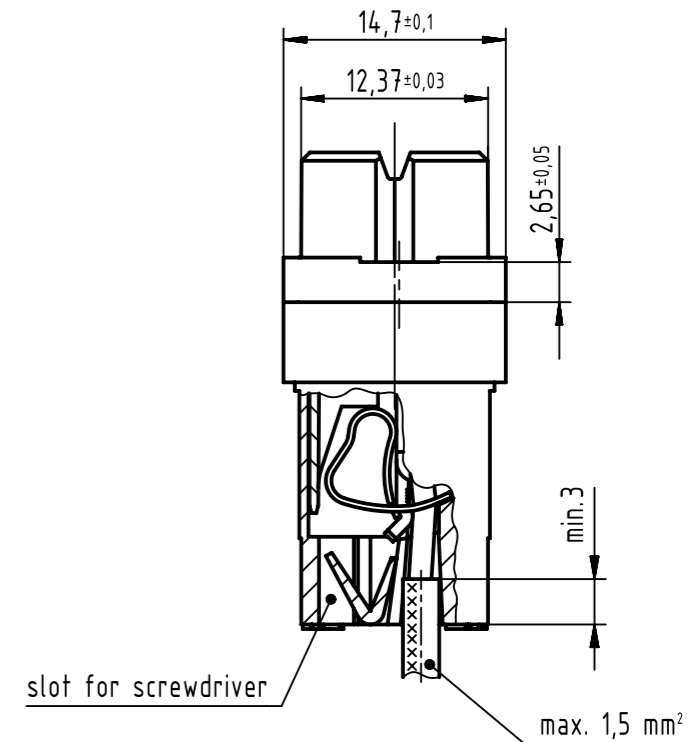
X
contact arrangement



15 contacts

- = position with contact
- = position without contact

Z (2:1)



stripping length: 4-7 mm
wire gauge: 0,14-1,5 mm²

further information see: DS 09 06 210 07 01

	All rights reserved	Created by ZWAHR	Inspected by TADJE	Standardisation HOFFMANN	Date 2014-09-10	State Final Release
	Department EC PD - DE	Title type H15 female connector with cage clamp				Doc-Key / ECM-Nr. 100105857/UGD/003/B 500000079379
HARTING Electronics GmbH D-32339 Espelkamp		Type TB	Number 09060152813		Rev. B	Page 1/1