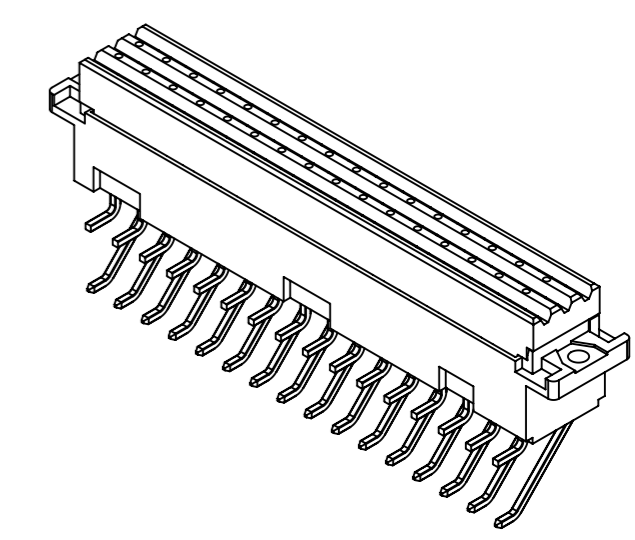
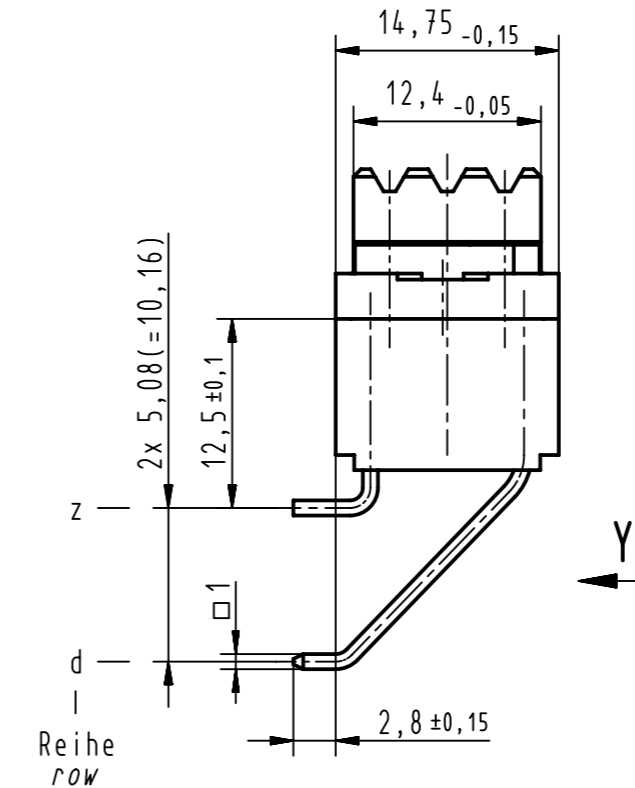


32 Einlöt Kontakte
32 solder contacts

■ = Kontaktposition belegt
= position with contact

□ = Kontaktposition nicht belegt
= position without contact

Z (2:1)
Ausführung II
version II



① weitere Informationen siehe: DS 09 06 220 02 01
further information see: DS 09 06 220 02 01

09 06 232 6836	2
Bestell-Nr. part-no.	Anforderungsstufe performance level ①

	All Dimensions in mm Original Size DIN A3		Scale 1:1	Free size tol. complementary IEC 60603-2		Ref. Sub. TB 0906232X836 Mod. 32882 v. 12.12.05	
	All rights reserved Department EC PD - DE		Created by HAGEMEYERE	Inspected by LEHNERT	Standardisation HOFFMANN	Date 2013-01-30	State Final Release
HARTING Electronics GmbH D-32339 Espelkamp		Title DIN Power type F female solder angled				Doc-Key / ECH-Nr. 100212335/UGD/005/B 50000058142	
		Type TB	Number 0906232X836		Rev. B	Page 1/1	