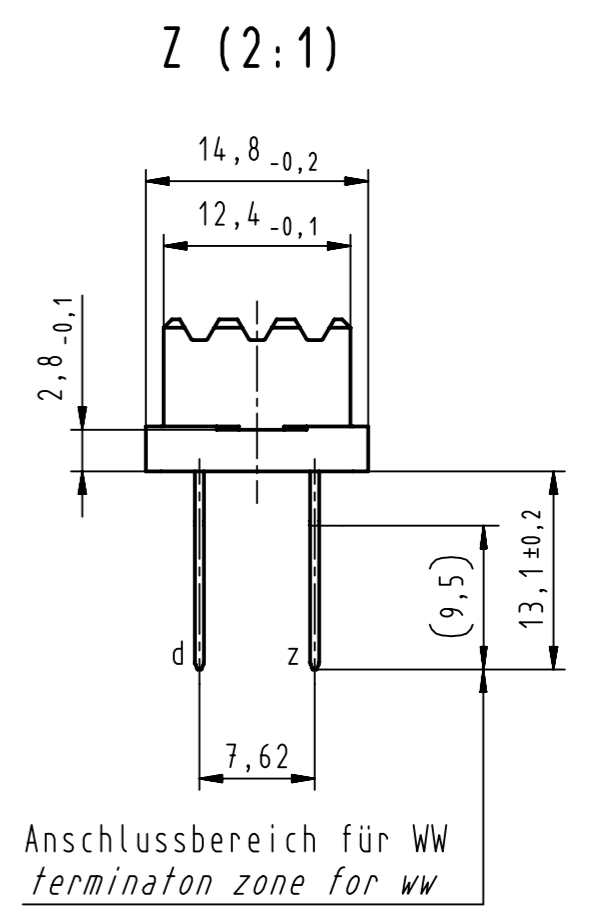
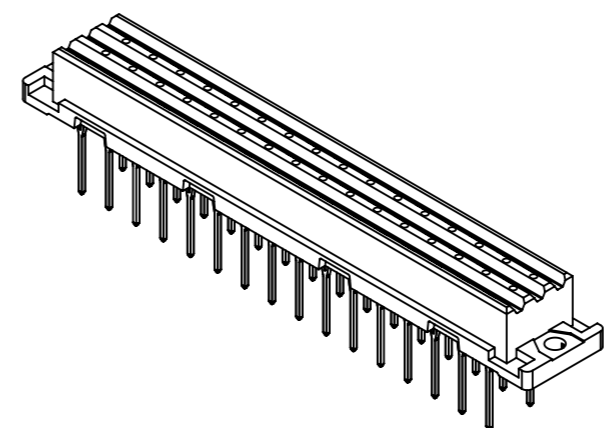


32 Einpress Kontakte
32 press-in contacts

- ☒ = Kontaktposition belegt
= position with contact
- ☐ = Kontaktposition nicht belegt
= position without contact



Empfohlener Lochaufbau und
weitere Informationen siehe: DS 09 06 210 00 02
recommended configuration of plated through holes
and further information see: DS 09 06 210 00 02

09 06 232 7897	3
09 06 232 6897	2
09 06 232 2897	1
Bestell-Nr. part-no.	Anforderungsstufe performance level 1

	All Dimensions in mm Original Size DIN A3	Scale 1:1	Free size tol. complementary IEC 60603-2	Ref. Sub. TB 0906232x897 Mod. 36029 19.04.10	
	All rights reserved Department EC PD - DE	Created by HAGEMEYERE	Inspected by LEHNERT	Standardisation HOFFMANN	Date 2013-01-15
HARTING Electronics GmbH D-32339 Espelkamp		Title DIN Power type F low-prof. fem. press-in			Doc-Key / ECH-Nr. 100102874/UGD/011/B 50000057951
		Type TB	Number 0906232X897		Rev. B Page 1/1