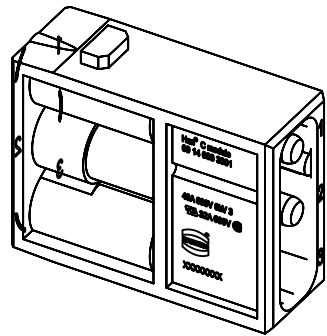


stripping length 10 mm² (AWG 8) = 12 mm
 cable diameter > 4,8 mm: stripping length 12 mm
 outer diameter of wire up to 7.8 mm



All Dimensions in mm Original Size DIN A4	Scale	Free size tol.			Ref.
	2:1				Sub.
All rights reserved Department EL PD - DE	Created by	Inspected by	Standardisation	Date	State
	HOLLERT	RIEPE	SCHMIDTM	2015-02-06	Final Release
HARTING Electric GmbH & Co. KG D-32339 Espelkamp	Title				Doc-Key / ECM-Nr.
	Han C module, crimp male				100086337/UGD/018/C 500000084827
Type		Number		Rev.	Page
TB		09 14 003 3001		C	1/1