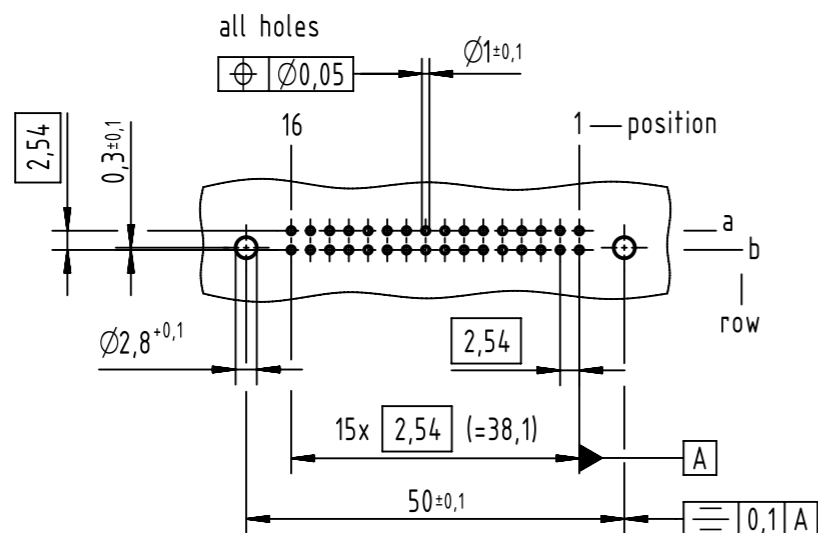


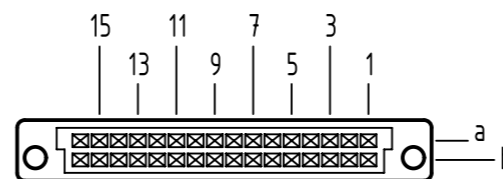
A

board drillings



A

contact arrangement

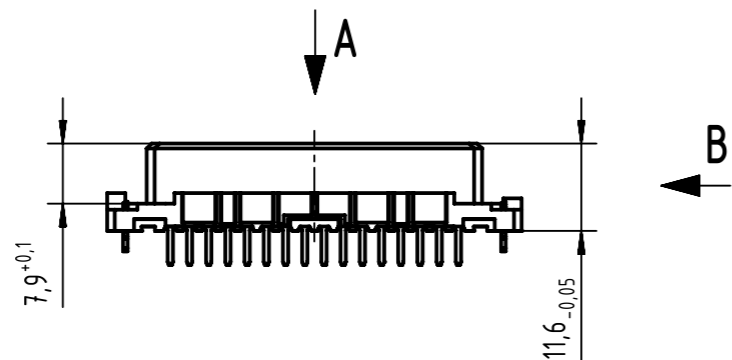


32 solder contacts

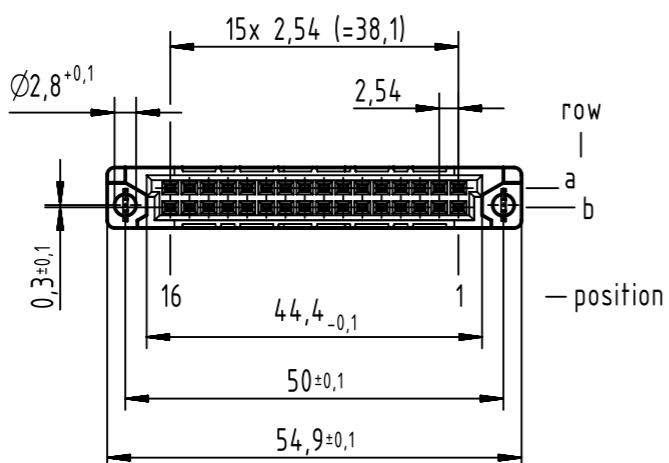
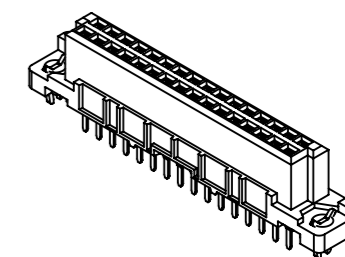
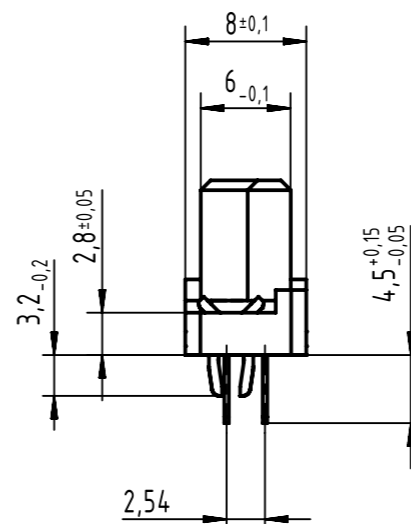
☒ = position with contact

□ = position without contact

A



B (2:1)



① further information see: DS 09032100001

09 22 432 6825	2
part no.	performance level ①

All rights reserved Department EC PD - DE HARTING Electronics GmbH D-32339 Espelkamp	All Dimensions in mm Original Size DIN A3	Scale 1:1 Free size tol. IEC 60603-2	Ref. Sub. TB 09 22 432 X825 / 36416 / 15.07.2011	Created by STORCK	Inspected by LEHNERT	Standardisation KOHLER	Date 2015-05-06	State Final Release
	Title DIN Signal type 2B female solder 4.5 with clip 32-pole							Doc-Key / ECM-Nr. 100111900/UGD/028/B 5000008851
		Type TB	Number 0922432X825		Rev. B	Page 1/1		