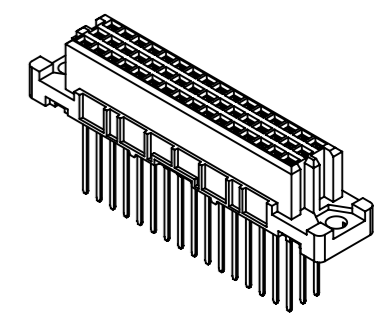
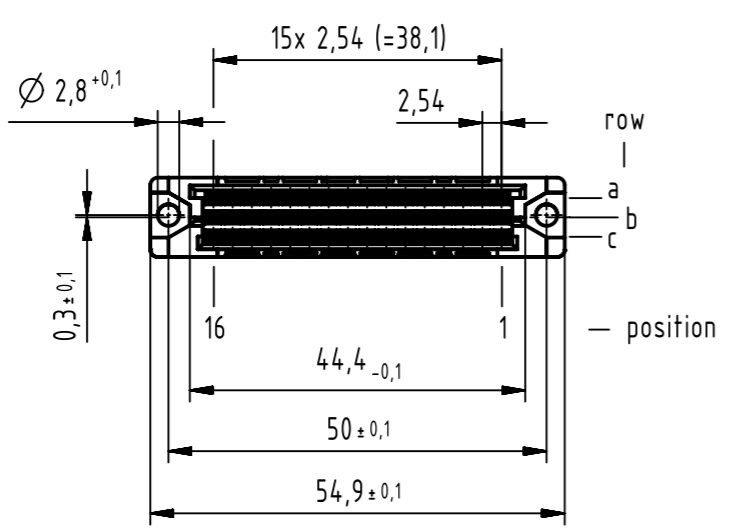
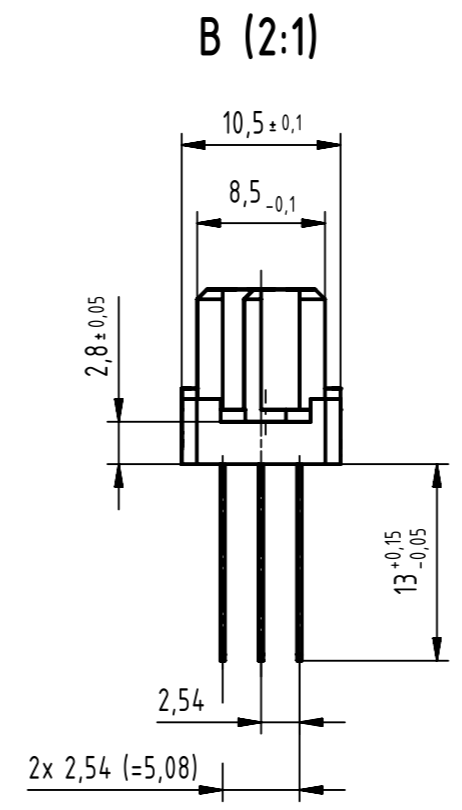
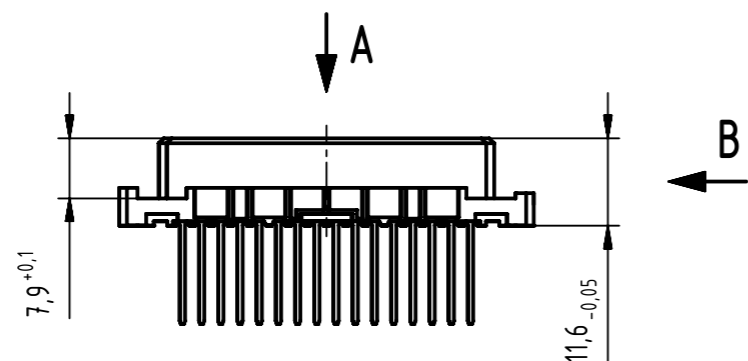


48 solder contacts

☒ = position with contact

☐ = position without contact



① further information see: DS 09032100001

09 23 248 6421	2
part-no	performance level ①

	All rights reserved Department EC PD - DE	Created by ZWAHR	Inspected by LEHNERT	Standardisation HOFFMANN	Date 2014-12-17	State Final Release	Ref. Sub. TB 0923248X421 / Mod.32850 / 13.07.05	
							Title DIN Signal type 2C female solder 13.0	
HARTING Electronics GmbH D-32339 Espelkamp		Type TB	Number 0923248X421		Rev. C	Page 1/1		