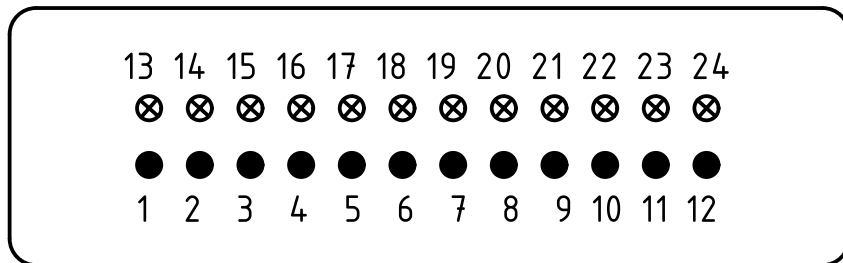
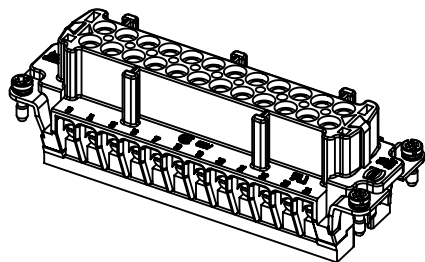
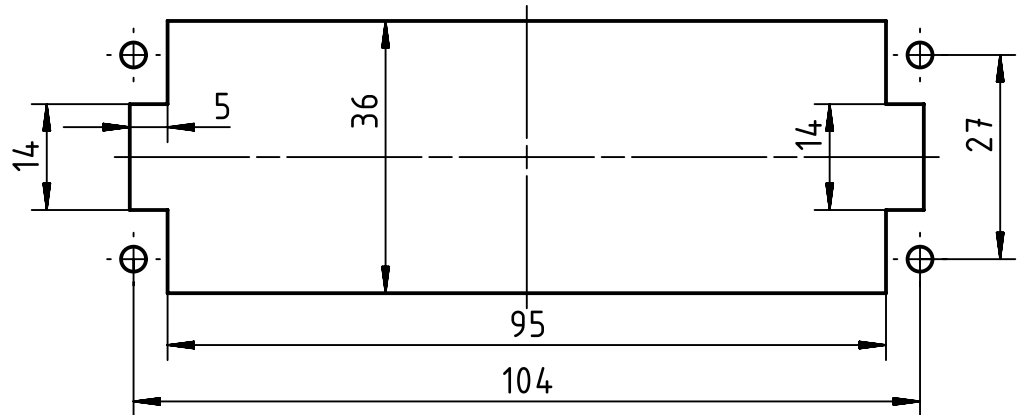


view from termination side



- ⊗ contacts CuNi
- contacts Fe (gold plated)

panel cut out



	All Dimensions in mm Original Size DIN A4		Scale 1:1		Free size tol.		Ref. Sub. TB 09 33 024 2791 v. 18.10.02			
	All rights reserved Department EL PD - DE		Created by RULLKOETTER		Inspected by SCHNIEDER		Standardisation TIEMANNA			
HARTING Electric GmbH & Co. KG D-32339 Espelkamp		Title Han 24E-F-Screw Fe(Au) / CuNi Type J					Date 2015-01-08		State Final Release	
		Type TB		Number 09 33 024 2791			Doc-Key / ECM-Nr. 100130060/UGD/000/B 500000083413		Rev. B	
								Page 1/1		