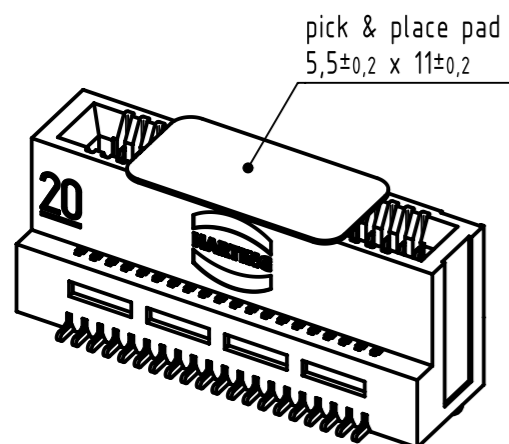
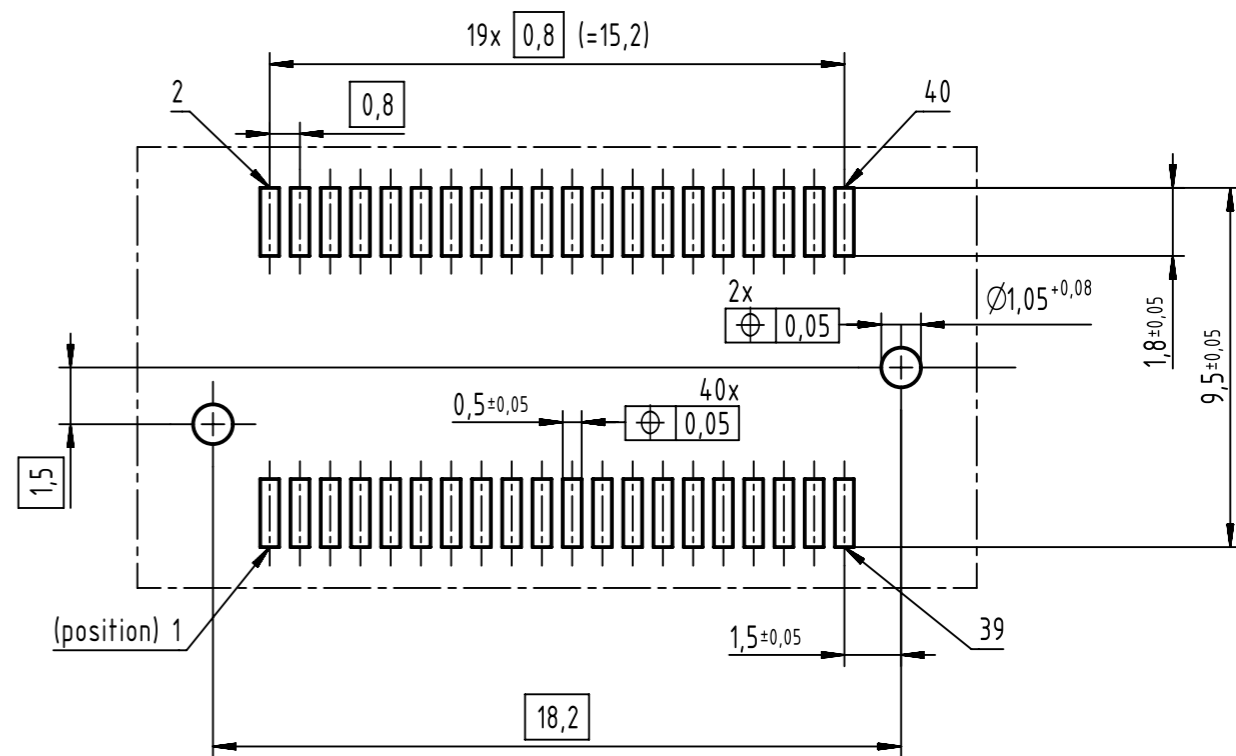
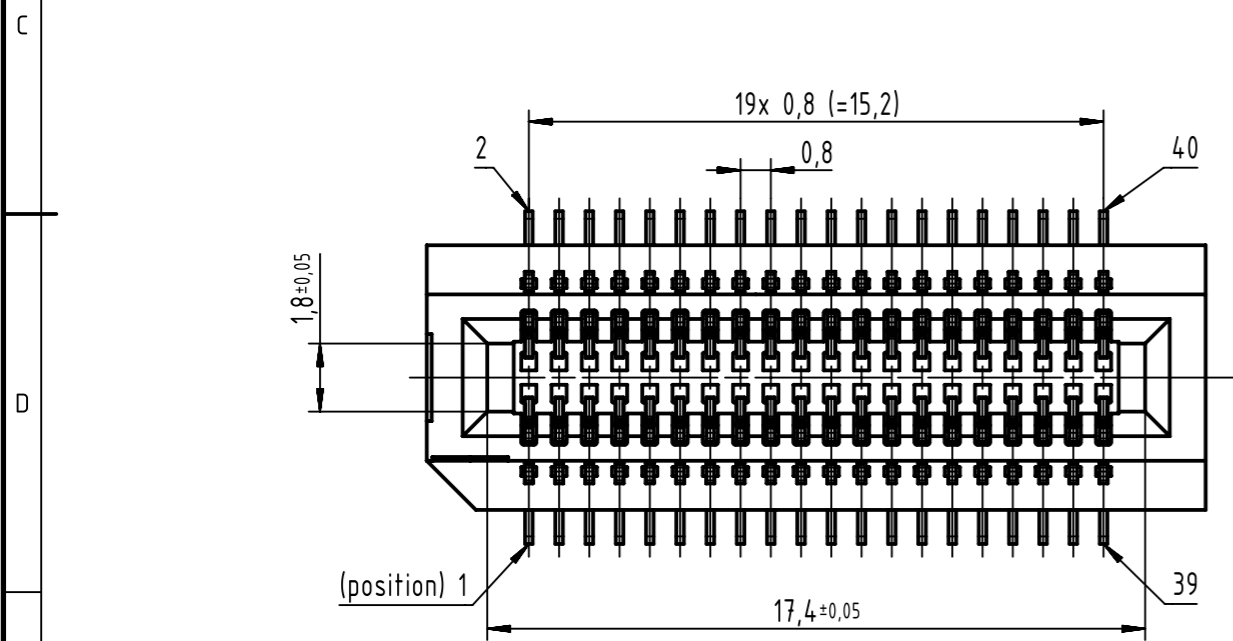
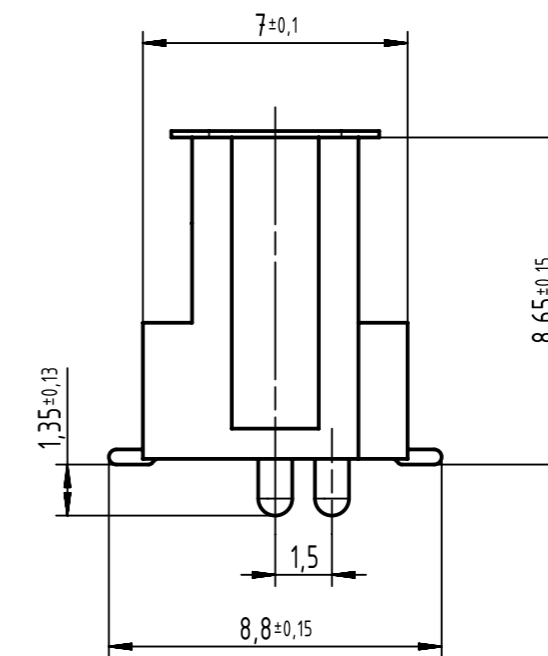


View without pick & place pad

Board layout



further information see DS 15002100301

|   |                       |   |                |                 |            |  |  |
|---|-----------------------|---|----------------|-----------------|------------|--|--|
|   | All rights reserved   | Created by                                  | Inspected by   | Standardisation | Date       | State  |  |
|   | Department EC PD - DE | TADJE                                       | ELLERMANN      | KOHLER          | 2016-03-16 | Final Release  |  |
| HARTING Electronics GmbH<br>D-32339 Espelkamp |                       | Title<br>Micro Card Edge connector 40 poles |                |                 |            | Doc-Key / ECM-Nr.<br>100191026/UGD/010/B<br>500000101859 |  |
|   |                       | Type  | Number         |                 | Rev.       | Page   |  |
|   |                       | TB  | 15010404601XXX |                 | B          | 1/1  |  |