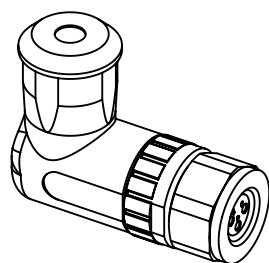
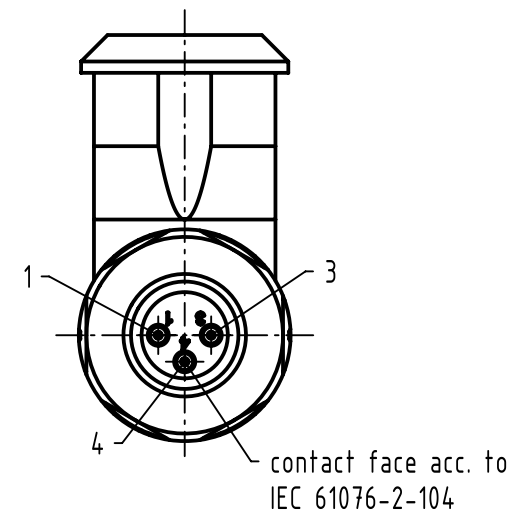



A (2:1)



conductor cross section	0.5mm ² max. AWG20
cable outside diameter	4 - 5.5mm

	All Dimensions in mm Original Size DIN A4		Scale 2:1	Free size tol.		Ref.
	All rights reserved Department EC PD - DE		Created by EISFELD	Inspected by WELLMANN	Standardisation SCHREIER	Date 2015-04-02
HARTING Electronics GmbH D-32339 Espelkamp			Title HARTING M8 screw angled 3-pole female			Doc-Key / ECM-Nr. 1006174.16/UGD/001/A 500000087333
Type TB		Number 21023594301		Rev. A	Page 1/1	