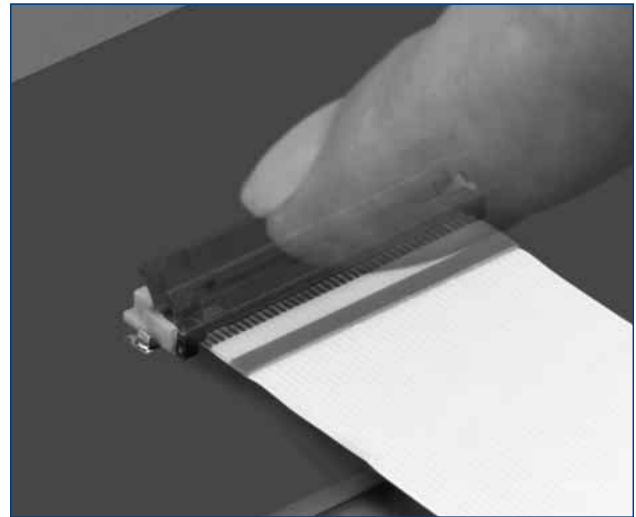
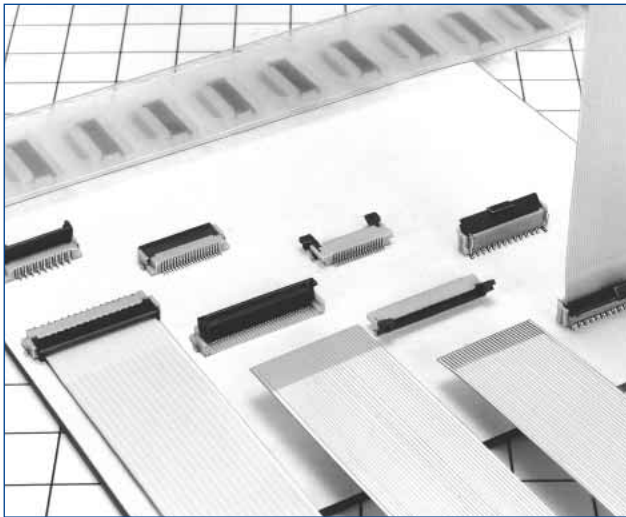


# 0.5 mm and 1 mm Pitch FPC/FFC Connectors

## FH12 Series



### ■ Features

#### 1. Rotating one-touch ZIF mechanism

The one-touch rotating ZIF mechanism is easier to operate and works with a light force.

#### 2. Clear tactile click

A clear tactile click is delivered upon the successful completion of the mating process.

#### 3. Supports high density mounting

The FH12's one-touch ZIF system requires less space than a slide locking connector and can be mounted in the center of the PCB.

#### 4. Top & Bottom Contact and Vertical Mount type

There are three connection types available: top contact, bottom contact and a Vertical mount.

#### 5. 1 mm pitch product

In addition to the 0.5 mm pitch connector, we also offer a 1 mm pitch connector.

#### 6. Reinforced actuator

The FH12S version in 30, 40, 45, 50, and 53 pin counts are offered with a reinforced actuator that provides an extra measure of security against actuator breakage.

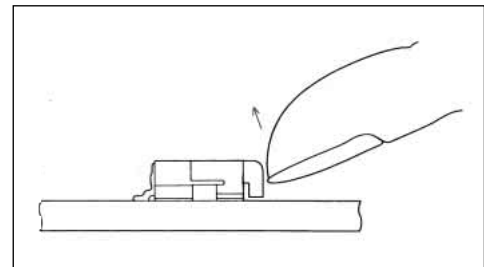
#### 7. Supports 0.18 mm thick FPC

The FH12F version connector supports a 0.18 mm thick FPC ( $\pm 0.05$ ).

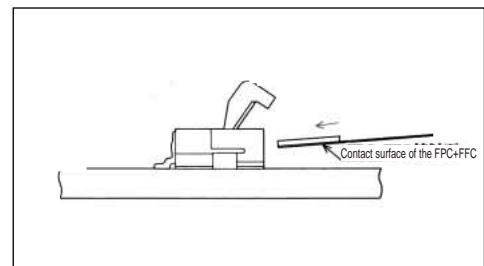
Double-sided FPC do not require a stiffener when used on the connectors.

#### Rotating one-touch ZIF mechanism

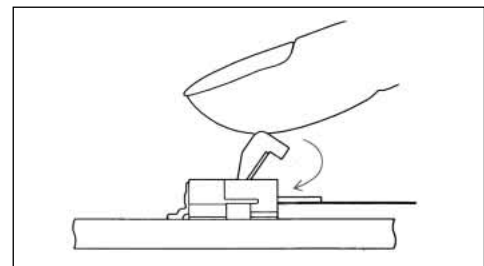
①



②



③



## Product Specifications

Rating	Current rating: 0.5A DC(Note 1)	Operating Temperature Range: -40 to +85°C (Note 2)	Storage Temperature Range: -10 to +50°C (Note 3)
	Voltage rating: 50V AC	Operating Humidity Range: Relative humidity, 90% max. (Not dewed)	Storage Humidity Range: Relative humidity, 90% max. (Not dewed)

Adaptive FPC/FFC contact specifications	t=0.3±0.05 Gold plated	t=0.18 ± 0.05 for FH12F-*S-0.5SH
---	------------------------	----------------------------------

Item	Specification	Conditions
1. Insulation resistance	500M ohms minimum	100V DC
2. Withstanding voltage	No flashover or insulation breakdown.	150V AC/1 minute
3. Contact resistance	50m ohms maximum	1mA
4. Durability (Insertion/withdrawal)	Contact resistance: 50m ohms maximum No damage, cracks, or parts dislocation.	20 cycles
5. Vibration	No electrical discontinuity of 1μs or more Contact resistance: 50m ohms maximum. No damage, cracks, or parts dislocation.	Frequency: 10 to 55 Hz, single amplitude of 0.75 mm, for 10 cycles in 3 axial directions
6. Shock	No electrical discontinuity of 1μs or more Contact resistance: 50m ohms maximum. No damage, cracks, or parts dislocation.	Acceleration of 981 m/s <sup>2</sup> , 6 ms duration, sine half-wave waveform, 3 cycles in each of the 3 axis
7. Humidity(Steady state)	Contact resistance: 50m ohms maximum. Insulation resistance: 50M ohms minimum. No damage, cracks, or parts dislocation.	96 hours at 40°C and humidity of 90% to 95%
8. Temperature Cycle	Contact resistance: 50m ohms maximum. Insulation resistance: 50M ohms minimum. No damage, cracks, or parts dislocation.	Temperature: -40°C → 15 to 35°C → 85°C → 15 to 35°C, Time: 30 → 2 to 3 → 30 → 2 to 3(minutes) 5 cycles
9. Resistance to Soldering heat	No deformation of components affecting performance.	Reflow: At the recommended temperature profile Manual soldering: 350±10°C for 5 seconds

Note 1: When passing the current through all of the contacts, use 70% of the current rating.

Note 2: Includes temperature rise caused by current flow.

Note 3: The term "storage" refers to products stored for long period of time prior to mounting and use. Operating Temperature Range and Humidity range covers nonconducting condition of installed connectors in storage, shipment or during transportation.

## Material

Part	Material	Finish	Remarks
Insulator	Polyamide, LCP(60 pos.)	Color : Beige	UL94V-0
	PPS	Color : Dark brown	
Contact	Phosphor bronze	Gold plated	_____
Metal Fittings	Brass	Tin plated	_____

## Ordering Information

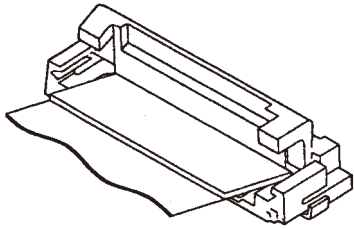
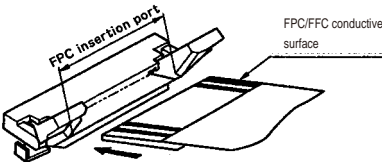
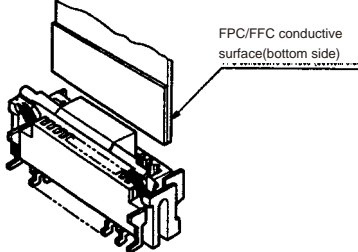
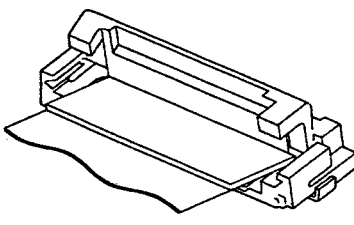
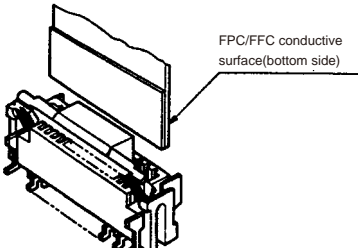
**FH 12 A - 10 (4) S A - 0.5 SH (\*\*)**  

①
②
③
④
⑤
⑥
⑦
⑧
⑨
⑩

① Series Name : FH	⑥ Contact alignment: Single
② Series No. : 12	⑦ Eccentric direction: Blank : standard type A : Eccentric type
③ Blank : standard type A : Top contact type S : Type with strengthened flip-lock actuator F : Type with 0.18mm FPC End Thickness	⑧ Contacts Pitch : 0.5mm, 1mm
④ Standard type : Number of contacts Eccentric type : Number of contacts in 0.5mm housing	⑨ Contact type SH : SMT horizontal mounting type SV : SMT vertical mounting type
⑤ Standard type : Blank Eccentric type : Number of contacts	⑩ Plating specification (54) : Selective gold plated (55) : Gold plated (1)(98) : Gold plated 500 pieces/reel

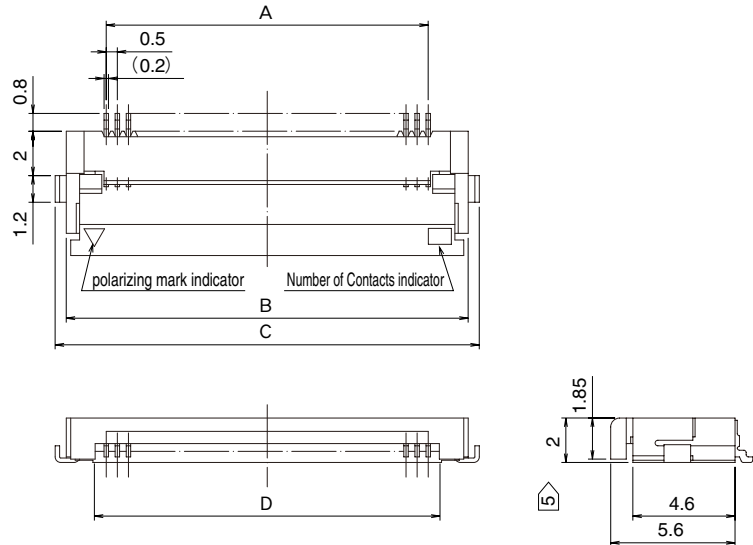
May.1.2016 Copyright 2016 HIROSE ELECTRIC CO., LTD. All Rights Reserved.

## Series Configuration

Pitch	Bottom Contact Type	Top Contact Type	Vertical mounting Type
0.5mm	 <p><b>FH12- ** S-0.5SH</b> <b>P.4</b>                      Number of contacts 6, 8, 10, 11, 12, 13, 14, 15, 16, 17, 18, 19, 20, 22, 24, 25, 26, 28, 30, 32, 33, 34, 35, 36, 40, 45, 50, 53</p>	 <p>FPC insertion port FPC/FFC conductive surface</p>	 <p>FPC/FFC conductive surface(bottom side)</p>
	Type with Strengthened Lock Lever		
	<p><b>FH12S- ** S-0.5SH</b> <b>P.5</b>                      Number of contacts 30, 40, 45, 50, 53</p>		
	Type with 0.18mm FPC End Thickness		
0.5mm	<p><b>FH12F- ** S-0.5SH</b> <b>P.6</b>                      Number of contacts 6, 8, 10, 12, 13, 14, 15, 16, 18, 20, 22, 24, 25, 26, 28, 30, 32, 34, 36, 40</p>	<p><b>FH12A- ** S-0.5SH</b> <b>P.7</b>                      Number of contacts 10, 12, 15, 16, 18, 20, 22, 24, 26, 28, 29, 30, 32, 33, 34, 36, 40, 42, 45, 50</p>	<p><b>FH12- ** S-0.5SV</b> <b>P.8</b>                      Number of contacts 10, 12, 13, 15, 16, 17, 18, 20, 22, 24, 26, 30, 32, 33, 34, 36, 40, 45, 49, 50, 60</p>
	 <p>Standard <b>FH12- ** S-1SH</b> <b>P.9</b>                      Eccentric <b>FH12- ** (***) SA-1SH</b>                      Standard                      Number of contacts 5, 6, 7, 8, 9, 11, 12, 16, 17, 22, 26                      Eccentric                      Number of contacts 4, 6, 8, 10, 11, 14, 19, 24</p>	 <p>FPC/FFC conductive surface(bottom side)</p>	
<p><b>FH12- ** S-1SV</b> <b>P.10</b>                      Number of contacts 6, 7, 8, 16, 20, 22, 24</p>			
1mm			

May.1.2016 Copyright 2016 HIROSE ELECTRIC CO., LTD. All Rights Reserved.

## 0.5mm Pitch Bottom Contact Type



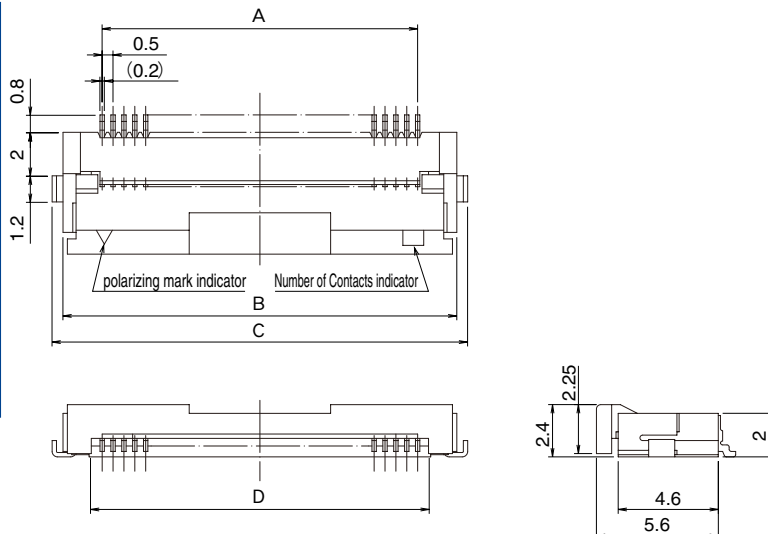
- Note 1 : The coplanarity of each terminal lead within specified dimension is 0.1 mm Max.
- Note 2 : Packaged on tape and reel only. Check packaging specification.
- Note 3 : Slight variations in color of the plastic compounds do not affect form, fit or function of the connector.
- Note 4 : After reflow, the terminal plating may change color, however this does not represent a quality issue.
- Note ⑤: If there is no problem with the connector height, we recommend the type with the strengthened Flip-lock actuator (FH12S-\*S-0.5SH). Standard type connector height: 2 mm Connector height of type with strengthened Flip-lock actuator: 2.4 mm

Unit:mm

Part Number	CL No.	Number of Contacts	A	B	C	D
FH12-6S-0.5SH(**)	586-0582-5-**-	6	2.5	6.1	7.1	3.57
FH12-8S-0.5SH(**)	586-0744-5-**-	8	3.5	7.1	8.1	4.57
FH12-10S-0.5SH(**)	586-0522-3-**-	10	4.5	8.1	9.1	5.57
FH12-11S-0.5SH(**)	586-0600-5-**-	11	5.0	8.6	9.6	6.07
FH12-12S-0.5SH(**)	586-0704-0-**-	12	5.5	9.1	10.1	6.57
FH12-13S-0.5SH(**)	586-0549-0-**-	13	6.0	9.6	10.6	7.07
FH12-14S-0.5SH(**)	586-0533-0-**-	14	6.5	10.1	11.1	7.57
FH12-15S-0.5SH(**)	586-0523-6-**-	15	7.0	10.6	11.6	8.07
FH12-16S-0.5SH(**)	586-0531-4-**-	16	7.5	11.1	12.1	8.57
FH12-17S-0.5SH(**)	586-0606-1-**-	17	8.0	11.6	12.6	9.07
FH12-18S-0.5SH(**)	586-0530-1-**-	18	8.5	12.1	13.1	9.57
FH12-19S-0.5SH(**)	586-0534-2-**-	19	9.0	12.6	13.6	10.07
FH12-20S-0.5SH(**)	586-0524-9-**-	20	9.5	13.1	14.1	10.57
FH12-22S-0.5SH(**)	586-0532-7-**-	22	10.5	14.1	15.1	11.57
FH12-24S-0.5SH(**)	586-0521-0-**-	24	11.5	15.1	16.1	12.57
FH12-25S-0.5SH(**)	586-0692-3-**-	25	12.0	15.6	16.6	13.07
FH12-26S-0.5SH(**)	586-0576-2-**-	26	12.5	16.1	17.1	13.57
FH12-28S-0.5SH(**)	586-0612-4-**-	28	13.5	17.1	18.1	14.57
Note ⑤ FH12-30S-0.5SH(**)	586-0525-1-**-	30	14.5	18.1	19.1	15.57
FH12-32S-0.5SH(**)	586-0681-7-**-	32	15.5	19.1	20.1	16.57
FH12-33S-0.5SH(**)	586-0520-8-**-	33	16.0	19.6	20.6	17.07
FH12-34S-0.5SH(**)	586-0617-8-**-	34	16.5	20.1	21.1	17.57
FH12-35S-0.5SH(**)	586-0740-4-**-	35	17.0	20.6	21.6	18.07
FH12-36S-0.5SH(**)	586-0526-4-**-	36	17.5	21.1	22.1	18.57
Note ⑤ FH12-40S-0.5SH(**)	586-0527-7-**-	40	19.5	23.1	24.1	20.57
Note ⑤ FH12-45S-0.5SH(**)	586-0528-0-**-	45	22.0	25.6	26.6	23.07
Note ⑤ FH12-50S-0.5SH(**)	586-0529-2-**-	50	24.5	28.1	29.1	25.57
Note ⑤ FH12-53S-0.5SH(**)	586-0595-7-**-	53	26.0	29.6	30.6	27.07

Note 1 : Embossed tape reel packaging (2,000 pieces/reel, 500 pieces/reel). Order by number of reels.

## 0.5mm Pitch Bottom Contact Type with Strengthened Flip-lock Actuator



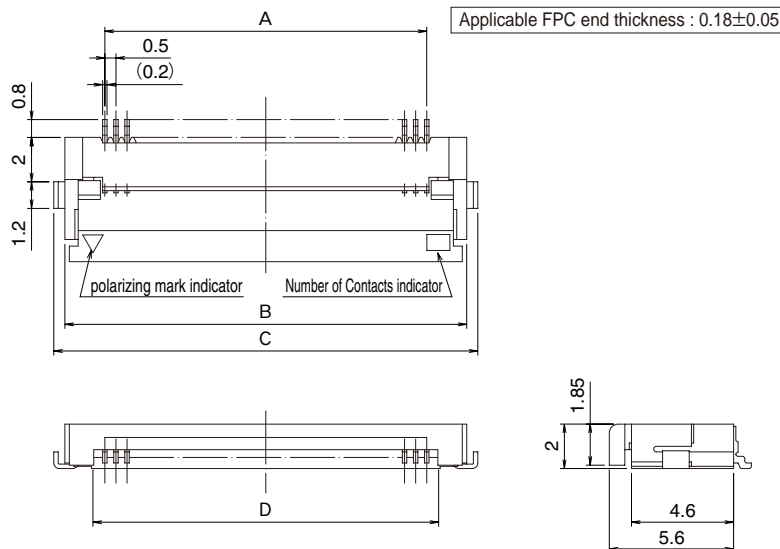
- Note 1 : The coplanarity of each terminal lead within specified dimension is 0.1 mm Max.
- Note 2 : Packaged on tape and reel only. Check packaging specification.
- Note 3 : Slight variations in color of the plastic compounds do not affect form, fit or function of the connector.
- Note 4 : After reflow, the terminal plating may change color, however this does not represent a quality issue.

Unit:mm

Part Number	CL No.	Number of Contacts	A	B	C	D
FH12S-30S-0.5SH(**)	586-0667-6-***	30	14.5	18.1	19.1	15.57
FH12S-40S-0.5SH(**)	586-0640-0-***	40	19.5	23.1	24.1	20.57
FH12S-45S-0.5SH(**)	586-0665-0-***	45	22.0	25.6	26.6	23.07
FH12S-50S-0.5SH(**)	586-0642-5-***	50	24.5	28.1	29.1	25.57
FH12S-53S-0.5SH(**)	586-0691-0-***	53	26.0	29.6	30.6	27.07

- Note 1 : Embossed tape reel packaging (2,000 pieces/reel, 500 pieces/reel).  
Order by number of reels.

## 0.5mm Pitch Bottom Contact Type with 0.18mm FPC End Thickness



- Note 1 : The coplanarity of each terminal lead within specified dimension is 0.1 mm Max.
- Note 2 : Packaged on tape and reel only. Check packaging specification.
- Note 3 : Slight variations in color of the plastic compounds do not affect form, fit or function of the connector.
- Note 4 : After reflow, the terminal plating may change color, however this does not represent a quality issue.

Unit:mm

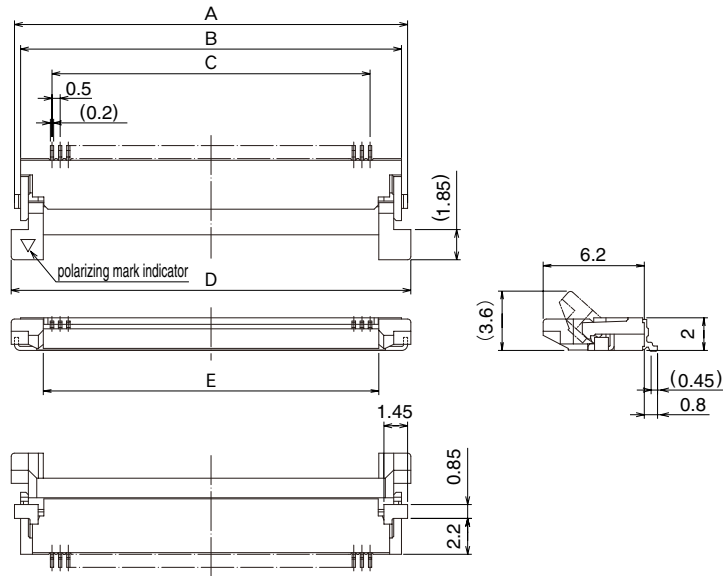
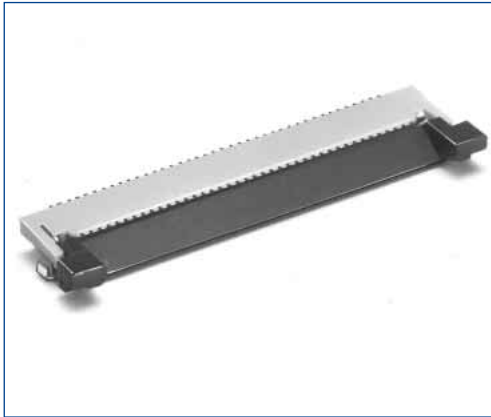
Part Number	CL No.	Number of Contacts	A	B	C	D
FH12F-6S-0.5SH(**)	586-0672-6-*	6	2.5	6.1	7.1	3.57
FH12F-8S-0.5SH(**)	586-0738-2-*	8	3.5	7.1	8.1	4.57
FH12F-10S-0.5SH(**)	586-0709-4-*	10	4.5	8.1	9.1	5.57
FH12F-12S-0.5SH(**)	586-0653-1-*	12	5.5	9.1	10.1	6.57
FH12F-13S-0.5SH(**)	586-0629-7-*	13	6.0	9.6	10.6	7.07
FH12F-14S-0.5SH(**)	586-0655-7-*	14	6.5	10.1	11.1	7.57
FH12F-15S-0.5SH(**)	586-0680-4-*	15	7.0	10.6	11.6	8.07
FH12F-16S-0.5SH(**)	586-0673-9-*	16	7.5	11.1	12.1	8.57
FH12F-18S-0.5SH(**)	586-0626-9-*	18	8.5	12.1	13.1	9.57
FH12F-20S-0.5SH(**)	586-0636-2-*	20	9.5	13.1	14.1	10.57
FH12F-22S-0.5SH(**)	586-0630-6-*	22	10.5	14.1	15.1	11.57
FH12F-24S-0.5SH(**)	586-0632-1-*	24	11.5	15.1	16.1	12.57
FH12F-25S-0.5SH(**)	586-0733-9-*	25	12.0	15.6	16.6	13.07
FH12F-26S-0.5SH(**)	586-0627-1-*	26	12.5	16.1	17.1	13.57
FH12F-28S-0.5SH(**)	586-0643-8-*	28	13.5	17.1	18.1	14.57
FH12F-30S-0.5SH(**)	586-0628-4-*	30	14.5	18.1	19.1	15.57
FH12F-32S-0.5SH(**)	586-0705-3-*	32	15.5	19.1	20.1	16.57
FH12F-34S-0.5SH(**)	586-0677-0-*	34	16.5	20.1	21.1	17.57
FH12F-36S-0.5SH(**)	586-0656-0-*	36	17.5	21.1	22.1	18.57
FH12F-40S-0.5SH(**)	586-0635-0-*	40	19.5	23.1	24.1	20.57

- Note 1 : Embossed tape reel packaging (2,000 pieces/reel).  
Order by number of reels.

May.1.2016 Copyright 2016 HIROSE ELECTRIC CO., LTD. All Rights Reserved.



## 0.5mm Pitch Top Contact Type



Note 1 : The coplanarity of each terminal lead within specified dimension is 0.1 mm Max.

Note 2 : Packaged on tape and reel only. Check packaging specification.

Note 3 : Slight variations in color of the plastic compounds do not affect form, fit or function of the connector.

Note 4 : After reflow, the terminal plating may change color, however this does not represent a quality issue.

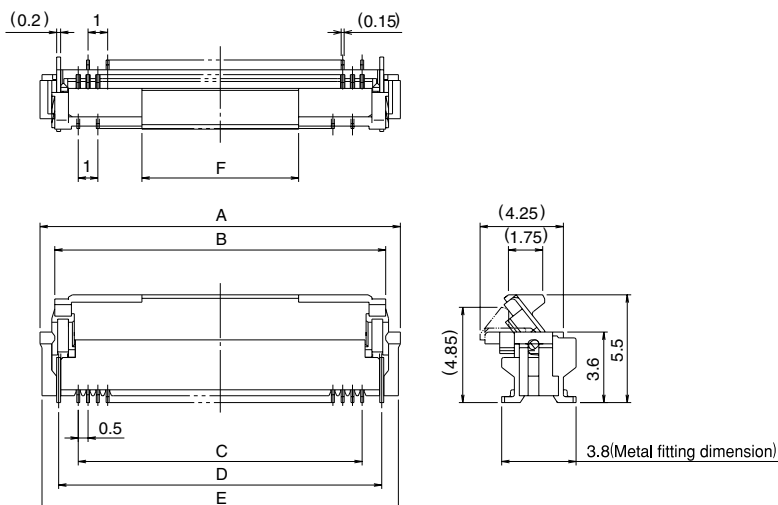
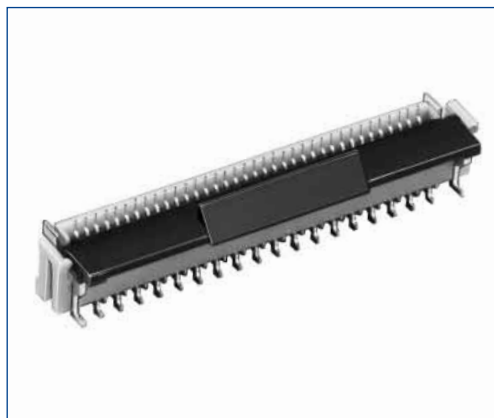
Unit:mm

Part Number	CL No.	Number of Contacts	A	B	C	D	E
FH12A-10S-0.5SH(**)	586-0550-9-**-	10	9.1	8.35	4.5	9.5	5.57
FH12A-12S-0.5SH(**)	586-0696-4-**-	12	10.1	9.35	5.5	10.5	6.57
FH12A-15S-0.5SH(**)	586-0551-1-**-	15	11.6	10.85	7.0	12.0	8.07
FH12A-16S-0.5SH(**)	586-0552-4-**-	16	12.1	11.35	7.5	12.5	8.57
FH12A-18S-0.5SH(**)	586-0553-7-**-	18	13.1	12.35	8.5	13.5	9.57
FH12A-20S-0.5SH(**)	586-0554-0-**-	20	14.1	13.35	9.5	14.5	10.57
FH12A-22S-0.5SH(**)	586-0686-0-**-	22	15.1	14.35	10.5	15.5	11.57
FH12A-24S-0.5SH(**)	586-0555-2-**-	24	16.1	15.35	11.5	16.5	12.57
FH12A-26S-0.5SH(**)	586-0663-5-**-	26	17.1	16.35	12.5	17.5	13.57
FH12A-28S-0.5SH(**)	586-0725-0-**-	28	18.1	17.35	13.5	18.5	14.57
FH12A-29S-0.5SH(**)	586-0585-3-**-	29	18.6	17.85	14.0	19.0	15.07
FH12A-30S-0.5SH(**)	586-0556-5-**-	30	19.1	18.35	14.5	19.5	15.57
FH12A-32S-0.5SH(**)	586-0687-3-**-	32	20.1	19.35	15.5	20.5	16.57
FH12A-33S-0.5SH(**)	586-0570-6-**-	33	20.6	19.85	16.0	21.0	17.07
FH12A-34S-0.5SH(**)	586-0670-0-**-	34	21.1	20.35	16.5	21.5	17.57
FH12A-36S-0.5SH(**)	586-0662-2-**-	36	22.1	21.35	17.5	22.5	18.57
FH12A-40S-0.5SH(**)	586-0557-8-**-	40	24.1	23.35	19.5	24.5	20.57
FH12A-42S-0.5SH(**)	586-0698-0-**-	42	25.1	24.35	20.5	25.5	21.57
FH12A-45S-0.5SH(**)	586-0558-0-**-	45	26.6	25.85	22.0	27.0	23.07
FH12A-50S-0.5SH(**)	586-0559-3-**-	50	29.1	28.35	24.5	29.5	25.57

Note 1 : Embossed tape reel packaging (2,000 pieces/reel).

Order by number of reels.

## 0.5mm Pitch Vertical mounting Type



- Note 1 : The coplanarity of each terminal lead within specified dimension is 0.1 mm Max.
- Note 2 : Packaged on tape and reel only. Check packaging specification.
- Note 3 : Slight variations in color of the plastic compounds do not affect form, fit or function of the connector.
- Note 4 : After reflow, the terminal plating may change color, however this does not represent a quality issue.

Unit:mm

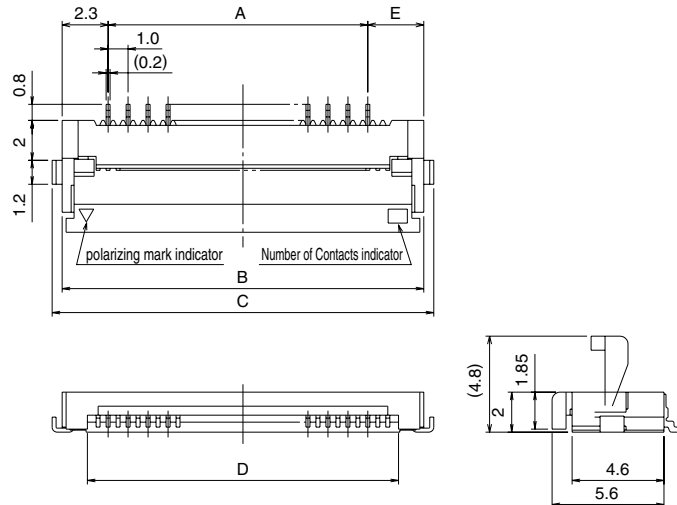
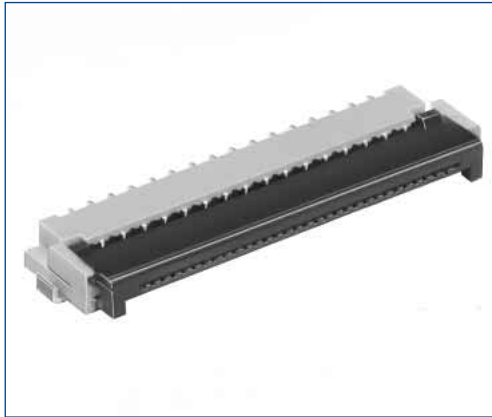
Part Number	CL No.	Number of Contacts	A	B	C	D	E	F
FH12-10S-0.5SV(**)	586-0560-2-**-	10	8.4	6.9	4.5	6.5	8.2	4
FH12-12S-0.5SV(**)	586-0615-2-**-	12	9.4	7.9	5.5	7.5	9.2	4
FH12-13S-0.5SV(**)	586-0575-0-**-	13	9.9	8.4	6.0	8.0	9.7	4
FH12-15S-0.5SV(**)	586-0561-5-**-	15	10.9	9.4	7.0	9.0	10.7	4
FH12-16S-0.5SV(**)	586-0572-1-**-	16	11.4	9.9	7.5	9.5	11.2	4
FH12-17S-0.5SV(**)	586-0601-8-**-	17	11.9	10.4	8.0	10.0	11.7	4
FH12-18S-0.5SV(**)	586-0573-4-**-	18	12.4	10.9	8.5	10.5	12.2	4
FH12-20S-0.5SV(**)	586-0562-8-**-	20	13.4	11.9	9.5	11.5	13.2	4
FH12-22S-0.5SV(**)	586-0589-4-**-	22	14.4	12.9	10.5	12.5	14.2	8
FH12-24S-0.5SV(**)	586-0563-0-**-	24	15.4	13.9	11.5	13.5	15.2	8
FH12-26S-0.5SV(**)	586-0664-8-**-	26	16.4	14.9	12.5	14.5	16.2	8
FH12-30S-0.5SV(**)	586-0564-3-**-	30	18.4	16.9	14.5	16.5	18.2	8
FH12-32S-0.5SV(**)	586-0699-2-**-	32	19.4	17.9	15.5	17.5	19.2	8
FH12-33S-0.5SV(**)	586-0565-6-**-	33	19.9	18.4	16.0	18.0	19.7	8
FH12-34S-0.5SV(**)	586-0706-6-**-	34	20.4	18.9	16.5	18.5	20.2	8
FH12-36S-0.5SV(**)	586-0641-2-**-	36	21.4	19.9	17.5	19.5	21.2	8
FH12-40S-0.5SV(**)	586-0566-9-**-	40	23.4	21.9	19.5	21.5	23.2	8
FH12-45S-0.5SV(**)	586-0567-1-**-	45	25.9	24.4	22.0	24.0	25.7	8
FH12-49S-0.5SV(**)	586-0602-0-**-	49	27.9	26.4	24.0	26.0	27.7	8
FH12-50S-0.5SV(**)	586-0568-4-**-	50	28.4	26.9	24.5	26.5	28.2	8
FH12-60S-0.5SV(**)	586-0735-4-**-	60	33.4	31.9	29.5	31.5	33.2	8

- Note 1 : Embossed tape reel packaging (1,000 pieces/reel, 500 pieces/reel).  
Order by number of reels.

May.1.2016 Copyright 2016 HIROSE ELECTRIC CO., LTD. All Rights Reserved.



## 1mm Pitch Type Bottom Contact Type



Note 1 : The coplanarity of each terminal lead within specified dimension is 0.1 mm Max.

Note 2 : Packaged on tape and reel only. Check packaging specification.

Note 3 : Slight variations in color of the plastic compounds do not affect form, fit or function of the connector.

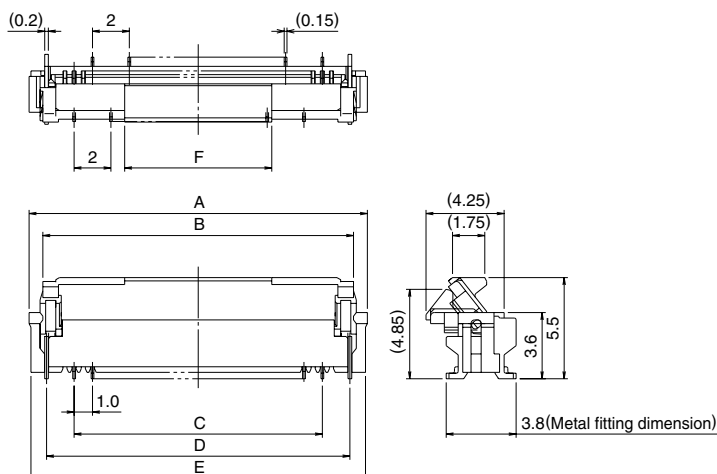
Note 4 : After reflow, the terminal plating may change color, however this does not represent a quality issue.

Unit:mm

	Part Number	CL No.	Number of Contacts	A	B	C	D	E
Standard type	FH12-5S-1SH(**)	586-0591-6-**-	5	4	8.6	9.6	6.07	2.3
	FH12-6S-1SH(**)	586-0607-4-**-	6	5	9.6	10.6	7.07	2.3
	FH12-7S-1SH(**)	586-0535-5-**-	7	6	10.6	11.6	8.07	2.3
	FH12-8S-1SH(**)	586-0579-0-**-	8	7	11.6	12.6	9.07	2.3
	FH12-9S-1SH(**)	586-0540-5-**-	9	8	12.6	13.6	10.07	2.3
	FH12-11S-1SH(**)	586-0668-9-**-	11	10	14.6	15.6	12.07	2.3
	FH12-12S-1SH(**)	586-0741-7-**-	12	11	15.6	16.6	13.07	2.3
	FH12-16S-1SH(**)	586-0536-8-**-	16	15	19.6	20.6	17.07	2.3
	FH12-17S-1SH(**)	586-0739-5-**-	17	16	20.6	21.6	18.07	2.3
	FH12-22S-1SH(**)	586-0547-4-**-	22	21	25.6	26.6	23.07	2.3
	FH12-26S-1SH(**)	586-0592-9-**-	26	25	29.6	30.6	27.07	2.3
Eccentric type	FH12-10(4)SA-1SH(**)	586-0537-0-**-	4	3	8.1	9.1	5.57	2.8
	FH12-14(6)SA-1SH(**)	586-0538-3-**-	6	5	10.1	11.1	7.57	2.8
	FH12-18(8)SA-1SH(**)	586-0539-6-**-	8	7	12.1	13.1	9.57	2.8
	FH12-22(10)SA-1SH(**)	586-0541-8-**-	10	9	14.1	15.1	11.57	2.8
	FH12-24(11)SA-1SH(**)	586-0542-0-**-	11	10	15.1	16.1	12.57	2.8
	FH12-30(14)SA-1SH(**)	586-0543-3-**-	14	13	18.1	19.1	15.57	2.8
	FH12-40(19)SA-1SH(**)	586-0546-1-**-	19	18	23.1	24.1	20.57	2.8
	FH12-50(24)SA-1SH(**)	586-0548-7-**-	24	23	28.1	29.1	25.57	2.8

Note 1: Embossed tape reel packaging (2,000 pieces/reel, 500 pieces/reel). Order by number of reels.

## 1mm Pitch Vertical Mounting Type



- Note 1 : The coplanarity of each terminal lead within specified dimension is 0.1 mm Max.
- Note 2 : Packaged on tape and reel only. Check packaging specification.
- Note 3 : Slight variations in color of the plastic compounds do not affect form, fit or function of the connector.
- Note 4 : After reflow, the terminal plating may change color, however this does not represent a quality issue.

Unit:mm

Part Number	CL No.	Number of Contacts	A	B	C	D	E	F
FH12-6S-1SV(**)	586-0605-9-***	6	9.9	8.4	5	8	9.7	4
FH12-7S-1SV(**)	586-0610-9-***	7	10.9	9.4	6	9	10.7	4
FH12-8S-1SV(**)	586-0593-1-***	8	11.9	10.4	7	10	11.7	4
FH12-16S-1SV(**)	586-0574-7-***	16	19.9	18.4	15	18	19.7	8
FH12-20S-1SV(**)	586-0634-7-***	20	23.9	22.4	19	22	23.7	8
FH12-22S-1SV(**)	586-0584-0-***	22	25.9	24.4	21	24	25.7	8
FH12-24S-1SV(**)	586-0594-4-***	24	27.9	26.4	23	26	27.7	8

- Note 1 : Embossed tape reel packaging (1,000 pieces/reel, 500 pieces/ree).  
Order by number of reels.

May.1.2016 Copyright 2016 HIROSE ELECTRIC CO., LTD. All Rights Reserved.

## Recommended FPC/FFC dimensions and Land/Metal Mask dimensions

### 0.5mm Pitch Product

	FPC/FFC dimensions	Land / Metal Mask dimensions																																																																																																																																																																																																																																										
<p><b>0.5mm Pitch Bottom Contact Type</b></p>		<p>Recommended metal mask thickness : 0.15mm</p>																																																																																																																																																																																																																																										
	<table border="1"> <tr> <th>Product Type</th> <th>C Dimension</th> </tr> <tr> <td>Types other than those below</td> <td>0.3±0.05min Stiffener thickness should be 0.188 mm (7.5 mil) min</td> </tr> <tr> <td>FH12F</td> <td>0.18±0.05</td> </tr> </table>	Product Type	C Dimension	Types other than those below	0.3±0.05min Stiffener thickness should be 0.188 mm (7.5 mil) min	FH12F	0.18±0.05																																																																																																																																																																																																																																					
Product Type	C Dimension																																																																																																																																																																																																																																											
Types other than those below	0.3±0.05min Stiffener thickness should be 0.188 mm (7.5 mil) min																																																																																																																																																																																																																																											
FH12F	0.18±0.05																																																																																																																																																																																																																																											
<p><b>0.5mm Pitch Top Contact Type</b></p>	<p style="text-align: center;">Unit: mm</p> <table border="1"> <thead> <tr> <th rowspan="2">Dimension Number of Contacts</th> <th colspan="2">Dimension</th> <th rowspan="2">Number of Contacts</th> <th colspan="2">Dimension</th> </tr> <tr> <th>A</th> <th>B</th> <th>A</th> <th>B</th> </tr> </thead> <tbody> <tr><td>6</td><td>2.5</td><td>3.5</td><td>25</td><td>12.0</td><td>13.0</td></tr> <tr><td>8</td><td>3.5</td><td>4.5</td><td>26</td><td>12.5</td><td>13.5</td></tr> <tr><td>10</td><td>4.5</td><td>5.5</td><td>28</td><td>13.5</td><td>14.5</td></tr> <tr><td>11</td><td>5.0</td><td>6.0</td><td>29</td><td>14.0</td><td>15.0</td></tr> <tr><td>12</td><td>5.5</td><td>6.5</td><td>30</td><td>14.5</td><td>15.5</td></tr> <tr><td>13</td><td>6.0</td><td>7.0</td><td>32</td><td>15.5</td><td>16.5</td></tr> <tr><td>14</td><td>6.5</td><td>7.5</td><td>33</td><td>16.0</td><td>17.0</td></tr> <tr><td>15</td><td>7.0</td><td>8.0</td><td>34</td><td>16.5</td><td>17.5</td></tr> <tr><td>16</td><td>7.5</td><td>8.5</td><td>35</td><td>17.0</td><td>18.0</td></tr> <tr><td>17</td><td>8.0</td><td>9.0</td><td>36</td><td>17.5</td><td>18.5</td></tr> <tr><td>18</td><td>8.5</td><td>9.5</td><td>40</td><td>19.5</td><td>20.5</td></tr> <tr><td>19</td><td>9.0</td><td>10.0</td><td>42</td><td>20.5</td><td>21.5</td></tr> <tr><td>20</td><td>9.5</td><td>10.5</td><td>45</td><td>22.0</td><td>23.0</td></tr> <tr><td>22</td><td>10.5</td><td>11.5</td><td>50</td><td>24.5</td><td>25.5</td></tr> <tr><td>24</td><td>11.5</td><td>12.5</td><td>53</td><td>26.0</td><td>27.0</td></tr> </tbody> </table>	Dimension Number of Contacts	Dimension		Number of Contacts	Dimension		A	B	A	B	6	2.5	3.5	25	12.0	13.0	8	3.5	4.5	26	12.5	13.5	10	4.5	5.5	28	13.5	14.5	11	5.0	6.0	29	14.0	15.0	12	5.5	6.5	30	14.5	15.5	13	6.0	7.0	32	15.5	16.5	14	6.5	7.5	33	16.0	17.0	15	7.0	8.0	34	16.5	17.5	16	7.5	8.5	35	17.0	18.0	17	8.0	9.0	36	17.5	18.5	18	8.5	9.5	40	19.5	20.5	19	9.0	10.0	42	20.5	21.5	20	9.5	10.5	45	22.0	23.0	22	10.5	11.5	50	24.5	25.5	24	11.5	12.5	53	26.0	27.0	<p style="text-align: center;">Unit: mm</p> <table border="1"> <thead> <tr> <th rowspan="2">Dimension Number of Contacts</th> <th colspan="3">Dimension</th> <th rowspan="2">Number of Contacts</th> <th colspan="3">Dimension</th> </tr> <tr> <th>A</th> <th>B</th> <th>C</th> <th>A</th> <th>B</th> <th>C</th> </tr> </thead> <tbody> <tr><td>6</td><td>2.5</td><td>8.1</td><td>4.5</td><td>25</td><td>12.0</td><td>17.6</td><td>14.0</td></tr> <tr><td>8</td><td>3.5</td><td>9.1</td><td>5.5</td><td>26</td><td>12.5</td><td>18.1</td><td>14.5</td></tr> <tr><td>10</td><td>4.5</td><td>10.1</td><td>6.5</td><td>28</td><td>13.5</td><td>19.1</td><td>15.5</td></tr> <tr><td>11</td><td>5.0</td><td>10.6</td><td>7.0</td><td>29</td><td>14.0</td><td>19.6</td><td>16.0</td></tr> <tr><td>12</td><td>5.5</td><td>11.1</td><td>7.5</td><td>30</td><td>14.5</td><td>20.1</td><td>16.5</td></tr> <tr><td>13</td><td>6.0</td><td>11.6</td><td>8.0</td><td>32</td><td>15.5</td><td>21.1</td><td>17.5</td></tr> <tr><td>14</td><td>6.5</td><td>12.1</td><td>8.5</td><td>33</td><td>16.0</td><td>21.6</td><td>18.0</td></tr> <tr><td>15</td><td>7.0</td><td>12.6</td><td>9.0</td><td>34</td><td>16.5</td><td>22.1</td><td>18.5</td></tr> <tr><td>16</td><td>7.5</td><td>13.1</td><td>9.5</td><td>35</td><td>17.0</td><td>22.6</td><td>19.0</td></tr> <tr><td>17</td><td>8.0</td><td>13.6</td><td>10.0</td><td>36</td><td>17.5</td><td>23.1</td><td>19.5</td></tr> <tr><td>18</td><td>8.5</td><td>14.1</td><td>10.5</td><td>40</td><td>19.5</td><td>25.1</td><td>21.5</td></tr> <tr><td>19</td><td>9.0</td><td>14.6</td><td>11.0</td><td>42</td><td>20.5</td><td>26.1</td><td>22.5</td></tr> <tr><td>20</td><td>9.5</td><td>15.1</td><td>11.5</td><td>45</td><td>22.0</td><td>27.6</td><td>24.0</td></tr> <tr><td>22</td><td>10.5</td><td>16.1</td><td>12.5</td><td>50</td><td>24.5</td><td>30.1</td><td>26.5</td></tr> <tr><td>24</td><td>11.5</td><td>17.1</td><td>13.5</td><td>53</td><td>26.0</td><td>31.6</td><td>28.0</td></tr> </tbody> </table>	Dimension Number of Contacts	Dimension			Number of Contacts	Dimension			A	B	C	A	B	C	6	2.5	8.1	4.5	25	12.0	17.6	14.0	8	3.5	9.1	5.5	26	12.5	18.1	14.5	10	4.5	10.1	6.5	28	13.5	19.1	15.5	11	5.0	10.6	7.0	29	14.0	19.6	16.0	12	5.5	11.1	7.5	30	14.5	20.1	16.5	13	6.0	11.6	8.0	32	15.5	21.1	17.5	14	6.5	12.1	8.5	33	16.0	21.6	18.0	15	7.0	12.6	9.0	34	16.5	22.1	18.5	16	7.5	13.1	9.5	35	17.0	22.6	19.0	17	8.0	13.6	10.0	36	17.5	23.1	19.5	18	8.5	14.1	10.5	40	19.5	25.1	21.5	19	9.0	14.6	11.0	42	20.5	26.1	22.5	20	9.5	15.1	11.5	45	22.0	27.6	24.0	22	10.5	16.1	12.5	50	24.5	30.1	26.5	24	11.5	17.1	13.5	53	26.0	31.6	28.0
	Dimension Number of Contacts		Dimension			Number of Contacts	Dimension																																																																																																																																																																																																																																					
A		B	A	B																																																																																																																																																																																																																																								
6	2.5	3.5	25	12.0	13.0																																																																																																																																																																																																																																							
8	3.5	4.5	26	12.5	13.5																																																																																																																																																																																																																																							
10	4.5	5.5	28	13.5	14.5																																																																																																																																																																																																																																							
11	5.0	6.0	29	14.0	15.0																																																																																																																																																																																																																																							
12	5.5	6.5	30	14.5	15.5																																																																																																																																																																																																																																							
13	6.0	7.0	32	15.5	16.5																																																																																																																																																																																																																																							
14	6.5	7.5	33	16.0	17.0																																																																																																																																																																																																																																							
15	7.0	8.0	34	16.5	17.5																																																																																																																																																																																																																																							
16	7.5	8.5	35	17.0	18.0																																																																																																																																																																																																																																							
17	8.0	9.0	36	17.5	18.5																																																																																																																																																																																																																																							
18	8.5	9.5	40	19.5	20.5																																																																																																																																																																																																																																							
19	9.0	10.0	42	20.5	21.5																																																																																																																																																																																																																																							
20	9.5	10.5	45	22.0	23.0																																																																																																																																																																																																																																							
22	10.5	11.5	50	24.5	25.5																																																																																																																																																																																																																																							
24	11.5	12.5	53	26.0	27.0																																																																																																																																																																																																																																							
Dimension Number of Contacts	Dimension			Number of Contacts	Dimension																																																																																																																																																																																																																																							
	A	B	C		A	B	C																																																																																																																																																																																																																																					
6	2.5	8.1	4.5	25	12.0	17.6	14.0																																																																																																																																																																																																																																					
8	3.5	9.1	5.5	26	12.5	18.1	14.5																																																																																																																																																																																																																																					
10	4.5	10.1	6.5	28	13.5	19.1	15.5																																																																																																																																																																																																																																					
11	5.0	10.6	7.0	29	14.0	19.6	16.0																																																																																																																																																																																																																																					
12	5.5	11.1	7.5	30	14.5	20.1	16.5																																																																																																																																																																																																																																					
13	6.0	11.6	8.0	32	15.5	21.1	17.5																																																																																																																																																																																																																																					
14	6.5	12.1	8.5	33	16.0	21.6	18.0																																																																																																																																																																																																																																					
15	7.0	12.6	9.0	34	16.5	22.1	18.5																																																																																																																																																																																																																																					
16	7.5	13.1	9.5	35	17.0	22.6	19.0																																																																																																																																																																																																																																					
17	8.0	13.6	10.0	36	17.5	23.1	19.5																																																																																																																																																																																																																																					
18	8.5	14.1	10.5	40	19.5	25.1	21.5																																																																																																																																																																																																																																					
19	9.0	14.6	11.0	42	20.5	26.1	22.5																																																																																																																																																																																																																																					
20	9.5	15.1	11.5	45	22.0	27.6	24.0																																																																																																																																																																																																																																					
22	10.5	16.1	12.5	50	24.5	30.1	26.5																																																																																																																																																																																																																																					
24	11.5	17.1	13.5	53	26.0	31.6	28.0																																																																																																																																																																																																																																					
<p><b>0.5mm Pitch Vertical Mounting Type</b></p>	<p>*Set the stiffener thickness to 0.188 (7.5mil) min.</p> <p style="text-align: center;">Unit: mm</p> <table border="1"> <thead> <tr> <th rowspan="2">Dimension Number of Contacts</th> <th colspan="2">Dimension</th> <th rowspan="2">Number of Contacts</th> <th colspan="2">Dimension</th> </tr> <tr> <th>A</th> <th>B</th> <th>A</th> <th>B</th> </tr> </thead> <tbody> <tr><td>10</td><td>4.5</td><td>5.5</td><td>26</td><td>12.5</td><td>13.5</td></tr> <tr><td>12</td><td>5.5</td><td>6.5</td><td>30</td><td>14.5</td><td>15.5</td></tr> <tr><td>13</td><td>6.0</td><td>7.0</td><td>32</td><td>15.5</td><td>16.5</td></tr> <tr><td>15</td><td>7.0</td><td>8.0</td><td>33</td><td>16.0</td><td>17.0</td></tr> <tr><td>16</td><td>7.5</td><td>8.5</td><td>34</td><td>16.5</td><td>17.5</td></tr> <tr><td>17</td><td>8.0</td><td>9.0</td><td>36</td><td>17.5</td><td>18.5</td></tr> <tr><td>18</td><td>8.5</td><td>9.5</td><td>40</td><td>19.5</td><td>20.5</td></tr> <tr><td>20</td><td>9.5</td><td>10.5</td><td>45</td><td>22.0</td><td>23.0</td></tr> <tr><td>22</td><td>10.5</td><td>11.5</td><td>49</td><td>24.0</td><td>25.0</td></tr> <tr><td>24</td><td>11.5</td><td>12.5</td><td>50</td><td>24.5</td><td>25.5</td></tr> <tr><td></td><td></td><td></td><td>60</td><td>29.5</td><td>30.5</td></tr> </tbody> </table>	Dimension Number of Contacts	Dimension		Number of Contacts	Dimension		A	B	A	B	10	4.5	5.5	26	12.5	13.5	12	5.5	6.5	30	14.5	15.5	13	6.0	7.0	32	15.5	16.5	15	7.0	8.0	33	16.0	17.0	16	7.5	8.5	34	16.5	17.5	17	8.0	9.0	36	17.5	18.5	18	8.5	9.5	40	19.5	20.5	20	9.5	10.5	45	22.0	23.0	22	10.5	11.5	49	24.0	25.0	24	11.5	12.5	50	24.5	25.5				60	29.5	30.5	<p>Even contact number      Odd contact number</p> <p>Recommended metal mask thickness : 0.15mm</p> <p style="text-align: center;">Unit: mm</p> <table border="1"> <thead> <tr> <th rowspan="2">Dimension Number of Contacts</th> <th colspan="2">Dimension</th> <th rowspan="2">Number of Contacts</th> <th colspan="2">Dimension</th> </tr> <tr> <th>A</th> <th>B</th> <th>A</th> <th>B</th> </tr> </thead> <tbody> <tr><td>10</td><td>6.5</td><td>4.5</td><td>26</td><td>14.5</td><td>12.5</td></tr> <tr><td>12</td><td>7.5</td><td>5.5</td><td>30</td><td>16.5</td><td>14.5</td></tr> <tr><td>13</td><td>8.0</td><td>6.0</td><td>32</td><td>17.5</td><td>15.5</td></tr> <tr><td>15</td><td>9.0</td><td>7.0</td><td>33</td><td>18.0</td><td>16.0</td></tr> <tr><td>16</td><td>9.5</td><td>7.5</td><td>34</td><td>18.5</td><td>16.5</td></tr> <tr><td>17</td><td>10.0</td><td>8.0</td><td>36</td><td>19.5</td><td>17.5</td></tr> <tr><td>18</td><td>10.5</td><td>8.5</td><td>40</td><td>21.5</td><td>19.5</td></tr> <tr><td>20</td><td>11.5</td><td>9.5</td><td>45</td><td>24.0</td><td>22.0</td></tr> <tr><td>22</td><td>12.5</td><td>10.5</td><td>49</td><td>26.0</td><td>24.0</td></tr> <tr><td>24</td><td>13.5</td><td>11.5</td><td>50</td><td>26.5</td><td>24.5</td></tr> <tr><td></td><td></td><td></td><td>60</td><td>31.5</td><td>29.5</td></tr> </tbody> </table>	Dimension Number of Contacts	Dimension		Number of Contacts	Dimension		A	B	A	B	10	6.5	4.5	26	14.5	12.5	12	7.5	5.5	30	16.5	14.5	13	8.0	6.0	32	17.5	15.5	15	9.0	7.0	33	18.0	16.0	16	9.5	7.5	34	18.5	16.5	17	10.0	8.0	36	19.5	17.5	18	10.5	8.5	40	21.5	19.5	20	11.5	9.5	45	24.0	22.0	22	12.5	10.5	49	26.0	24.0	24	13.5	11.5	50	26.5	24.5				60	31.5	29.5																																																																																		
	Dimension Number of Contacts		Dimension			Number of Contacts	Dimension																																																																																																																																																																																																																																					
A		B	A	B																																																																																																																																																																																																																																								
10	4.5	5.5	26	12.5	13.5																																																																																																																																																																																																																																							
12	5.5	6.5	30	14.5	15.5																																																																																																																																																																																																																																							
13	6.0	7.0	32	15.5	16.5																																																																																																																																																																																																																																							
15	7.0	8.0	33	16.0	17.0																																																																																																																																																																																																																																							
16	7.5	8.5	34	16.5	17.5																																																																																																																																																																																																																																							
17	8.0	9.0	36	17.5	18.5																																																																																																																																																																																																																																							
18	8.5	9.5	40	19.5	20.5																																																																																																																																																																																																																																							
20	9.5	10.5	45	22.0	23.0																																																																																																																																																																																																																																							
22	10.5	11.5	49	24.0	25.0																																																																																																																																																																																																																																							
24	11.5	12.5	50	24.5	25.5																																																																																																																																																																																																																																							
			60	29.5	30.5																																																																																																																																																																																																																																							
Dimension Number of Contacts	Dimension		Number of Contacts	Dimension																																																																																																																																																																																																																																								
	A	B		A	B																																																																																																																																																																																																																																							
10	6.5	4.5	26	14.5	12.5																																																																																																																																																																																																																																							
12	7.5	5.5	30	16.5	14.5																																																																																																																																																																																																																																							
13	8.0	6.0	32	17.5	15.5																																																																																																																																																																																																																																							
15	9.0	7.0	33	18.0	16.0																																																																																																																																																																																																																																							
16	9.5	7.5	34	18.5	16.5																																																																																																																																																																																																																																							
17	10.0	8.0	36	19.5	17.5																																																																																																																																																																																																																																							
18	10.5	8.5	40	21.5	19.5																																																																																																																																																																																																																																							
20	11.5	9.5	45	24.0	22.0																																																																																																																																																																																																																																							
22	12.5	10.5	49	26.0	24.0																																																																																																																																																																																																																																							
24	13.5	11.5	50	26.5	24.5																																																																																																																																																																																																																																							
			60	31.5	29.5																																																																																																																																																																																																																																							

May.1.2016 Copyright 2016 HIROSE ELECTRIC CO., LTD. All Rights Reserved.

# Recommended FPC/FFC dimensions and Land/Metal Mask dimensions

## 1mm Pitch Product

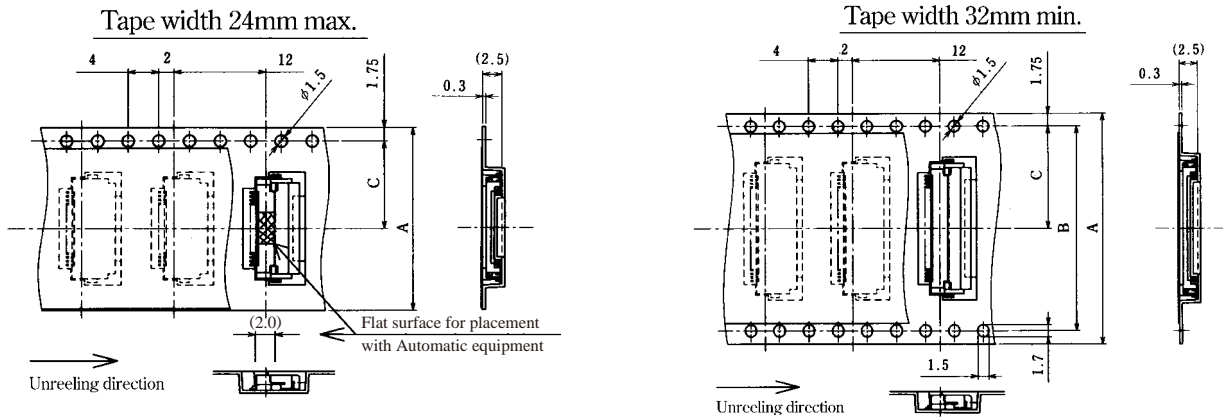
May.1.2016 Copyright 2016 HIROSE ELECTRIC CO., LTD. All Rights Reserved.

	FPC/FFC dimensions	Land / Metal Mask dimensions																																																																																																																																																																																																																																								
<b>1mm Pitch Bottom Contact Type</b>	<p>※Set the stiffener thickness to 0.188 (7.5mil) min.</p> <p style="text-align: right;">Unit: mm</p> <table border="1"> <thead> <tr> <th rowspan="2">Dimension Number of Contacts</th> <th colspan="3">Standard Type</th> <th rowspan="2">Dimension Number of Contacts</th> <th colspan="3">Eccentric Type</th> </tr> <tr> <th>A</th> <th>B</th> <th>C</th> <th>A</th> <th>B</th> <th>C</th> </tr> </thead> <tbody> <tr><td>5</td><td>4</td><td>6</td><td>1</td><td>4</td><td>3</td><td>5.5</td><td>1.5</td></tr> <tr><td>6</td><td>5</td><td>7</td><td>1</td><td>6</td><td>5</td><td>7.5</td><td>1.5</td></tr> <tr><td>7</td><td>6</td><td>8</td><td>1</td><td>8</td><td>7</td><td>9.5</td><td>1.5</td></tr> <tr><td>8</td><td>7</td><td>9</td><td>1</td><td>10</td><td>9</td><td>11.5</td><td>1.5</td></tr> <tr><td>9</td><td>8</td><td>10</td><td>1</td><td>11</td><td>10</td><td>12.5</td><td>1.5</td></tr> <tr><td>11</td><td>10</td><td>12</td><td>1</td><td>14</td><td>13</td><td>15.5</td><td>1.5</td></tr> <tr><td>12</td><td>11</td><td>13</td><td>1</td><td>19</td><td>18</td><td>20.5</td><td>1.5</td></tr> <tr><td>16</td><td>15</td><td>17</td><td>1</td><td>24</td><td>23</td><td>25.5</td><td>1.5</td></tr> <tr><td>17</td><td>16</td><td>18</td><td>1</td><td></td><td></td><td></td><td></td></tr> <tr><td>22</td><td>21</td><td>23</td><td>1</td><td></td><td></td><td></td><td></td></tr> <tr><td>26</td><td>25</td><td>27</td><td>1</td><td></td><td></td><td></td><td></td></tr> </tbody> </table>	Dimension Number of Contacts	Standard Type			Dimension Number of Contacts	Eccentric Type			A	B	C	A	B	C	5	4	6	1	4	3	5.5	1.5	6	5	7	1	6	5	7.5	1.5	7	6	8	1	8	7	9.5	1.5	8	7	9	1	10	9	11.5	1.5	9	8	10	1	11	10	12.5	1.5	11	10	12	1	14	13	15.5	1.5	12	11	13	1	19	18	20.5	1.5	16	15	17	1	24	23	25.5	1.5	17	16	18	1					22	21	23	1					26	25	27	1					<p>Recommended metal mask thickness : 0.15mm</p> <p style="text-align: right;">Unit: mm</p> <table border="1"> <thead> <tr> <th rowspan="2">Dimension Number of Contacts</th> <th colspan="5">Standard Type</th> <th rowspan="2">Dimension Number of Contacts</th> <th colspan="5">Eccentric Type</th> </tr> <tr> <th>A</th> <th>B</th> <th>C</th> <th>D</th> <th>A</th> <th>B</th> <th>C</th> <th>D</th> </tr> </thead> <tbody> <tr><td>5</td><td>4</td><td>10.6</td><td>7</td><td>1.5</td><td>4</td><td>3</td><td>10.1</td><td>6.5</td><td>2</td></tr> <tr><td>6</td><td>5</td><td>11.6</td><td>8</td><td>1.5</td><td>6</td><td>5</td><td>12.1</td><td>8.5</td><td>2</td></tr> <tr><td>7</td><td>6</td><td>12.6</td><td>9</td><td>1.5</td><td>8</td><td>7</td><td>14.1</td><td>10.5</td><td>2</td></tr> <tr><td>8</td><td>7</td><td>13.6</td><td>10</td><td>1.5</td><td>10</td><td>9</td><td>16.1</td><td>12.5</td><td>2</td></tr> <tr><td>9</td><td>8</td><td>14.6</td><td>11</td><td>1.5</td><td>11</td><td>10</td><td>17.1</td><td>13.5</td><td>2</td></tr> <tr><td>11</td><td>10</td><td>16.6</td><td>13</td><td>1.5</td><td>14</td><td>13</td><td>20.1</td><td>16.5</td><td>2</td></tr> <tr><td>12</td><td>11</td><td>17.6</td><td>14</td><td>1.5</td><td>19</td><td>18</td><td>25.1</td><td>21.5</td><td>2</td></tr> <tr><td>16</td><td>15</td><td>21.6</td><td>18</td><td>1.5</td><td>24</td><td>23</td><td>30.1</td><td>26.5</td><td>2</td></tr> <tr><td>17</td><td>16</td><td>22.6</td><td>19</td><td>1.5</td><td></td><td></td><td></td><td></td><td></td></tr> <tr><td>22</td><td>21</td><td>27.6</td><td>24</td><td>1.5</td><td></td><td></td><td></td><td></td><td></td></tr> <tr><td>26</td><td>25</td><td>31.6</td><td>28</td><td>1.5</td><td></td><td></td><td></td><td></td><td></td></tr> </tbody> </table>	Dimension Number of Contacts	Standard Type					Dimension Number of Contacts	Eccentric Type					A	B	C	D	A	B	C	D	5	4	10.6	7	1.5	4	3	10.1	6.5	2	6	5	11.6	8	1.5	6	5	12.1	8.5	2	7	6	12.6	9	1.5	8	7	14.1	10.5	2	8	7	13.6	10	1.5	10	9	16.1	12.5	2	9	8	14.6	11	1.5	11	10	17.1	13.5	2	11	10	16.6	13	1.5	14	13	20.1	16.5	2	12	11	17.6	14	1.5	19	18	25.1	21.5	2	16	15	21.6	18	1.5	24	23	30.1	26.5	2	17	16	22.6	19	1.5						22	21	27.6	24	1.5						26	25	31.6	28	1.5					
	Dimension Number of Contacts		Standard Type				Dimension Number of Contacts	Eccentric Type																																																																																																																																																																																																																																		
A		B	C	A	B	C																																																																																																																																																																																																																																				
5	4	6	1	4	3	5.5	1.5																																																																																																																																																																																																																																			
6	5	7	1	6	5	7.5	1.5																																																																																																																																																																																																																																			
7	6	8	1	8	7	9.5	1.5																																																																																																																																																																																																																																			
8	7	9	1	10	9	11.5	1.5																																																																																																																																																																																																																																			
9	8	10	1	11	10	12.5	1.5																																																																																																																																																																																																																																			
11	10	12	1	14	13	15.5	1.5																																																																																																																																																																																																																																			
12	11	13	1	19	18	20.5	1.5																																																																																																																																																																																																																																			
16	15	17	1	24	23	25.5	1.5																																																																																																																																																																																																																																			
17	16	18	1																																																																																																																																																																																																																																							
22	21	23	1																																																																																																																																																																																																																																							
26	25	27	1																																																																																																																																																																																																																																							
Dimension Number of Contacts	Standard Type					Dimension Number of Contacts	Eccentric Type																																																																																																																																																																																																																																			
	A	B	C	D	A		B	C	D																																																																																																																																																																																																																																	
5	4	10.6	7	1.5	4	3	10.1	6.5	2																																																																																																																																																																																																																																	
6	5	11.6	8	1.5	6	5	12.1	8.5	2																																																																																																																																																																																																																																	
7	6	12.6	9	1.5	8	7	14.1	10.5	2																																																																																																																																																																																																																																	
8	7	13.6	10	1.5	10	9	16.1	12.5	2																																																																																																																																																																																																																																	
9	8	14.6	11	1.5	11	10	17.1	13.5	2																																																																																																																																																																																																																																	
11	10	16.6	13	1.5	14	13	20.1	16.5	2																																																																																																																																																																																																																																	
12	11	17.6	14	1.5	19	18	25.1	21.5	2																																																																																																																																																																																																																																	
16	15	21.6	18	1.5	24	23	30.1	26.5	2																																																																																																																																																																																																																																	
17	16	22.6	19	1.5																																																																																																																																																																																																																																						
22	21	27.6	24	1.5																																																																																																																																																																																																																																						
26	25	31.6	28	1.5																																																																																																																																																																																																																																						
<b>1mm Pitch Vertical Mounting Type</b>	<p>※Set the stiffener thickness to 0.188 (7.5mil) min.</p> <p style="text-align: right;">Unit: mm</p> <table border="1"> <thead> <tr> <th rowspan="2">Dimension Number of Contacts</th> <th colspan="2">Standard Type</th> </tr> <tr> <th>A</th> <th>B</th> </tr> </thead> <tbody> <tr><td>6</td><td>5</td><td>7</td></tr> <tr><td>7</td><td>6</td><td>8</td></tr> <tr><td>8</td><td>7</td><td>9</td></tr> <tr><td>16</td><td>15</td><td>17</td></tr> <tr><td>20</td><td>19</td><td>21</td></tr> <tr><td>22</td><td>21</td><td>23</td></tr> <tr><td>24</td><td>23</td><td>25</td></tr> </tbody> </table>	Dimension Number of Contacts	Standard Type		A	B	6	5	7	7	6	8	8	7	9	16	15	17	20	19	21	22	21	23	24	23	25	<p>Recommended metal mask thickness : 0.15mm</p> <p style="text-align: right;">Unit: mm</p> <table border="1"> <thead> <tr> <th rowspan="2">Dimension Number of Contacts</th> <th colspan="2">Standard Type</th> </tr> <tr> <th>A</th> <th>B</th> </tr> </thead> <tbody> <tr><td>6</td><td>8</td><td>5</td></tr> <tr><td>7</td><td>9</td><td>6</td></tr> <tr><td>8</td><td>10</td><td>7</td></tr> <tr><td>16</td><td>18</td><td>15</td></tr> <tr><td>20</td><td>22</td><td>19</td></tr> <tr><td>22</td><td>24</td><td>21</td></tr> <tr><td>24</td><td>26</td><td>23</td></tr> </tbody> </table>	Dimension Number of Contacts	Standard Type		A	B	6	8	5	7	9	6	8	10	7	16	18	15	20	22	19	22	24	21	24	26	23																																																																																																																																																																																				
	Dimension Number of Contacts		Standard Type																																																																																																																																																																																																																																							
A		B																																																																																																																																																																																																																																								
6	5	7																																																																																																																																																																																																																																								
7	6	8																																																																																																																																																																																																																																								
8	7	9																																																																																																																																																																																																																																								
16	15	17																																																																																																																																																																																																																																								
20	19	21																																																																																																																																																																																																																																								
22	21	23																																																																																																																																																																																																																																								
24	23	25																																																																																																																																																																																																																																								
Dimension Number of Contacts	Standard Type																																																																																																																																																																																																																																									
	A	B																																																																																																																																																																																																																																								
6	8	5																																																																																																																																																																																																																																								
7	9	6																																																																																																																																																																																																																																								
8	10	7																																																																																																																																																																																																																																								
16	18	15																																																																																																																																																																																																																																								
20	22	19																																																																																																																																																																																																																																								
22	24	21																																																																																																																																																																																																																																								
24	26	23																																																																																																																																																																																																																																								

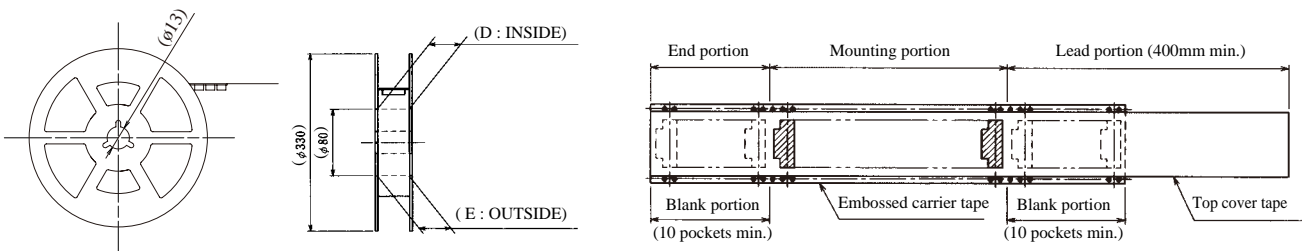
# Packaging Specification

## Embossed Carrier Tape Dimensions

### Horizontal Type (Common to Bottom/Top Contact, 0.5mm/1mm Pitch)



### Reel Dimensions (Common to All Types)



### 0.5mm Pitch Bottom/Top Contact Type

Dimension	A	B	C	D	E
6	16	—	7.5	17.4	21.4
8	16	—	7.5	17.4	21.4
10	16	—	7.5	17.4	21.4
11	16	—	7.5	17.4	21.4
12	24	—	11.5	25.4	29.4
13	24	—	11.5	25.4	29.4
14	24	—	11.5	25.4	29.4
15	24	—	11.5	25.4	29.4
16	24	—	11.5	25.4	29.4
17	24	—	11.5	25.4	29.4
18	24	—	11.5	25.4	29.4
19	24	—	11.5	25.4	29.4
20	24	—	11.5	25.4	29.4
22	24	—	11.5	25.4	29.4
24	24	—	11.5	25.4	29.4

Unit:mm

Dimension	A	B	C	D	E
25	24	—	11.5	25.4	29.4
26	24	—	11.5	25.4	29.4
28	32	28.4	14.2	33.4	37.4
29	32	28.4	14.2	33.4	37.4
30	32	28.4	14.2	33.4	37.4
32	32	28.4	14.2	33.4	37.4
33	32	28.4	14.2	33.4	37.4
34	32	28.4	14.2	33.4	37.4
35	44	40.4	20.2	45.4	49.4
36	44	40.4	20.2	45.4	49.4
40	44	40.4	20.2	45.4	49.4
42	44	40.4	20.2	45.4	49.4
45	44	40.4	20.2	45.4	49.4
50	44	40.4	20.2	45.4	49.4
53	44	40.4	20.2	45.4	49.4

### 1mm Pitch Bottom Contact Type

Unit:mm

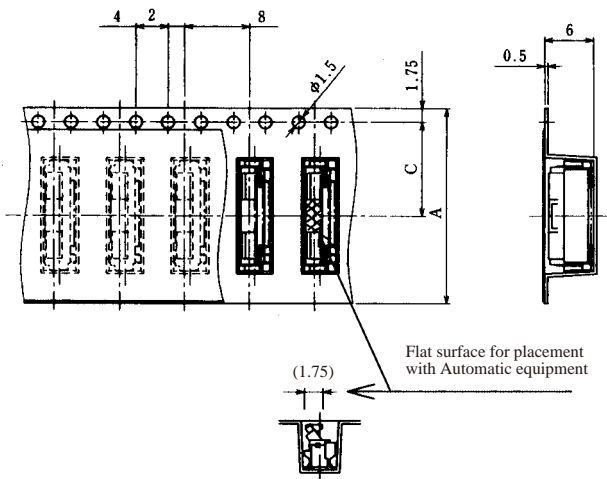
Dimension	A	B	C	D	E
5	16	—	7.5	17.4	21.4
6	24	—	11.5	25.4	29.4
7	24	—	11.5	25.4	29.4
8	24	—	11.5	25.4	29.4
9	24	—	11.5	25.4	29.4
11	24	—	11.5	25.4	29.4
12	24	—	11.5	25.4	29.4
16	32	28.4	14.2	33.4	37.4
17	44	40.4	20.2	45.4	49.4
22	44	40.4	20.2	45.4	49.4
26	44	40.4	20.2	45.4	49.4

Dimension	A	B	C	D	E
4	16	—	7.5	17.4	21.4
6	24	—	11.5	25.4	29.4
8	24	—	11.5	25.4	29.4
10	24	—	11.5	25.4	29.4
11	24	—	11.5	25.4	29.4
14	32	28.4	14.2	33.4	37.4
19	44	40.4	20.2	45.4	49.4
24	44	40.4	20.2	45.4	49.4

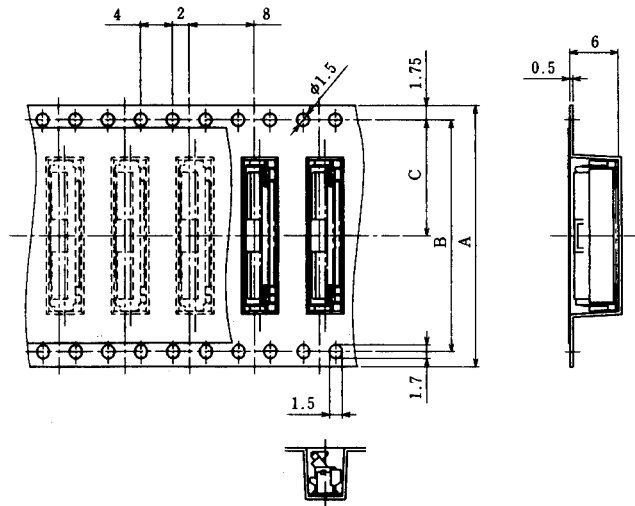
May.1.2016 Copyright 2016 HIROSE ELECTRIC CO., LTD. All Rights Reserved.

### Vertical Mounting Type (Common to 0.5mm/1mm Pitch)

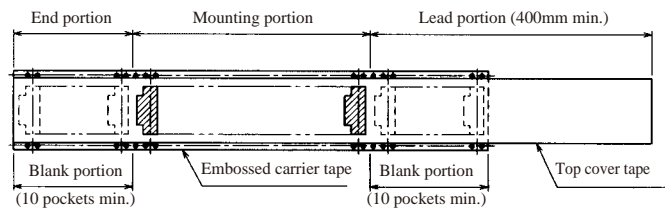
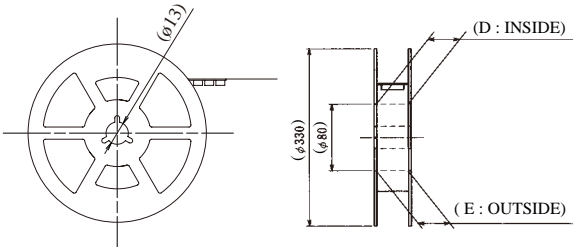
Tape width 24mm max.



Tape width 32mm min.



### Reel Dimensions (Common to All Types)



#### ●0.5mm Pitch Vertical mounting Type

Unit:mm

Dimension Number of Contacts	A	B	C	D	E
10	16	—	7.5	17.4	21.4
12	16	—	7.5	17.4	21.4
13	24	—	11.5	25.4	29.4
15	24	—	11.5	25.4	29.4
16	24	—	11.5	25.4	29.4
17	24	—	11.5	25.4	29.4
18	24	—	11.5	25.4	29.4
20	24	—	11.5	25.4	29.4
22	24	—	11.5	25.4	29.4
24	24	—	11.5	25.4	29.4

Dimension Number of Contacts	A	B	C	D	E
26	24	—	11.5	25.4	29.4
30	32	28.4	14.2	33.4	37.4
32	32	28.4	14.2	33.4	37.4
33	32	28.4	14.2	33.4	37.4
34	44	40.4	20.2	45.4	49.4
36	44	40.4	20.2	45.4	49.4
40	44	40.4	20.2	45.4	49.4
45	44	40.4	20.2	45.4	49.4
49	44	40.4	20.2	45.4	49.4
50	44	40.4	20.2	45.4	49.4
60	56	52.4	26.2	57.4	61.4

#### ●1mm Pitch Vertical mounting Type

Unit:mm

Dimension Number of Contacts	A	B	C	D	E
6	24	—	11.5	25.4	29.4
7	24	—	11.5	25.4	29.4
8	24	—	11.5	25.4	29.4
16	32	28.4	14.2	33.4	37.4
20	44	40.4	20.2	45.4	49.4
22	44	40.4	20.2	45.4	49.4
24	44	40.4	20.2	45.4	49.4

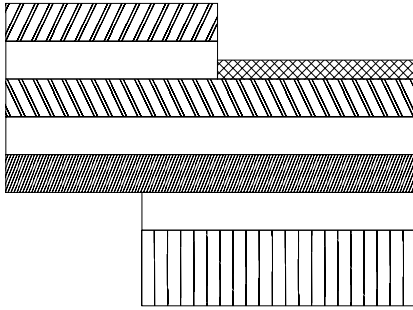
May.1.2016 Copyright 2016 HIROSE ELECTRIC CO., LTD. All Rights Reserved.



## FH12 Series FPC/FFC Construction (Recommended Specifications)

### 1. FFC

### FFC : Flexible Flat Cable



Material Name	Material	Thickness (μm)
Polyester film		(12)
Adhesive	Thermoplastic polyester	(30)
(Nickel under plated / Gold plated), soft copper film		35
Adhesive	Polyester type	30
Polyester		12
Adhesive	Polyester type	30
Stiffener	Polyester type	188 (Note)
Total		295

\*Real tolerance of thickness dimension is on the order of  $\pm 20 \mu\text{m}$  (275 to 315  $\mu\text{m}$ )

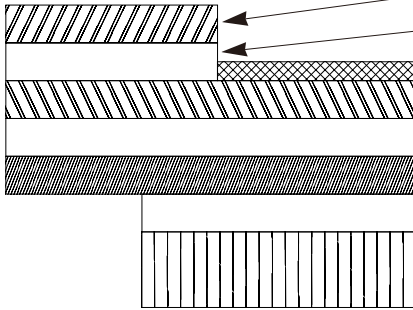
Note: Use of a thicker FFC results in a stiffer lock action and the lock is more easily released.

A factor that contributes to thicker FFC is the use of 250  $\mu\text{m}$  stiffener which is thicker than the standard (188  $\mu\text{m}$ ) product. This results in a total thickness of 357  $\mu\text{m}$ .

When using FFC, control of FFC thickness becomes easy if you indicate to us the thickness of the stiffener.

### 2. FPC

### FPC : Flexible Printed Circuit

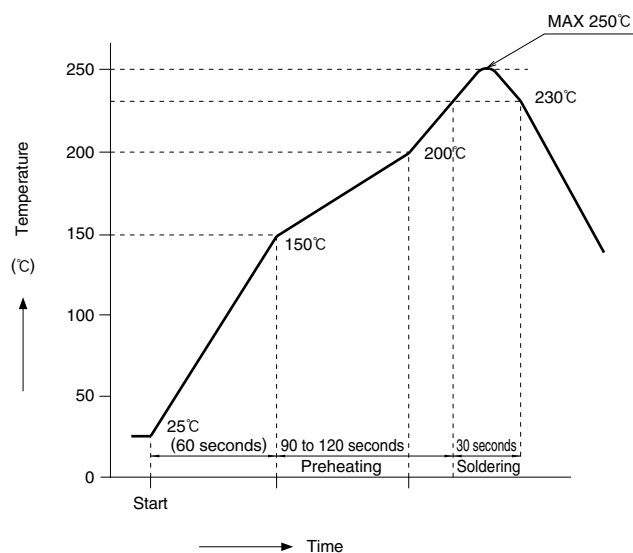


Material Name	Material	Thickness (μm)
Covering layer film	Polyimide 1 mil	(25)
Cover adhesive		(25)
Surface treatment	Nickel under plated 1to 5 $\mu\text{m}$ / Gold plated 0.2 $\mu\text{m}$	3
Copper foil	Cu 1oz	35
Base adhesive	Heat-hardened adhesive	25
Base film	Polyimide 1 mil	25
Reinforcement material adhesive	Heat-hardened adhesive	30
Stiffener	Polyimide 7 mil	175
Total		293

### 3. Precautions

1. This specification is a recommendation for the construction of the FH12 Series FPC and FFC ( $t=0.3 \pm 0.05$ ).
2. For details about the construction, please contact the FPC/FFC manufacturers.

## Recommended Temperature Profile



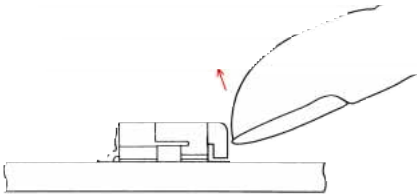
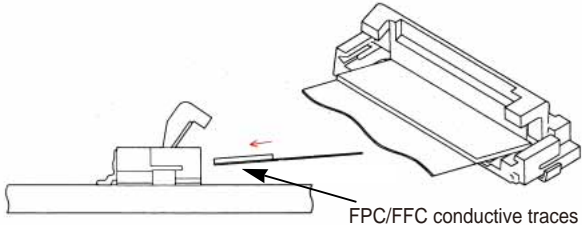
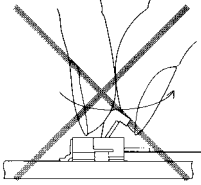
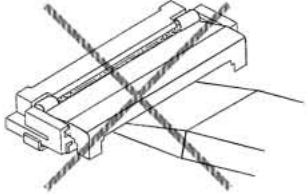
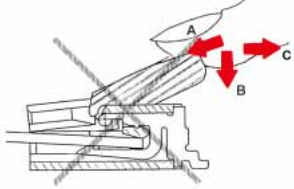
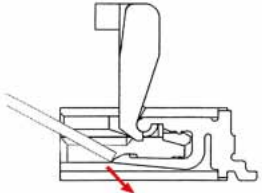
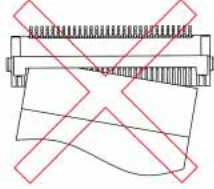
### HRS test conditions

- Solder method :Reflow, IR/hot air
- Environment: :Room air
- Solder composition :Paste, 96.5%Sn/3%Ag/0.5%Cu (Senju Metal Industry, Co., Ltd.'s Part Number: M705-221CM5-32-10.5)
- Test board :Glass epoxy 40mm×80mm×1.6mm thick
- Land dimensions :Top and bottom contact type 0.3mm×1.3mm Vertical mounting type 0.6mm×1.5mm
- Metal mask :Top and bottom contact type 0.25mm×1.3mm×0.15mm thick Vertical mounting type 0.5mm×1.5mm×0.15mm thick

This temperature profile is based on the above conditions. In individual applications the actual temperature may vary, depending on solder paste type, volume/thickness and board size/thickness. Consult your solder paste and equipment manufacturer for specific recommendations.

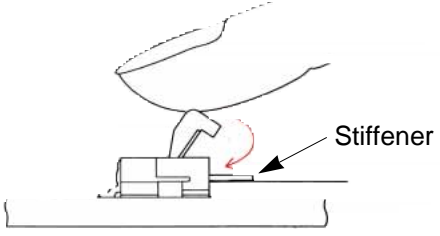
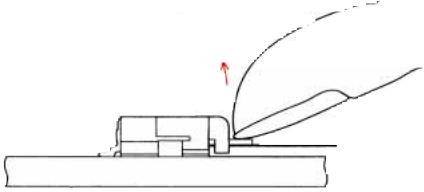
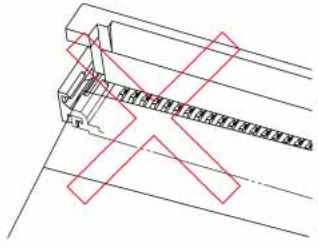
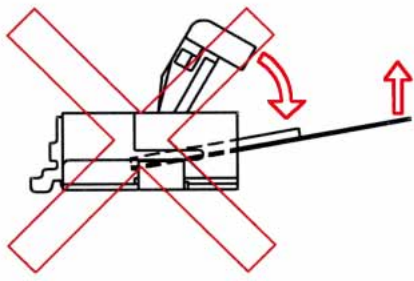
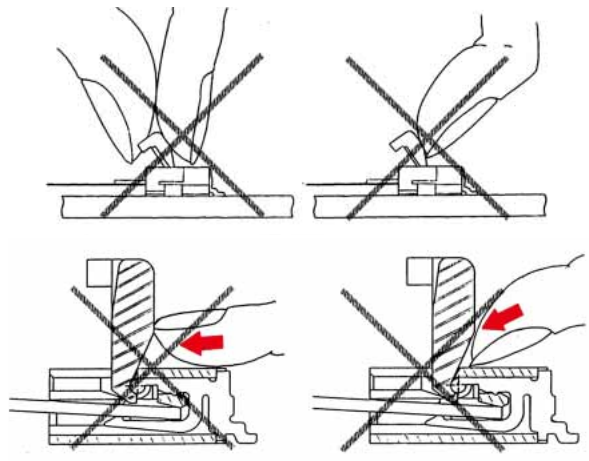
## ■ Connector Operating Instructions, precautions and recommendations

### ● Bottom Contact Type (common for 0.5mm/1mm Pitch)

Operation	Precautions
<p><b>1. FPC/FFC Termination procedure. Connector installed on the board.</b></p> <p>1) Lift up the actuator. Use thumb or index finger.</p>  <p>2) Fully insert the FPC/FFC parallel to mounting surface, with the exposed conductive traces facing down.</p> 	<p>1) Avoid grasping the actuator with two fingers or lifting the actuator with fingernail.</p>  <p>2) Do not use a thin tool such as the tip of a screwdriver to release the lock lever. Doing so will cause deformation of the contacts.</p>  <p>3) Do not apply force in the direction of arrows A, B, or C while the lock lever is open. Doing so will cause the lock lever to become disengaged, or will damage the hook portion of the connector body.</p>  <p>4) When inserting the FPC/FFC, do not forcefully rub against the surface beneath the connector insertion slot. Doing so will result in the FPC/FFC forcefully striking the contacts and this will cause contact deformation, peeling of the FPC/FFC conductors, and other irregularities.</p>  <p>5) Insert the FPC/FFC at the proper position of the connector insertion slot, and insert perpendicularly with respect to the connector. Improper insertion will cause continuity problems, disengagement of the lock lever, and damage to the hook portion.</p> 

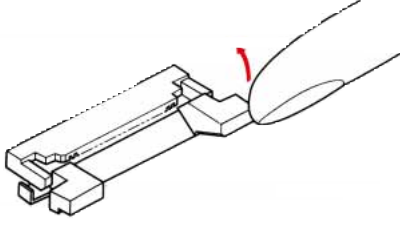
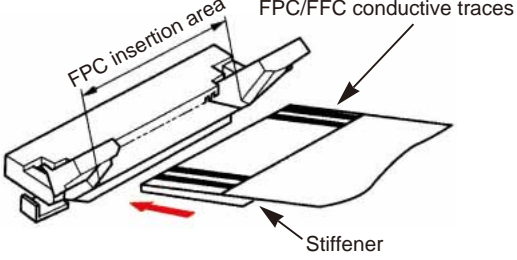
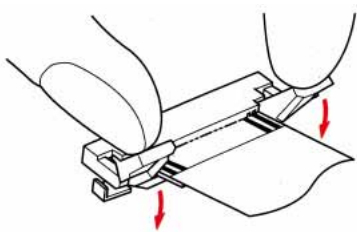
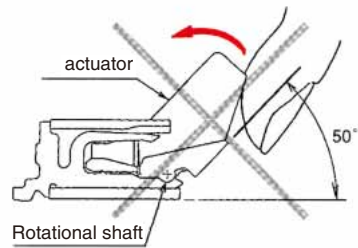
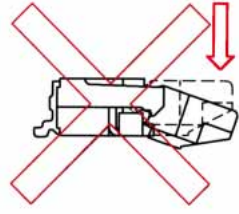
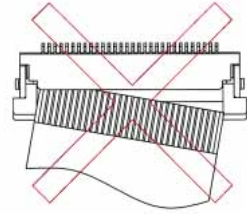
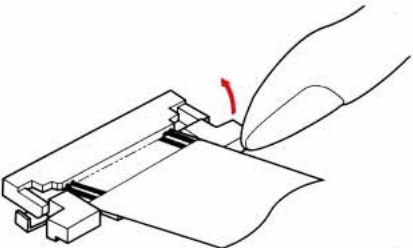
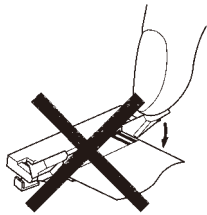
May.1.2016 Copyright 2016 HIROSE ELECTRIC CO., LTD. All Rights Reserved.

### ●Bottom Contact Type (common for 0.5mm/1mm Pitch)

Operation	Precautions
<p>3) Rotate down the actuator until firmly closed. It is critical that the inserted FPC/FFC is not moved and remains fully inserted. Should the FPC/FFC be moved, open the actuator and repeat the process, starting with Step 1.</p>  <p><b>2. FPC/FFC Removal</b></p> <p>1) Lift up the actuator. 2) Carefully remove the FPC/FFC.</p> 	<p>6) Partial insertion of the FPC/FFC, offset insertion, and diagonal insertion will result in an unfavorable engagement of the lock lever in which the lock lever is raised. To correct this, first remove the FPC/FFC and then reinsert it. Forcing the lock will damage the connector.</p>  <p>7) When locking, handle the FPC/FFC so that a load is not applied to the FPC/FFC as would occur by pulling the FPC/FFC, or lifting it, etc. When a load is applied in the opposite direction to the rotational movement of the lock, an excessive load will be applied and this will cause connector damage.</p>  <p>8) At the time of lock operation, application of force such as that indicated by the arrows in the diagrams below will cause the lock lever to disengage. When the lock lever has become disengaged, please exchange the entire connector.</p> 

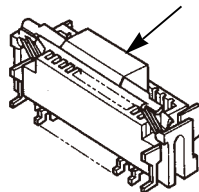
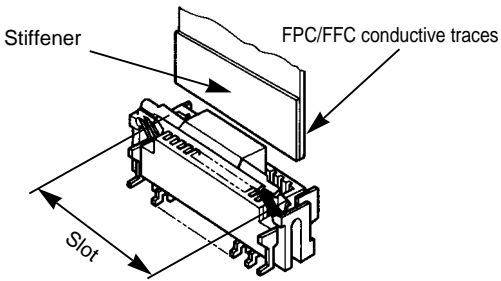
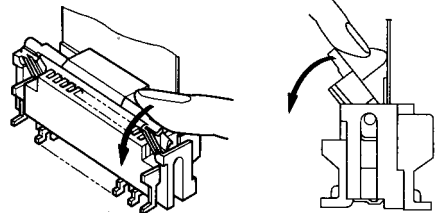
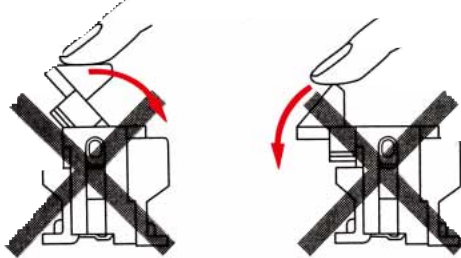
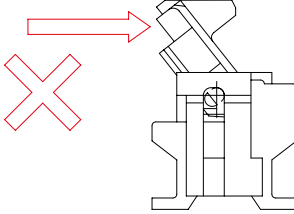
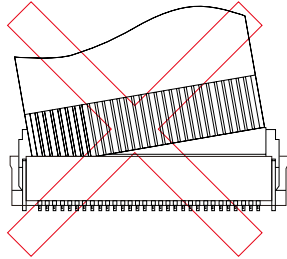
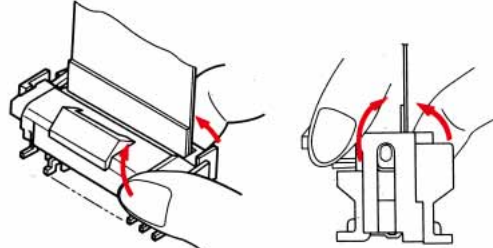
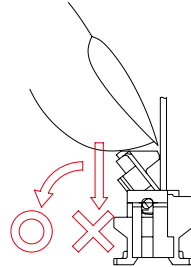
May.1.2016 Copyright 2016 HIROSE ELECTRIC CO., LTD. All Rights Reserved.

## ●Top Contact Type

Operation	Precautions
<p><b>1. FPC/FFC Termination procedure.</b> <b>Connector installed on the board.</b></p> <p>1) Lift up the actuator. Use thumb or index finger.</p>  <p>2) Fully insert the FPC/FFC parallel to mounting surface, with the exposed conductive traces facing UP.</p>  <p>3) Rotate down the actuator until firmly closed. It is critical that the inserted FPC/FFC is not moved and remains fully inserted. Should the FPC/FFC be moved, open the actuator and repeat the process, starting with Step 1 above.</p> 	<p>1) Avoid further lifting of the actuator once the lock has been released. Doing so will cause the lock lever to separate from the rotational shaft, and the lock lever will become disengaged or the hook portion of the connector body will be damaged.</p>  <p>2) Avoid further pressing of the lock portion from the locked condition when the FPC/FFC has not yet been inserted. Doing so will cause the lock lever to become disengaged from the rotational shaft, and the hook portion of the connector body will be damaged.</p>  <p>3) Do not insert the FPC/FFC diagonally. Doing so will result in the corners of the FPC/FFC catching on the contacts and will cause deformation of the contacts.</p> 
<p><b>2. FPC/FFC Removal</b></p> <p>1) Lift up the actuator. 2) Carefully remove the FPC/FFC.</p> 	<p>4) When closing down the actuator apply equal pressure to both sides of the actuator.</p> 

May.1.2016 Copyright 2016 HIROSE ELECTRIC CO., LTD. All Rights Reserved.

## ●Vertical Mounting type (common for 0.5 mm/1 mm pitch)

Operation	Precautions
<p><b>1. FPC/FFC Termination procedure. Connector installed on the board.</b></p> <p>1) Verify that the actuator is positioned upright. If the actuator has rotated to the side, carefully rotate it upright. Actuator upright</p>  <p>2) Insert the FPC/FFC vertically in the connector slot assuring that the conductive traces of the FPC/FFC are facing away from the actuator.</p>  <p>3) Press down the actuator in the direction shown.</p> 	<p>1) Avoid forcing the actuator up or down without the FPC/FFC inserted.</p>  <p>2) Do not attempt to open or over rotate an already released actuator (refer to the diagram below). These actions may damage the actuator.</p>  <p>3) Do not insert the FPC/FFC diagonally. Doing so will result in the corners of the FPC/FFC catching on the contacts and will cause deformation of the contacts.</p> 
<p><b>2. FPC/FFC Removal</b></p> <p>Rotate the actuator upward and withdraw the FPC/FFC.</p> 	<p>4) Do not press down vertically on the actuator when the FPC/FFC already inserted, it needs to be rotated to engage the lock. Refer to the diagram below. Doing so may cause actuator failure.</p> 



## HIROSE ELECTRIC CO.,LTD.

6-3,Nakagawa Chuoh-2-Chome,Tsuzuki-Ku,Yokohama-Shi 224-8540,JAPAN  
 TEL: +81-45-620-3526 Fax: +81-45-591-3726  
<http://www.hirose.com>  
<http://www.hirose-connectors.com>