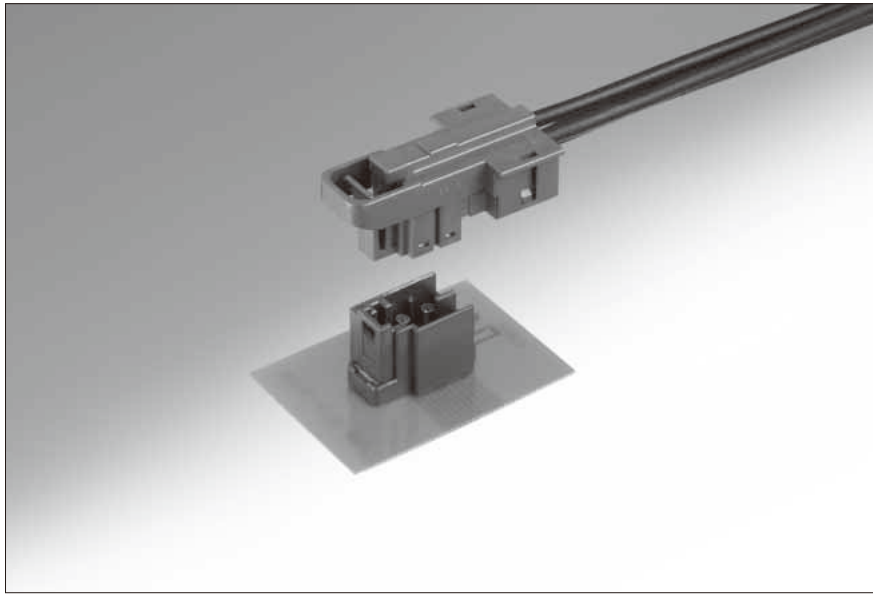


## For Antenna

# GT36 Series

— Integrates AM-FM, SDARS, GPS, Bluetooth, and Cell —



### ■ Features

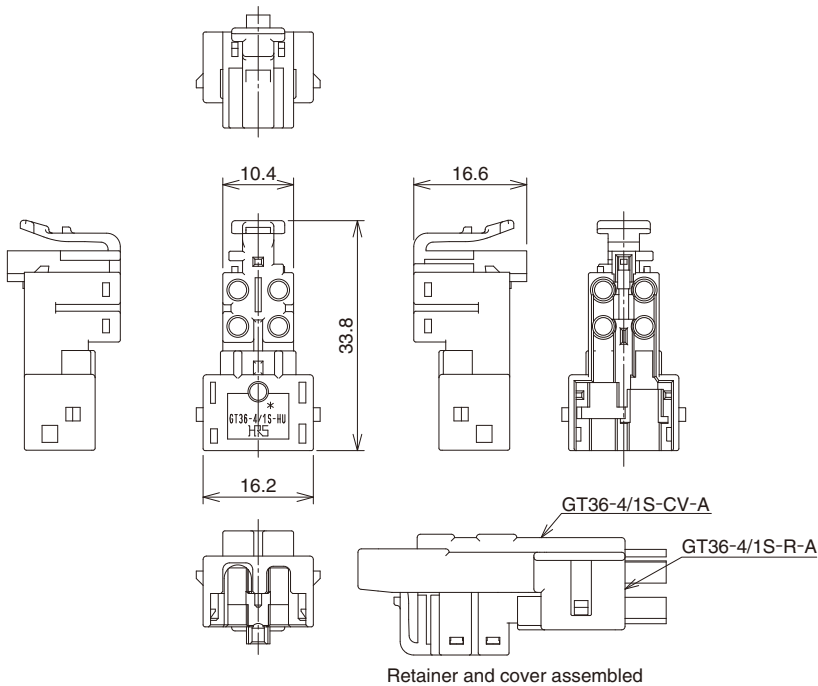
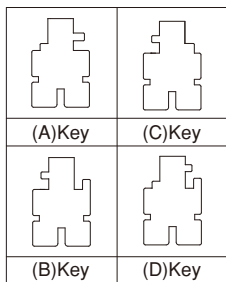
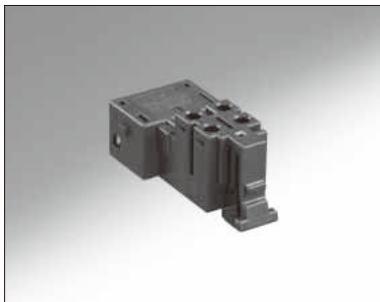
- Frequency range DC ~ 2.5GHz
- Board connector straight type/ Cable connector right-angle type

### ■ Applications

Various antennas with frequency range DC~2.5GHz  
(Ex. AM-FM, SDARS, GPS, Bluetooth, and Cell etc)

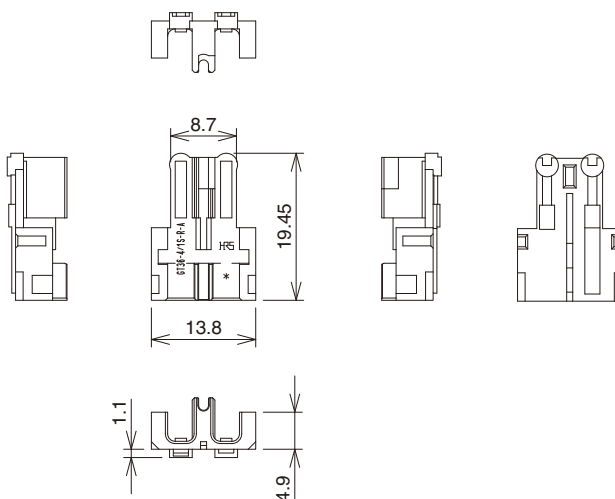
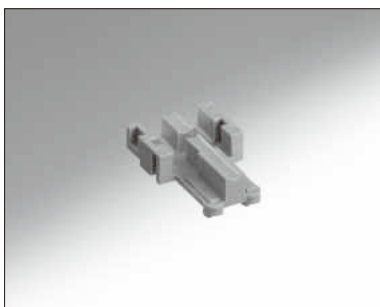
For Antenna  
GT5  
GT13  
GT16  
PO5G  
GT19  
GT21  
GT26  
GT36  
GT11  
GT17  
GT32  
GT3  
GT7  
GT10  
GT18W  
GT25  
GT8E  
GT9  
GT15

### Housing for F connector (4 coaxials)



Part No.	HRS No.	Material	Color	Key polarizing code	Packaging	RoHS
GT36-4/1S-HU(A)-A	786-0065-0	PBT	Brown	(A)	1	YES
GT36-4/1S-HU(B)-A	786-0066-2		Green	(B)		
GT36-4/1S-HU(C)-A	786-0067-5		Blue	(C)		
GT36-4/1S-HU(D)-A	786-0068-8		Black	(D)		

### Retainer for F connector



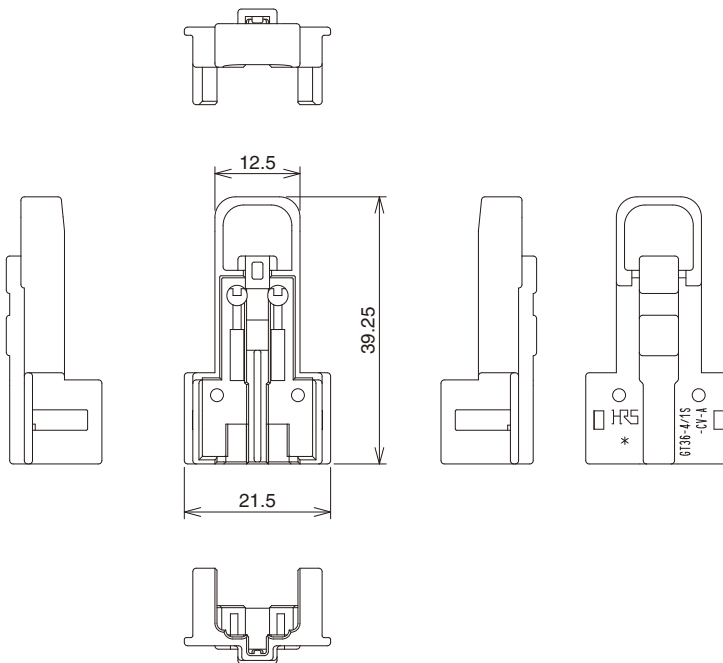
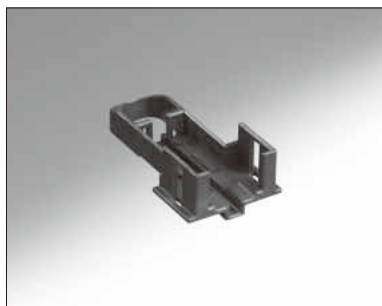
Part No.	HRS No.	Material	Color	Packaging	RoHS
GT36-4/1S-R-A	786-0069-0	PBT	Light Gray	1	YES

May.1.2016 Copyright 2016 HIROSE ELECTRIC CO., LTD. All Rights Reserved.

May.1.2016 Copyright 2016 HIROSE ELECTRIC CO., LTD. All Rights Reserved. Antenna

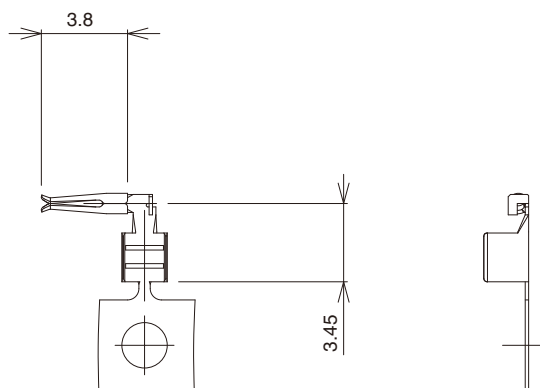
- GT5
- GT13
- GT16
- PO5G
- GT19
- GT21
- GT26
- GT36**
- GT11
- GT17
- GT32
- GT3
- GT7
- GT10
- GT18W
- GT25
- GT8E
- GT9
- GT15

## ■ Cover for F connector



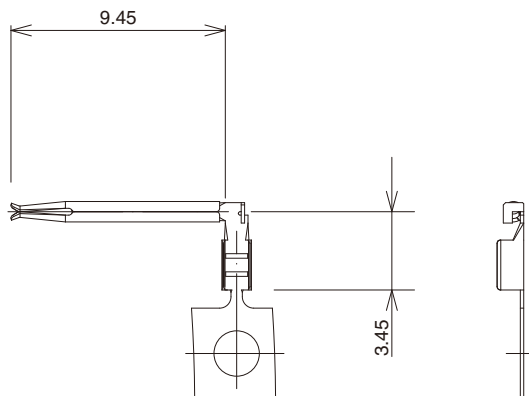
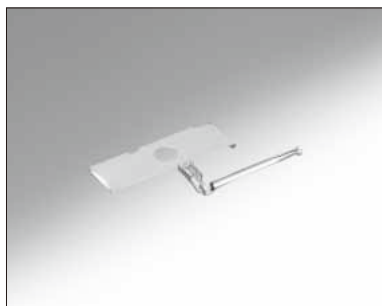
Part No.	HRS No.	Material	Color	Packaging	RoHS
GT36-4/1S-CV-A	786-0070-0	PBT	Dark Gray	1	YES

## ■ Center terminal for F connector (short)



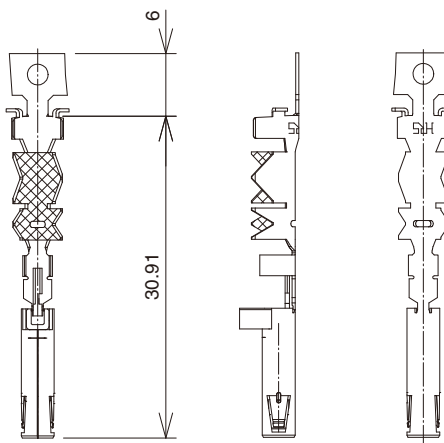
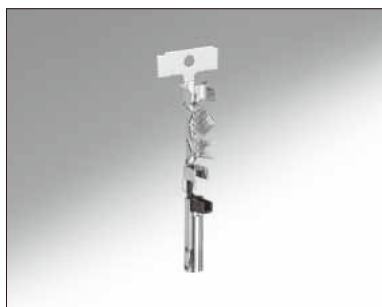
Part No.	HRS No.	Material/Plating or Color	Applicable cable	Packaging	RoHS
GT36A-2022SCF	786-0028-3	Center terminal : Phosphor	2.5D-2V	12,000 pcs/reel	YES
GT36-2428SCF	786-0001-7	bronze/Tin plating	1.5D-2V	13,000 pcs/reel	

### Center terminal for F connector (long)



Part No.	HRS No.	Material/Plating or Color	Applicable cable	Packaging	RoHS
GT36-2428SCF(A)	786-0010-8	Center terminal : Phosphor bronze / Tin plating	1.5D-2V	9,000 pcs/reel	YES
GT36-30SCF(ID)(A)	786-0042-4		1.5C-2V(single wire)	12,000 pcs/reel	

### Outer terminal for F connector (long)



Part No.	HRS No.	Material/Plating or Color	Applicable cable	Packaging	RoHS
GT36-1.6-2.9SCF(A)	786-0004-5	Insulator : PBT / Dark Gray Outer terminal : Brass / Tin plating	1.5D-2V	6,500 pcs/reel	YES

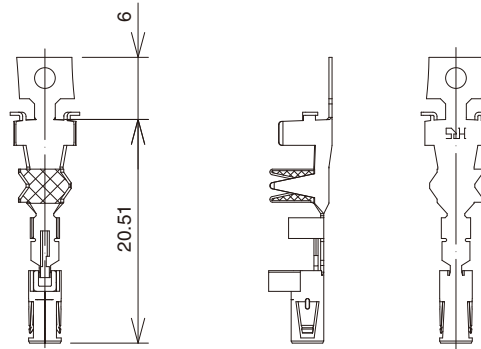
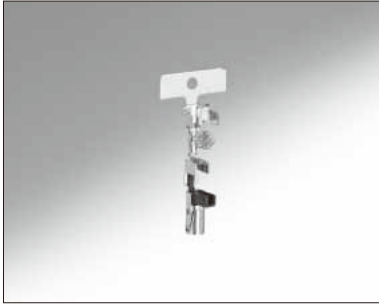
May.1.2016 Copyright 2016 HIROSE ELECTRIC CO., LTD. All Rights Reserved.

- GT5
- GT13
- GT16
- PO5G
- GT19
- GT21
- GT26
- GT36
- GT11
- GT17
- GT32
- GT3
- GT7
- GT10
- GT18W
- GT25
- GT8E
- GT9
- GT15

May.1.2016 Copyright 2016 HIROSE ELECTRIC CO., LTD. All Rights Reserved. Antenna

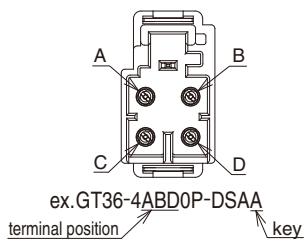
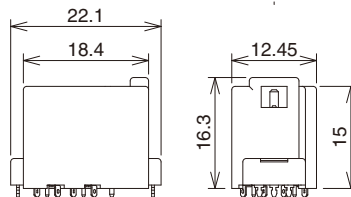
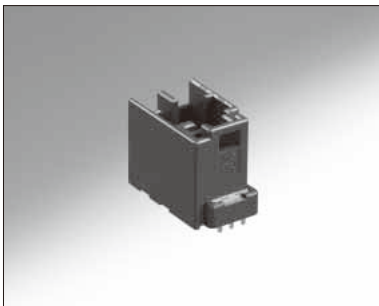
- GT5
- GT13
- GT16
- PO5G
- GT19
- GT21
- GT26
- GT36**
- GT11
- GT17
- GT32
- GT3
- GT7
- GT10
- GT18W
- GT25
- GT8E
- GT9
- GT15

## Outer terminal for F connector (short)

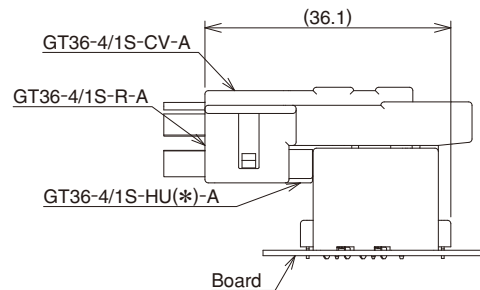


Part No.	HRS No.	Material/Plating or Color	Applicable cable	Packaging	RoHS
GT36-3.3-3.8SCF	786-0005-8	Insulator: PBT/Dark Gray	2.5D-2V	5,000 pcs/reel	YES
GT36-1.6-2.9SCF	786-0003-2	Outer terminal: Brass/Tin plating	1.5D-2V	3,000 pcs/reel	

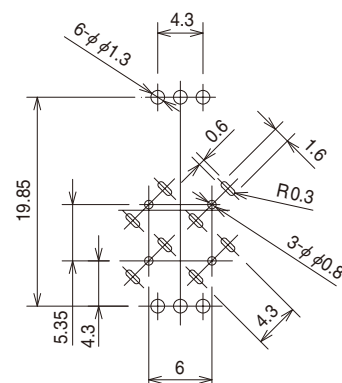
## Board type (4 coaxials)



### ◆ Mated condition



### ◆ Recommended Board Mounting Pattern



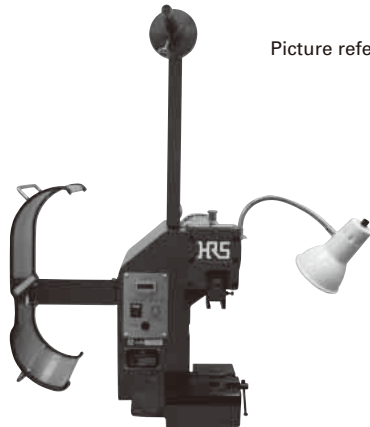
Part No.	HRS No.	Material	Color	Packaging	RoHS
GT36-4ABD0P-DSAA	786-0011-0	PA	Brown	200 pcs/reel	YES
GT36-4A0P-DSAC	786-0012-3		Blue		
GT36-4D0P-DSAC	786-0013-6		Green		
GT36-4BD0P-DSAB	786-0014-9				

\* Applicable PCB thickness : 0.8mm

## ◆ Crimping tools

User manuals are available. Please ask your Hirose Electric account representative.

### Automatic crimping machine



Picture reference only

### Specifications

Item	Specification	Remarks
Press capacity	1.5tons	
Stroke length	30mm	
Number of strokes	200spm(50Hz)	200spm(60Hz)
Weight	75kg	
Motor	0.2kw	AC100V
Crimping speed	2000 to 4000 pcs/hour	

Part No. CM-105C

- \* In terms of terminal's crimp height, a separate crimp height table is available for each cable type. Please contact sales personnel.  
In the event of a new cable, the appropriate crimp height will need to be defined.
- \* Separate reel stand required (CM105/RS-ED)
- \* Separate applicator tooling required for each terminal.

### Applicator (for use with the automatic crimping machine)

Terminal Product No.	Terminal HRS No.	Tool No.	Tool HRS No.
GT36A-2022SCF	786-0028-3	AP105-GT36A-2022S	901-5220-4
GT36-2428SCF	786-0001-7	AP105-GT36-2428S	901-5222-0
GT36-2428SCF(A)	786-0010-8	AP105-GT36-2428S(A)	901-5212-6
GT36-30SCF(ID)(A)	786-0042-4	AP105-GT36-30SI(A)	901-5225-8
GT36-3.3-3.8SCF	786-0005-8	GT36-3338S/CK-AD	902-5113-0
GT36-1.6-2.9SCF	786-0003-2	GT36-1629S/CK-AD	902-5116-9
GT36-1.6-2.9SCF(A)	786-0004-5	GT36-1629S(A)/CK-AD	902-5112-8