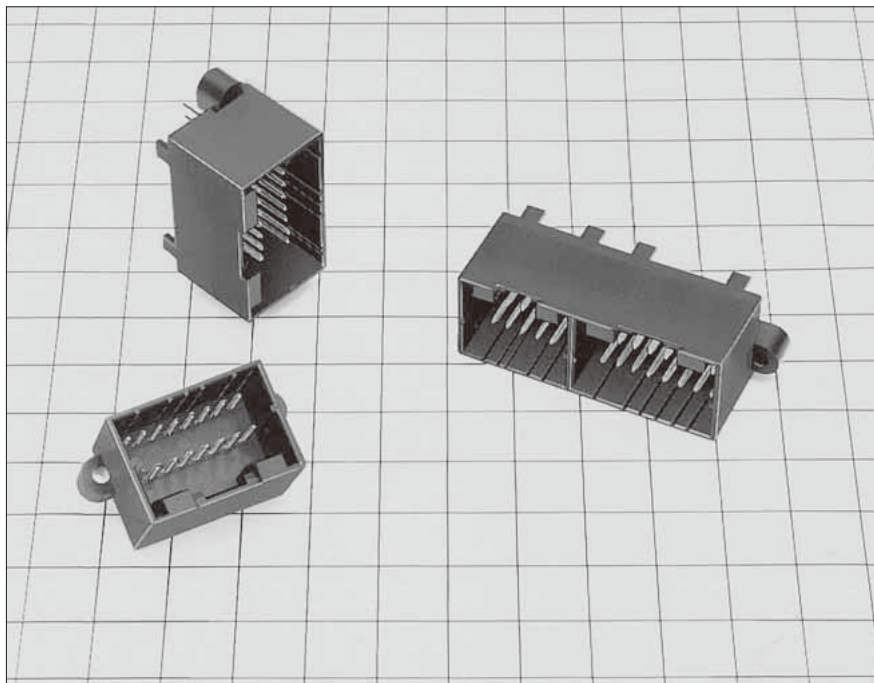


Interface Connector

GT3 Series



■ Features

- Available in a low-profile (GT3) and a standard (GT3B) type.
- Tab width is size 040.

May.1.2016 Copyright 2016 HIROSE ELECTRIC CO., LTD. All Rights Reserved.

GT5

GT13

GT16

PO5G

GT19

GT21

GT26

GT36

GT11

GT17

GT32

GT3

GT7

GT10

GT18W

GT25

GT8E

GT9

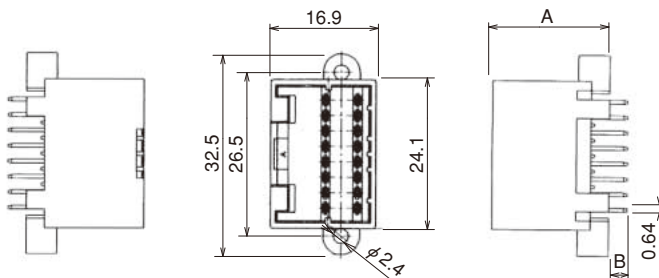
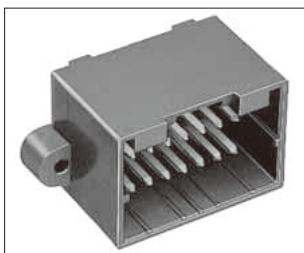
GT15

Interface Connector

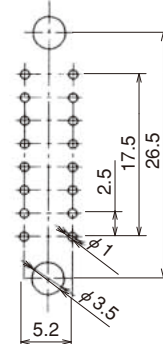
M Connectors

● Board mounting type

16 Pos.

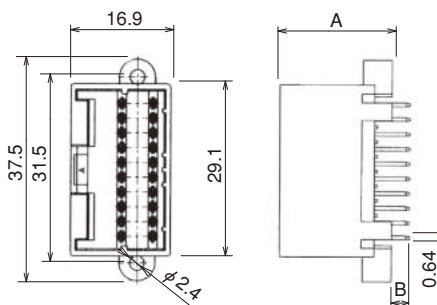
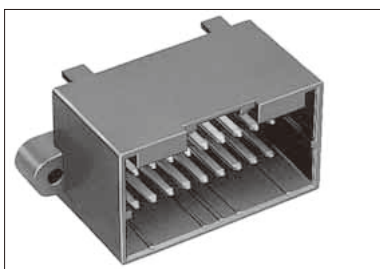


◆ Recommended PCB pattern

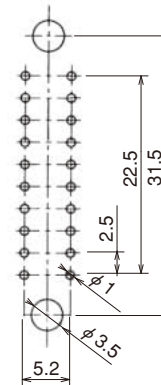


Part No.	HRS No.	Material/Plating or Color	A Dimension	B Dimension	Packaging	RoHS
GT3-16DP-2.5DSA(70)	753-0001-6 70	Housing : PBT/Black Terminal : Brass/Tin plating	17	5	1	YES
GT3B-16DP-2.5DSA(70)	753-0003-1 70		19	3		

20 Pos.



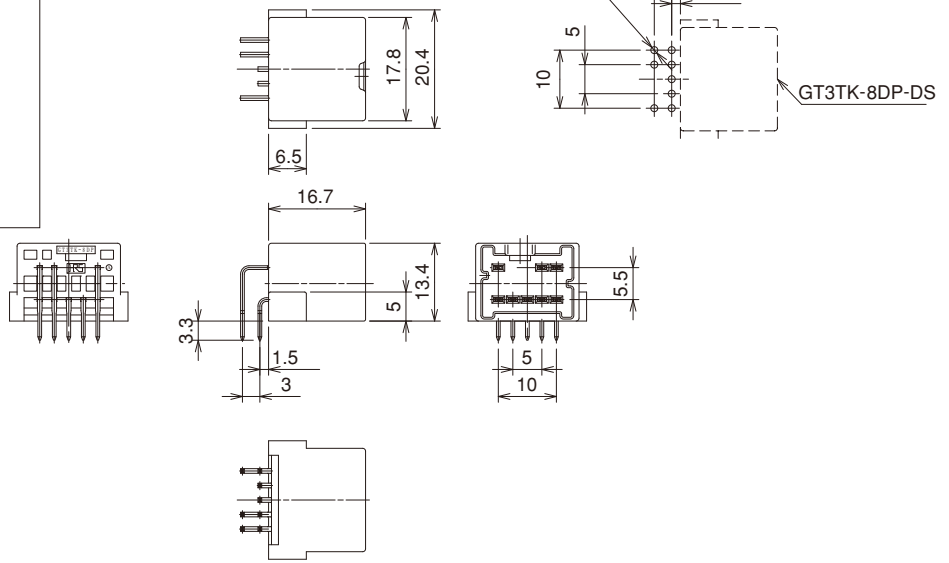
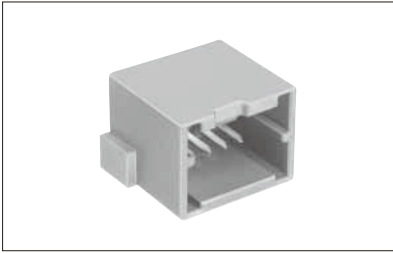
◆ Recommended PCB pattern



Part No.	HRS No.	Material/Plating or Color	A Dimension	B Dimension	Packaging	RoHS
GT3-20DP-2.5DSA(70)	753-0002-9 70	Housing : PBT/Black Terminal : Brass/Tin plating	17	5	1	YES
GT3B-20DP-2.5DSA(70)	753-0004-4 70		19	3		

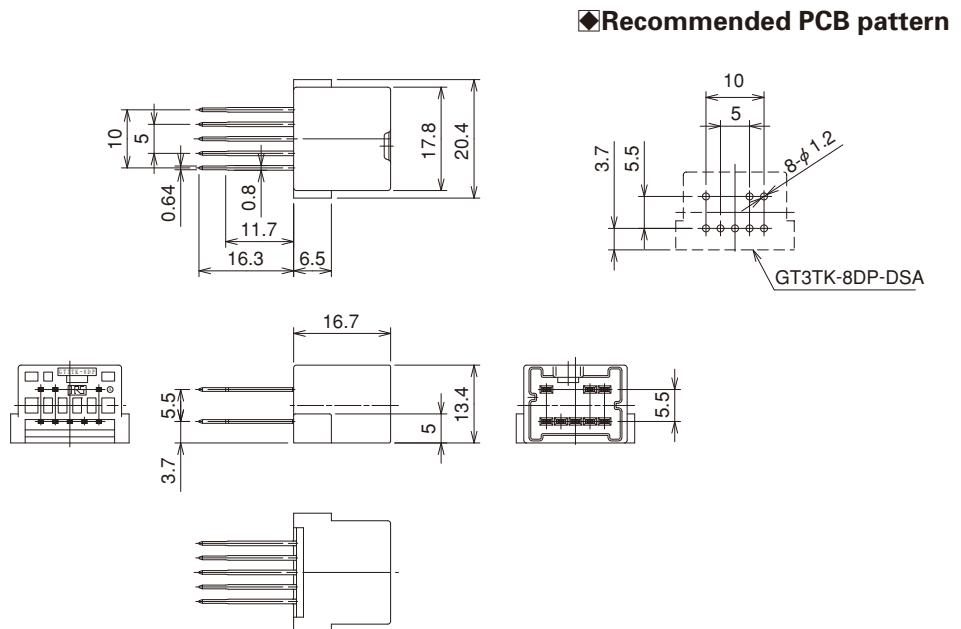
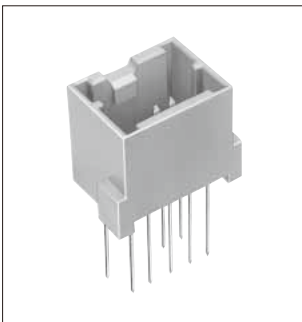
● Board mounting type

8-Pos. Right Angle



Part No.	HRS No.	Material/Plating or Color	Packaging	RoHS
GT3TK-8DP-DS	753-0007-2	Housing : PBT/Brown Terminal : Brass/Tin plating	1	YES

8-Pos. Straight



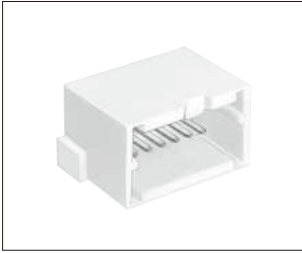
Part No.	HRS No.	Material/Plating or Color	Packaging	RoHS
GT3TK-8DP-DSA	753-0018-9	Housing : PBT/Brown Terminal : Brass/Tin plating	1	YES

May.1.2016 Copyright 2016 HIROSE ELECTRIC CO., LTD. All Rights Reserved.

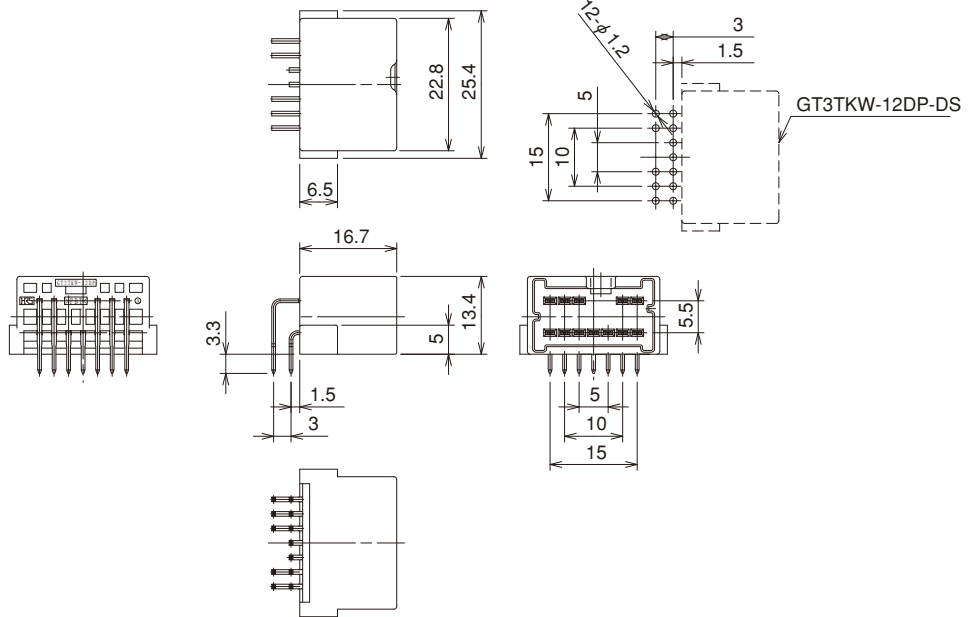
- GT5
- GT13
- GT16
- PO5G
- GT19
- GT21
- GT26
- GT36
- GT11
- GT17
- GT32
- GT3
- GT7
- GT10
- GT18W
- GT25
- GT8E
- GT9
- GT15

Interface Connector

12-Pos. Right Angle

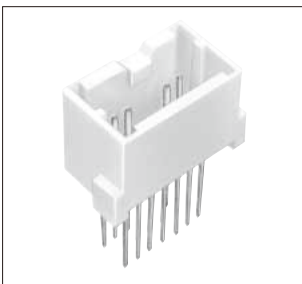


Recommended PCB pattern

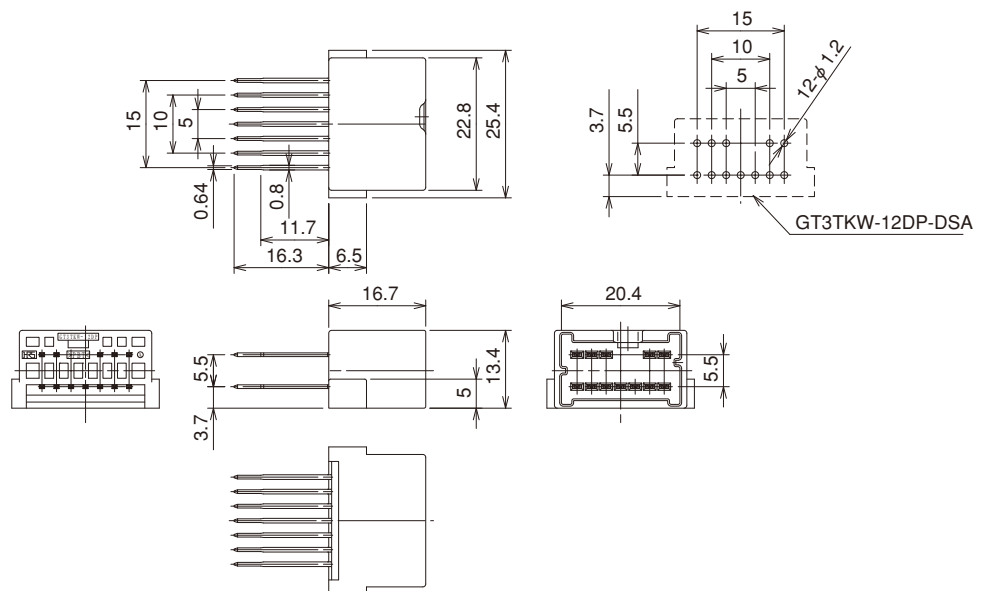


Part No.	HRS No.	Material/Plating or Color	Packaging	RoHS
GT3TKW-12DP-DS	753-0010-7	Housing : PBT/Natural Terminal : Brass/Tin plating	1	YES

12-Pos. Straight



Recommended PCB pattern



Part No.	HRS No.	Material/Plating or Color	Packaging	RoHS
GT3TKW-12DP-DSA	753-0015-0	Housing : PBT/Natural Terminal : Brass/Tin plating	1	YES

Interface Connector Co., Ltd. All Rights Reserved. Copyright 2016 HIROSE ELECTRIC CO., LTD.

GT5

GT13

GT16

PO5G

GT19

GT21

GT26

GT36

GT11

GT17

GT32

GT3

GT7

GT10

GT18W

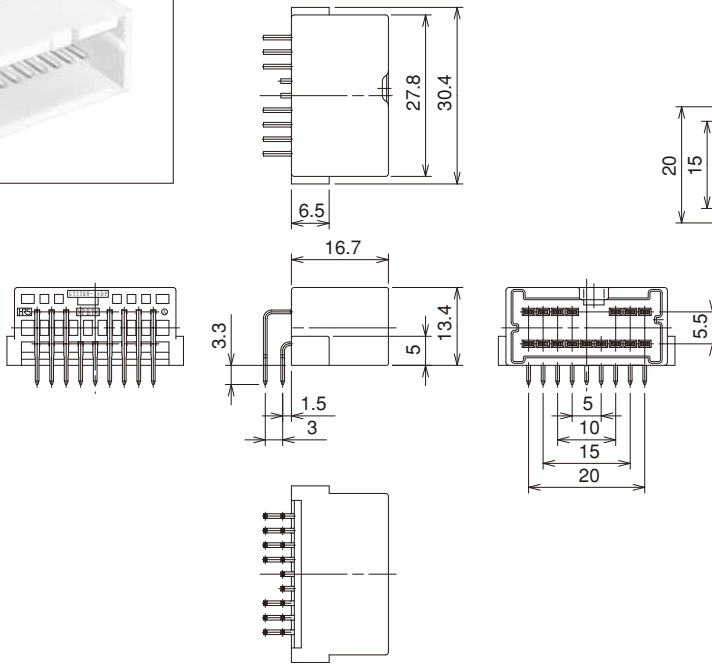
GT25

GT8E

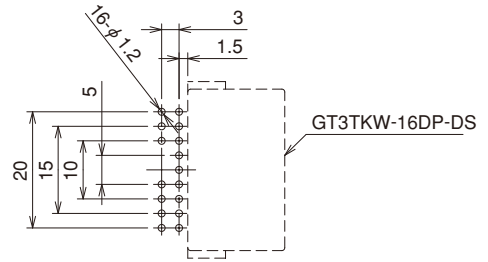
GT9

GT15

16-Pos. Right Angle

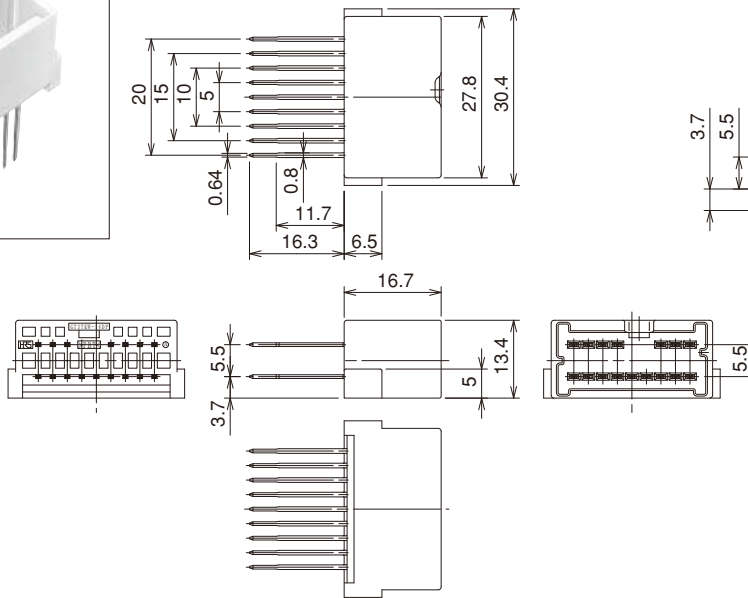
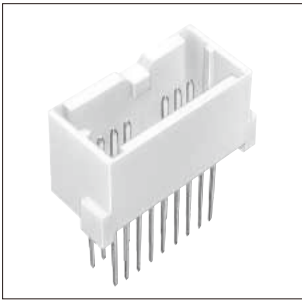


◆Recommended PCB pattern

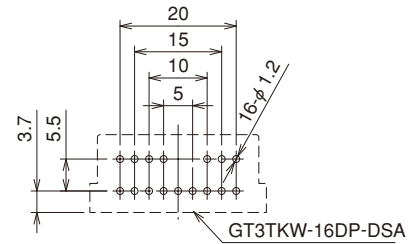


Part No.	HRS No.	Material/Plating or Color	Packaging	RoHS
GT3TKW-16DP-DS	753-0011-0	Housing : PBT/Natural Terminal : Brass/Tin plating	1	YES

16-Pos. Straight



◆Recommended PCB pattern



Part No.	HRS No.	Material/Plating or Color	Packaging	RoHS
GT3TKW-16DP-DSA	753-0012-2	Housing : PBT/Natural Terminal : Brass/Tin plating	1	YES

May.1.2016 Copyright 2016 HIROSE ELECTRIC CO., LTD. All Rights Reserved.

- GT5
- GT13
- GT16
- PO5G
- GT19
- GT21
- GT26
- GT36
- GT11
- GT17
- GT32
- GT3
- GT7
- Interface Connector
- GT10
- GT18W
- GT25
- GT8E
- GT9
- GT15

