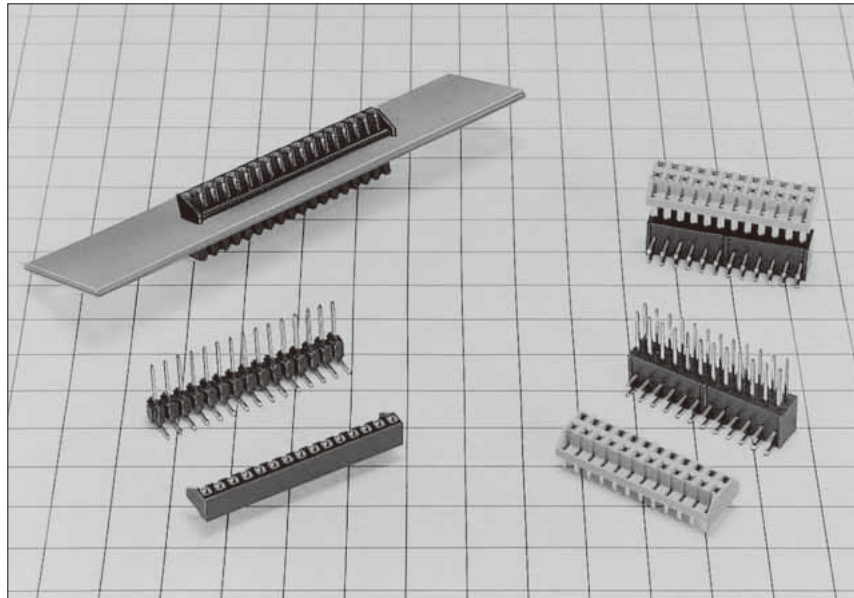


Internal connection

GT9 Series

2.54mm pitch Board-to-Board connector



■ Features

- Bottom entry type
- High-pressure type with dimple processing at contact point
- Flux prevention processing specification also available.* (Specification 75)
 - * Flux prevention processing: The whole connector is immersed in a flux prevention processing liquid and the surface is coated to prevent flux wicking.

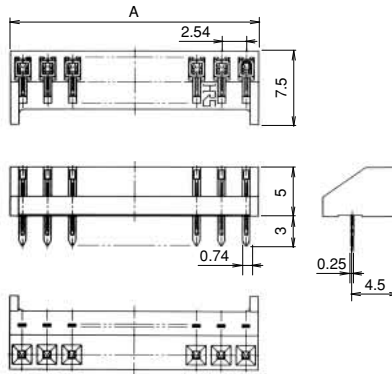
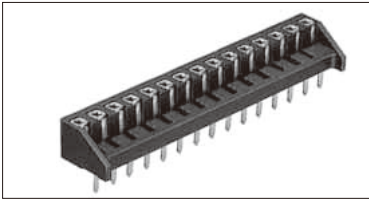
Custom orders of other numbers of Pos. can be accommodated.

■ Applications

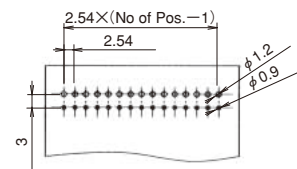
Automotive equipment, IPM, and IGBT.

Single-Row Type

F Connectors



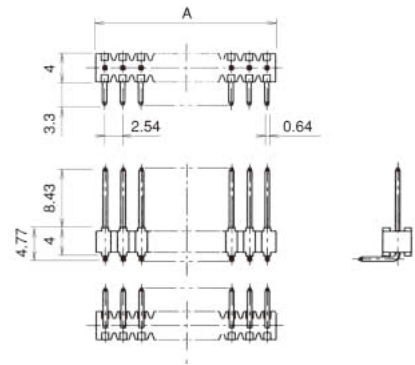
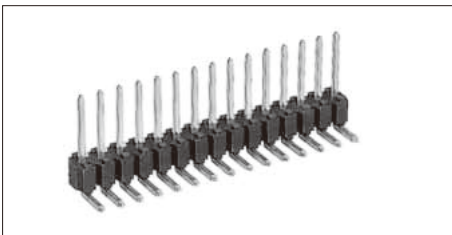
Recommended PCB pattern



Part No.	HRS No.	No. of positions	A dimension	Material/Plating or Color	Remarks	Packaging	RoHS
GT9-12S-2.54DSA(70)	759-0011-8 70	12	30.48	Housing : PBT/Black F-DSA Terminal : Phosphor bronze/Tin plating	Standard	1	YES
GT9-12S-2.54DSA(75)	759-0011-8 75				Flux prevention finish		
GT9-15S-2.54DSA(70)	759-0001-4 70	15	38.1	Housing : PA/Black F-DSA Terminal : Phosphor bronze/Tin plating	Standard		
GT9-15S-2.54DSA(75)	759-0001-4 75				Flux prevention finish		
GT9-16S-2.54DSA(70)	759-0008-3 70	16	40.64	Housing : PA/Black F-DSA Terminal : Phosphor bronze/Tin plating	Standard		
GT9-16S-2.54DSA(75)	759-0008-3 75				Flux prevention finish		
GT9-18S-2.54DSA(70)	759-0002-7 70	18	45.72	Housing : PA/Black F-DSA Terminal : Phosphor bronze/Tin plating	Standard		
GT9-18S-2.54DSA(75)	759-0002-7 75				Flux prevention finish		
GT9-19S-2.54DSA(70)	759-0009-6 70	19	48.26	Housing : PA/Black F-DSA Terminal : Phosphor bronze/Tin plating	Standard		
GT9-19S-2.54DSA(75)	759-0009-6 75				Flux prevention finish		
GT9-25S-2.54DSA(70)	759-0006-8 70	25	63.5	Housing : PA/Black F-DSA Terminal : Phosphor bronze/Tin plating	Standard		
GT9-25S-2.54DSA(75)	759-0006-8 75				Flux prevention finish		

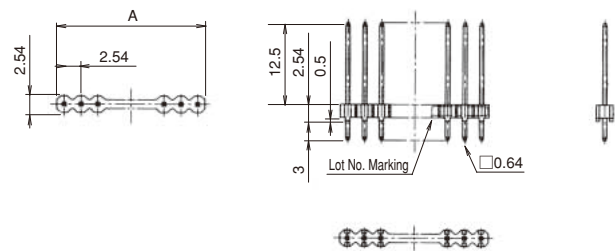
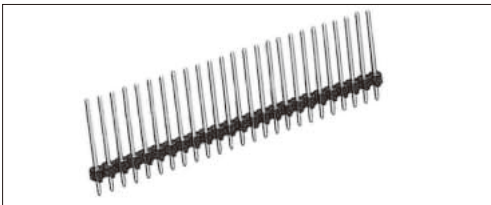
M Connectors

Right-angle Type



Part No.	HRS No.	No. of positions	A dimension	Material/Plating or Color	Remarks	Packaging	RoHS
GT9-12P-2.54DS(70)	759-0012-0 70	12	30.48	Housing : PBT/Black M-DS Terminal : Brass/Tin plating	Standard	1	YES
GT9-12P-2.54DS(75)	759-0012-0 75				Flux prevention finish		
GT9-15P-2.54DS(70)	759-0004-2 70	15	38.1	Housing : PBT/Black M-DS Terminal : Brass/Tin plating	Standard		
GT9-15P-2.54DS(75)	759-0004-2 75				Flux prevention finish		
GT9-18P-2.54DS(70)	759-0005-5 70	18	45.72	Housing : PBT/Black M-DS Terminal : Brass/Tin plating	Standard		
GT9-18P-2.54DS(75)	759-0005-5 75				Flux prevention finish		
GT9-25P-2.54DS(70)	759-0007-0 70	25	63.5	Housing : PBT/Black M-DS Terminal : Brass/Tin plating	Standard		
GT9-25P-2.54DS(75)	759-0007-0 75				Flux prevention finish		

Straight Type



Part No.	HRS No.	No. of positions	A dimension	Material/Plating or Color	Remarks	Packaging	RoHS		
GT9P-12P-2.54DSA(70)	759-0014-6 70	12	30.48	Housing : PBT/Black M-DSA Terminal : Brass/Tin plating	Standard	1	YES		
GT9P-12P-2.54DSA(71)	759-0014-6 71				Flux prevention finish				
GT9P-12P-2.54DSA(72)	759-0014-6 72				Flux prevention finish, with locator				
GT9P-12P-2.54DSA(75)	759-0014-6 75	Flux prevention finish, with locator, cost effective item							
GT9P-16P-2.54DSA(70)	759-0015-9 70	16	40.64		Standard				
GT9P-16P-2.54DSA(71)	759-0015-9 71				Flux prevention finish				
GT9P-16P-2.54DSA(72)	759-0015-9 72				Flux prevention finish, with locator				
GT9P-16P-2.54DSA(75)	759-0015-9 75	16	40.64		Flux prevention finish, with locator, cost effective item				
GT9P-19P-2.54DSA(70)	759-0016-1 70				19			48.26	Standard
GT9P-19P-2.54DSA(71)	759-0016-1 71								Flux prevention finish
GT9P-19P-2.54DSA(72)	759-0016-1 72	Flux prevention finish, with locator							
GT9P-19P-2.54DSA(75)	759-0016-1 75	19	48.26		Flux prevention finish, with locator, cost effective item				
GT9P-25P-2.54DSA(71)	759-0010-5 71				25	63.5	Flux prevention finish		
GT9P-25P-2.54DSA(72)	759-0010-5 72						Flux prevention finish, with locator		

May.1.2016 Copyright 2016 HIROSE ELECTRIC CO., LTD. All Rights Reserved.

- GT5
- GT13
- GT16
- PO5G
- GT19
- GT21
- GT26
- GT36
- GT11
- GT17
- GT32
- GT3
- GT7
- GT10
- GT18W
- GT25
- GT8E
- GT9
- GT15

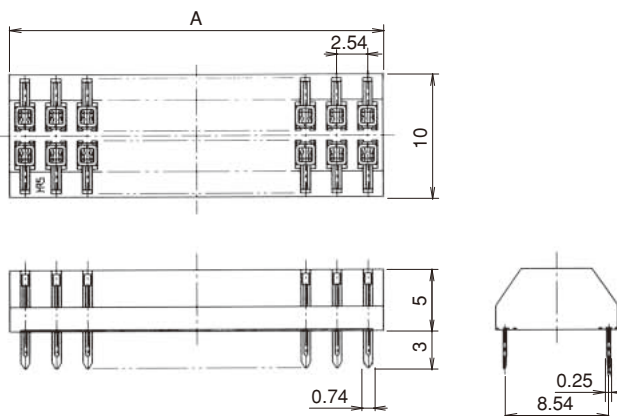
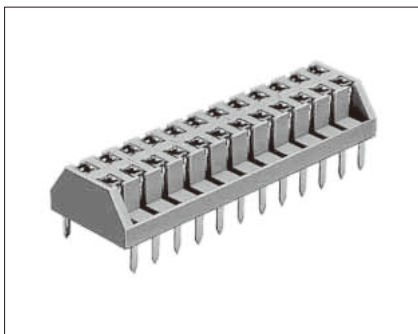
Internal connection

May.1.2016 Copyright 2016 HIROSE ELECTRIC CO., LTD. All Rights Reserved.

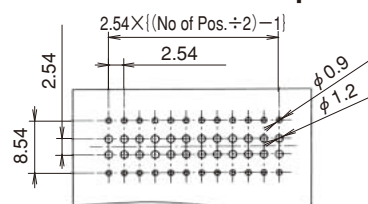
- GT5
- GT13
- GT16
- PO5G
- GT19
- GT21
- GT26
- GT36
- GT11
- GT17
- GT32
- GT3
- GT7
- GT10
- GT18W
- GT25
- GT8E
- GT9
- GT15

Double-Row Type

F Connectors

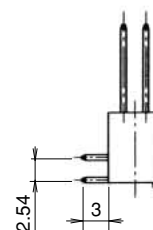
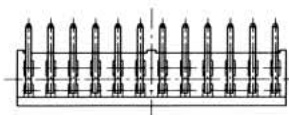
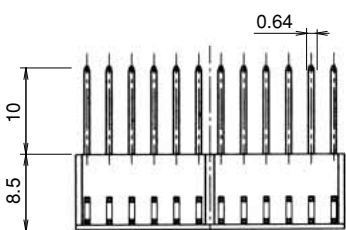
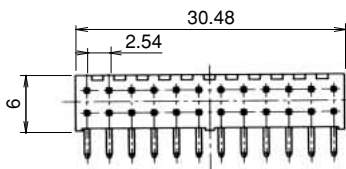


Recommended PCB pattern



Part No.	HRS No.	No. of positions	A dimension	Material/Plating or Color	Remarks	Packaging	RoHS
GT9-24D-2.54DSA(71)	759-0003-0 71	24	30.48	Housing : PA/Natural	Standard	1	YES
GT9-24D-2.54DSA(75)	759-0003-0 75			F-DSA Terminal : Phosphor bronze/Tin plating	Flux prevention finish		
GT9-30D-2.54DSA(70)	759-0018-7 70	30	38.1	Housing : PBT/Black	Standard	1	YES
GT9-30D-2.54DSA(75)	759-0018-7 75			F-DSA Terminal : Phosphor bronze/Tin plating	Flux prevention finish		

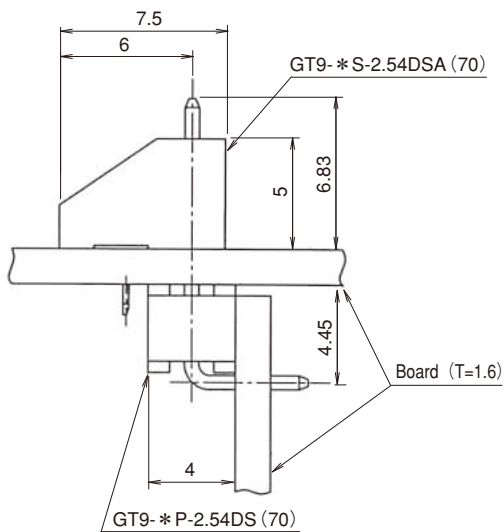
M Connectors



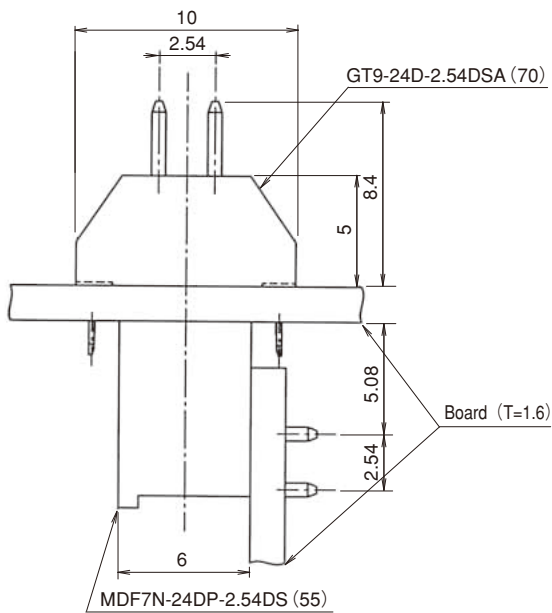
Part No.	HRS No.	No. of positions	Material/Plating or Color	Packaging	RoHS
MDF7N-24DP-2.54DS(55)	547-0226-8 55	24	Housing : PBT/Black M-DS Terminal : Brass/Tin plating	100 pcs/pack	YES

◆ Mating Diagram

● Single-Row Type



● Double-Row Type



May.1.2016 Copyright 2016 HIROSE ELECTRIC CO., LTD. All Rights Reserved.

- GT5
- GT13
- GT16
- PO5G
- GT19
- GT21
- GT26
- GT36
- GT11
- GT17
- GT32
- GT3
- GT7
- GT10
- GT18W
- GT25
- GT8E
- GT9
- GT15

Internal connection

