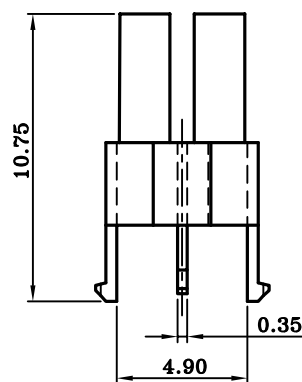
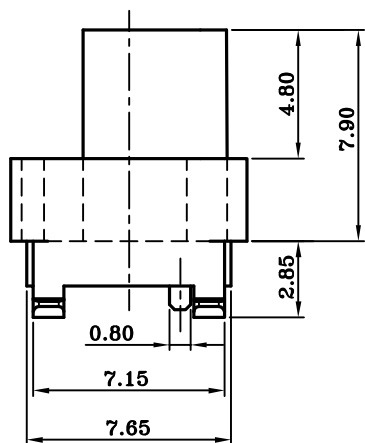


NOTES:

1. ALL DIMENSIONS ARE IN MMS.
2. MATERIAL:HIGH TEMPERATURE THERMOPLASTIC.(BRILLIANT BLUE)
3. ROHS DIRECTIVE COMPLIANCE.



DESIGN UNITS mm INCH		NAME: MetCon-2		NEXTRONIX ENGINEERING CORP.	
GENERAL TOLERANCES: (UNLESS SPECIFIED)		CODE KEY SCOKET CONNECTOR		TITLE: CUSTOM DWG	
		PART NO: 1092951311		C	
		APPD: 楊海文 4/28'11		DWG. NO: 010-0000-812-1092951311	
		CHKD: 廖小瓊 4/28'11		SCALE: SHEET: REV.: 1/5 1/1 A	
		DRAWN: 何潔賢 4/28'11			
		ANGULAR: X°± 4° X°± 2°			

A	***	Release	4/28'11	何潔賢	楊海文
REV.	ECN. NO.	DESCRIPTION	DATE	DRAWN	APPD