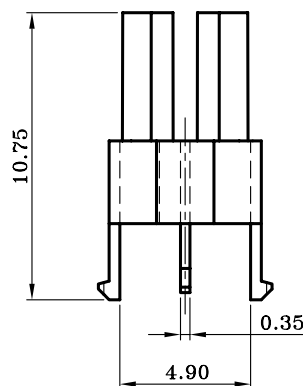
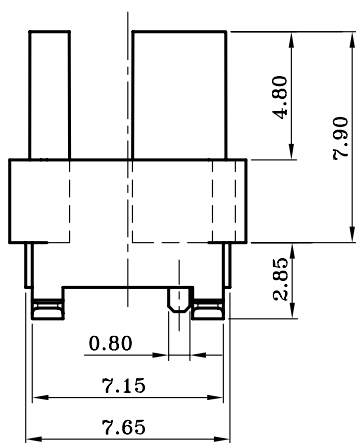


NOTES:
 1. ALL DIMENSIONS ARE IN MMS.
 2. MATERIAL:HIGH TEMPERATURE THERMOPLASTIC.(STRAWBERRY RED)
 3. ROHS DIRECTIVE COMPLIANCE.



DESIGN UNITS <input checked="" type="checkbox"/> mm <input type="checkbox"/> INCH		NAME: MetCon-2		 NEXTRONICS ENGINEERING CORP.	
GENERAL TOLERANCES: (UNLESS SPECIFIED)		CODE KEY SCOKET CONNECTOR			
		PART NO: 1092951317		TITLE: CUSTOM DWG	
		APPD: 蘇侯安 7/27/06		DWG. NO: C-1092951317	
		CHKD: 楊海文 7/27/06			
		DRAWN: 何潔賢 7/26/06			
		ANGULAR: X° ± 4°		SCALE: 1/5	
				SHEET: 1/1	
				REV.: A	

A	***	Release	7/26/06	Jexan	Alan
REV.	ECN. NO.	DESCRIPTION	DATE	DRAWN	APPD