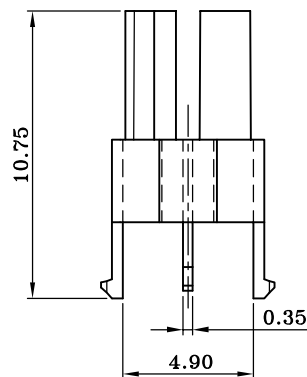
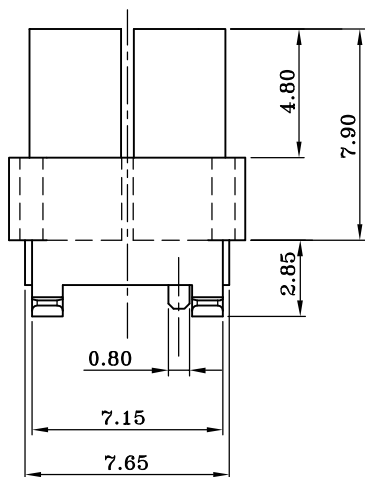


NOTES:  
 1. ALL DIMENSIONS ARE IN MMS.  
 2. MATERIAL:HIGH TEMPERATURE THERMOPLASTIC.(CADMIUM YELLOW)  
 3. ROHS DIRECTIVE COMPLIANCE.



DESIGN UNITS <input checked="" type="checkbox"/> mm <input type="checkbox"/> INCH		NAME: MetCon-2		NEXTRONICS ENGINEERING CORP.	
GENERAL TOLERANCES: (UNLESS SPECIFIED)		CODE KEY SCOKET CONNECTOR			
		PART NO: 109295137		TITLE: CUSTOM DWG	
		APPD: 楊海文 4/28'11		DWG. NO: 010-0000-812-109295137	
		CHKD: 廖小瓊 4/28'11		SCALE: 1/5	
		DRAWN: 何潔賢 4/28'11		SHEET: 1/1	
		ANGULAR: X°±4°		REV.: A	

A	***	Release	4/28'11	何潔賢	楊海文
REV.	ECN. NO.	DESCRIPTION	DATE	DRAWN	APPD