

1 2 3 4 5 6 7 8

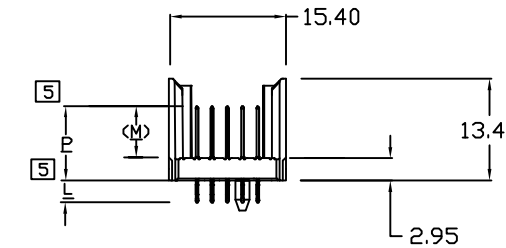
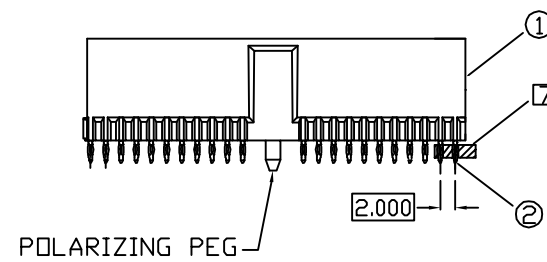
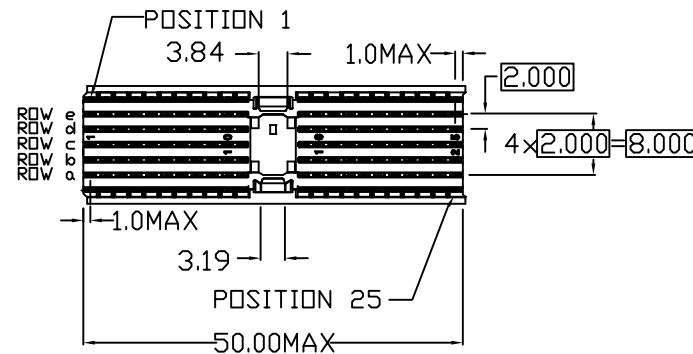
NOTES:

- 1 THIS CONNECTOR IS DESIGNED TO MEET THE APPLICABLE PERFORMANCE REQUIREMENTS OF IEC 61076-4-101 AND BELLCORE GR-1217-CORE
- 2 RoHS DIRECTIVE COMPLIANCE, MAX SOLDERING TEMPERATURE 225°C.
- 3 CONNECTORS ARE END STACKABLE ON A 2.0 GRID.
- 4 FOR COMPLIANT CONTACT PLATED THRU HOLE REQUIREMENTS SEE THRU HOLE PLATING VIEW. MINIMUM P.C.BOARD THICKNESS 1.57 NOMINAL.
- 5 DIMENSIONS APPLY AFTER INSTALLATION IN P.C.BOARD.
- 6 CONNECTOR WITH MIXED PIN LENGTH.SELECTIVE LOADING PER PICMG™ (COMPUTER TELEPHONY SPECIFICATIONS) 2.5 R1.0 APRIL 3, 1998 SEE SELECTIVE LOADING CHART AND LOADING PATTERN.
- 7 0.2 MAX. GAP PERMISSIBLE TO P.C.BOARD

	POS.1	POS.5	POS.10	POS.15	POS.20	POS.25
ROW f	0	0	0	0	0	0
ROW e	4	4	4	4	4	4
ROW d	4	4	4	4	4	4
ROW c	4	4	4	4	4	4
ROW b	4	4	4	4	4	4
ROW a	4	4	4	4	4	4
ROW z	0	1	0	1	0	1

PIN CODE	MATING LENGTH OF CONTACTS			CONTACT TAIL LENGTHS
	SIGNAL	ALL	GROUND	
0	N/A	N/A	N/A	N/A
4	.209/5.30	.323/8.20	N/A	.146/3.70

SELECTIVE LOADING PATTERN



SPECIFICATIONS

MATERIALS

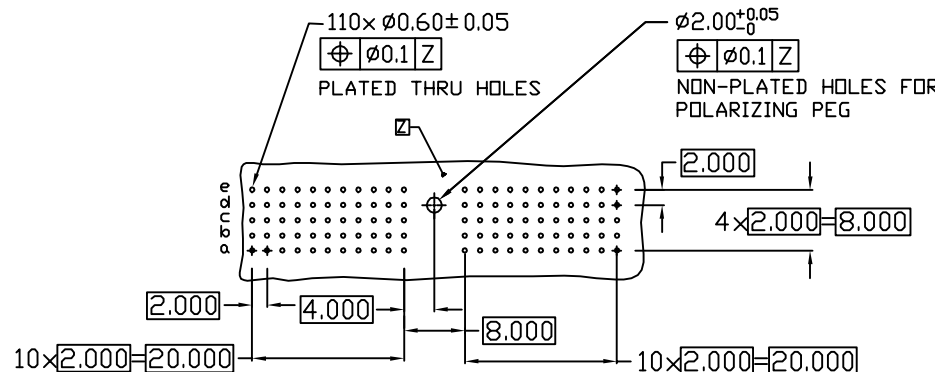
- 1 Insulators: Thermoplastic Polyester, glass filled Rated UL 94V-0, Color: Gray
- 2 Pin contacts: Copper Alloy Finish: Mating Zone=Gold Compliant Zone=Matte Tin Performance Class 2= 250 cycles

PERFORMANCE CHARACTERISTICS 1

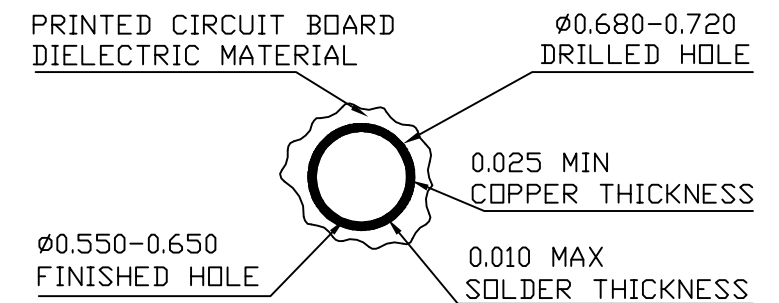
- Insulation resistance: 10000 megohms minimum
- Dielectric withstanding voltage(at sea level): 750 Vrms
- Current rating: 1 amp @70°C, fully loaded 1.5 amp @20°C, fully loaded
- Operating temperature range: -55°C to +125°C
- Contact resistance: 20 milliohms maximum

COMPLIANT CONTACT

- Max.Insertion Force(per contact): 22.5 lbs./100 N
- Min. Retention force(per contact): 4.5 lbs./20 N



RECOMMENDED PC BOARD REQUIREMENTS (COMPONENT SIDE BOARD SHOWN)



THRU HOLE PLATING SCALE 10:1

DESIGN UNITS mm INCH	NAME: 2MM HEADER A TYPE	nexttron NEXTRONICS ENGINEERING CORP.
GENERAL TOLERANCES: (UNLESS SPECIFIED)	PART NO: NX5A0AE01A10AA	
4 PLACE ±0.05 ±.***	APPD: 楊海文 8/23'10	DWG. NO: 010-0000-713-NX5A0AE01A10AA
3 PLACE ±0.10 ±.***	CHKD: 廖小瓊 8/23'10	SCALE: SHEET: REV.: 1 / 1 1 / 1 A
2 PLACE ±0.20 ±.***	DRAWN: 何潔賢 8/23'10	
1 PLACE ±0.30 ±.***		
ANGULAR: X°±.*** .X°±.***		

A	**	Release	8/23'10	何潔賢	楊海文
REV.	ECN. NO.	DESCRIPTION	DATE	DRAWN	APPD