

NOTES:

- 1 THIS CONNECTOR IS DESIGNED TO MEET THE APPLICABLE PERFORMANCE REQUIREMENTS OF IEC 61076-4-101 AND BELLCORE GR-1217-CORE
- 2 RoHS DIRECTIVE COMPLIANCE, MAX SOLDERING TEMPERATURE 225°C.

MATERIALS

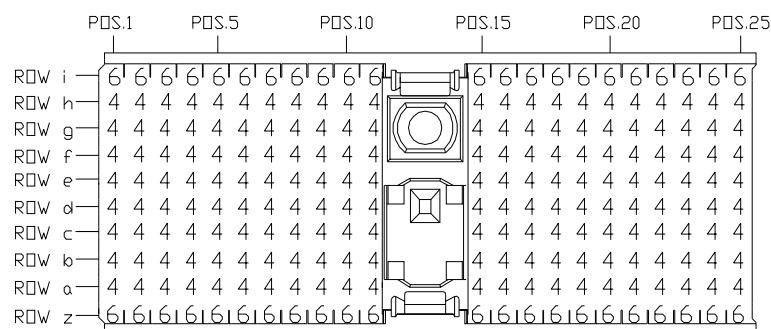
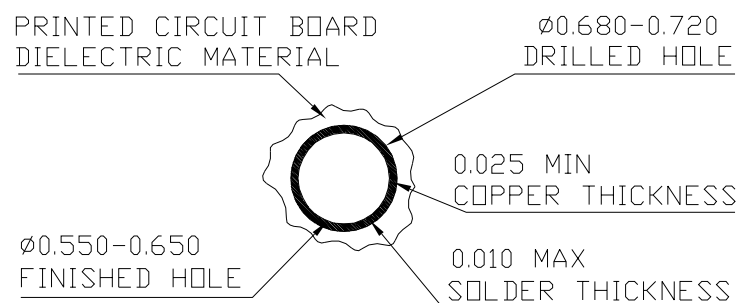
- ① Insulator — Thermoplastic Polyester, glass filled  
Rated UL 94V-0, Color: Gray
- ② Pin contacts — Copper Alloy  
Finish: Mating Zone=Gold  
Compliant Zone=Matte Tin  
Performance Class 2= 250 cycles

PERFORMANCE CHARACTERISTICS

- Insulation resistance — 10,000 megohms minimum
- Dielectric withstanding voltage (at sea level) — 750 Vrms
- Current rating — 1 amp @70°C, fully loaded  
1.5 amp @20°C, fully loaded
- Operating temperature range — -55°C to +125°C
- Contact resistance — 20 milliohms maximum

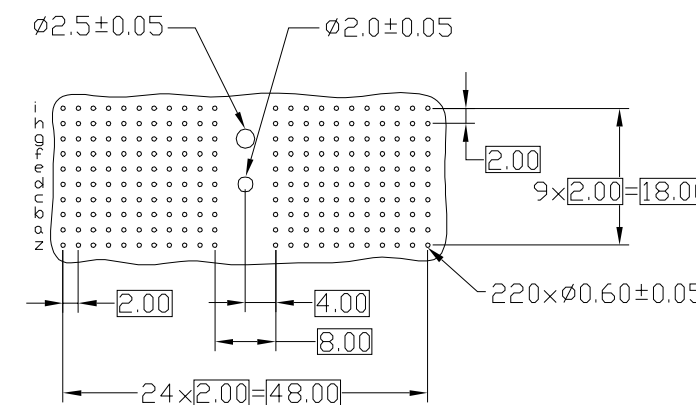
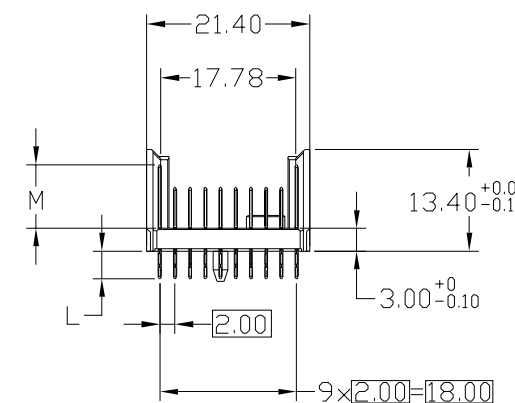
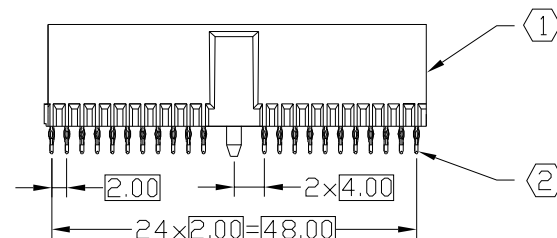
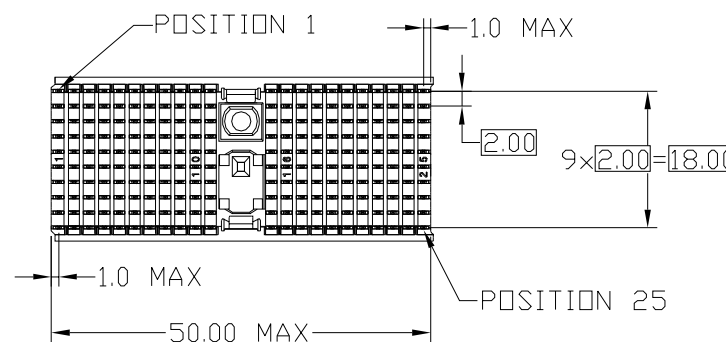
COMPLIANT CONTACT

- Max.Insertion Force (per contact) — 22.5 lbs./100 N
- Min. Retention force (per contact) — 4.5 lbs./20 N



| PIN CODE | MATING LENGTH OF CONTACTS | CONTACT TAIL LENGTHS |
|----------|---------------------------|----------------------|
|          | M                         | L                    |
| 4        | .209/5.30                 | .146/3.70            |
| 6        | .329/8.35                 | .146/3.70            |

SELECTIVE LOADING PATTERN



RECOMMENDED PC BOARD REQUIREMENTS  
(COMPONENT SIDE BOARD SHOWN)

|                             |   |         |  |   |
|-----------------------------|---|---------|--|---|
| DESIGN UNITS<br>■ mm □ INCH | NAME: 2MM HEADER D TYPE                   |         | NEXTRONICS ENGINEERING CORP.<br>TITLE: CUSTOMER DWG. C |   |
|                             | GENERAL TOLERANCES:<br>(UNLESS SPECIFIED) |         |  |   |
| 4 PLACE                     | ±***                                      | ±.***   | APPD: 楊海文 5/16'11                                      | DWG. NO:<br>010-0000-885-NX5D0AJ01A11PA |
| 3 PLACE                     | ±0.08                                     | ±.***   | CHKD: 楊海文 5/16'11                                      |   |
| 2 PLACE                     | ±0.15                                     | ±.***   | DRAWN: 廖小瓊 5/16'11                                     | SCALE: 1 / 1 SHEET: 1 / 1 REV.: A       |
| 1 PLACE                     | ±0.20                                     | ±.***   |  |   |
| ANGULAR:                    | X°±***                                    | .X°±*** |  |   |

|      |          |             |         |       |      |
|------|----------|-------------|---------|-------|------|
| A    | ***      | Release     | 5/16'11 | 廖小瓊   | 楊海文  |
| REV. | ECN. NO. | DESCRIPTION | DATE    | DRAWN | APPD |