

NOTES:

- 1 THIS CONNECTOR IS DESIGNED TO MEET THE APPLICABLE PERFORMANCE REQUIREMENTS OF IEC 61076-4-101 AND BELLCORE GR-1217-CORE
- 2 RoHS DIRECTIVE COMPLIANCE, MAX SOLDERING TEMPERATURE 225°C.

MATERIALS

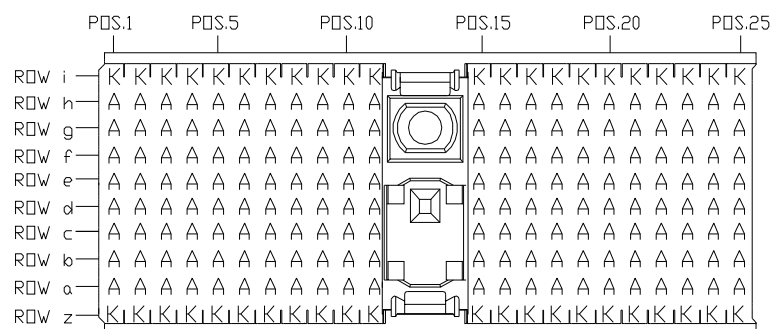
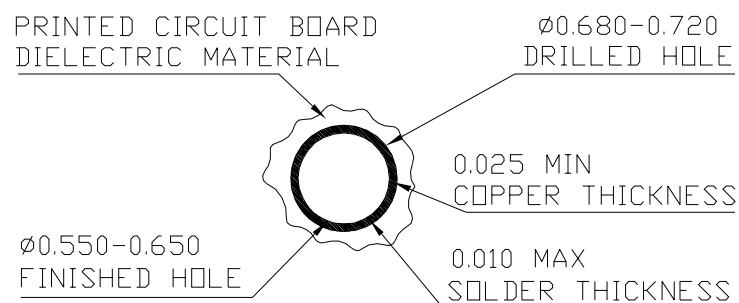
- ① Insulators — Thermoplastic Polyester, glass filled
Rated UL 94V-0, Color: Gray
- ② Pin contacts — Copper Alloy
Finish: Mating Zone=Gold
Compliant Zone=Matte Tin
Performance Class 2= 250 cycles

PERFORMANCE CHARACTERISTICS

- Insulation resistance — 10,000 megohms minimum
- Dielectric withstanding voltage (at sea level) — 750 Vrms
- Current rating — 1 amp @70°C, fully loaded
1.5 amp @20°C, fully loaded
- Operating temperature range — -55°C to +125°C
- Contact resistance — 20 milliohms maximum

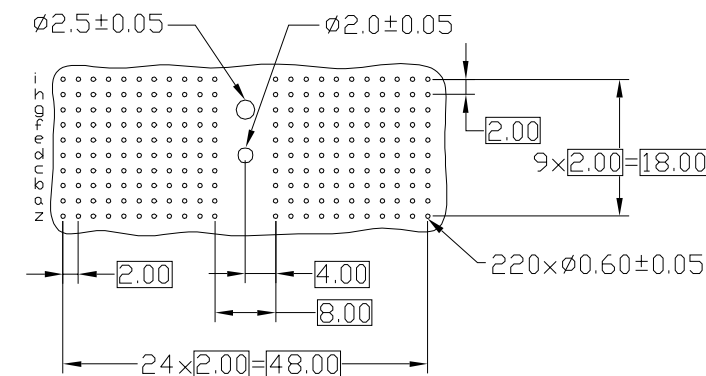
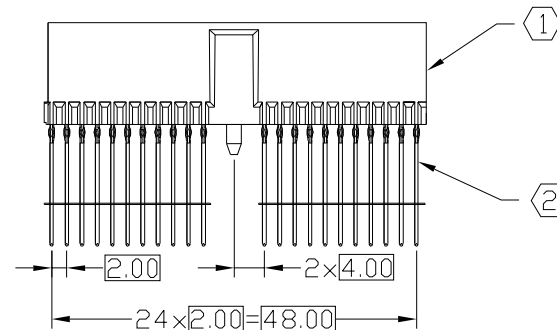
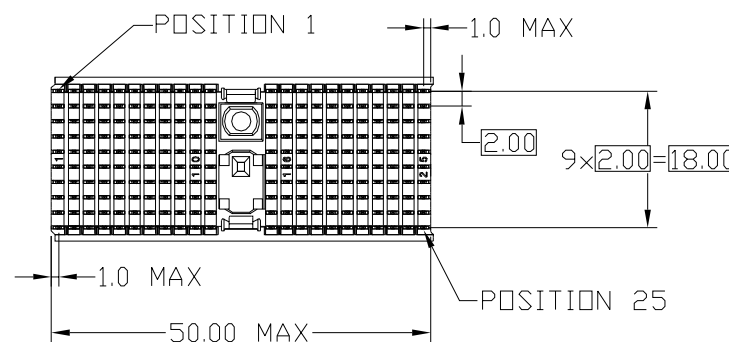
COMPLIANT CONTACT

- Max.Insertion Force (per contact) — 22.5 lbs./100 N
- Min. Retention force (per contact) — 4.5 lbs./20 N

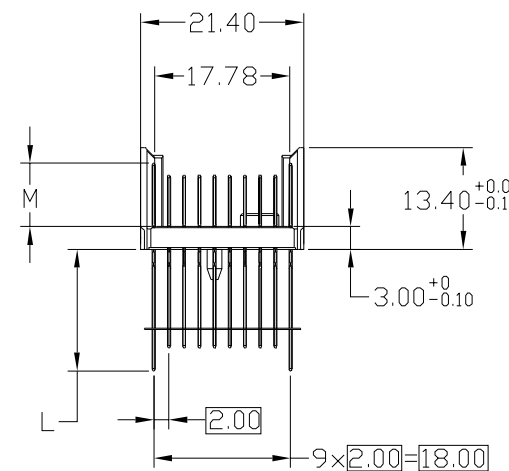


SELECTIVE LOADING CHART		
PIN CODE	MATING LENGTH OF CONTACTS	CONTACT TAIL LENGTHS
	M	L
A	.268/6.80	.512/13.00
K	.327/8.30	.630/16.00

SELECTIVE LOADING PATTERN



RECOMMENDED PC BOARD REQUIREMENTS
(COMPONENT SIDE BOARD SHOWN)



DESIGN UNITS ■ mm □ INCH		NAME: 2MM HEADER D TYPE	NEXTRONICS ENGINEERING CORP. TITLE: CUSTOMER DWG. C	
GENERAL TOLERANCES: (UNLESS SPECIFIED)		PART NO: NX5D0AJ01C54RA		
4 PLACE	±***	±***	APPD: 楊海文 5/16'11	SCALE: 1 / 1 SHEET: 1 / 1 REV.: A
3 PLACE	±0.08	±***	CHKD: 楊海文 5/16'11	
2 PLACE	±0.15	±***	DRAWN: 廖小瓊 5/16'11	
1 PLACE	±0.20	±***		
ANGULAR:	X°±***	.X°±***		

A	***	Release	5/16'11	廖小瓊	楊海文
REV.	ECN. NO.	DESCRIPTION	DATE	DRAWN	APPD