

NOTES:

1 THIS CONNECTOR IS DESIGNED TO MEET THE APPLICABLE PERFORMANCE REQUIREMENTS OF IEC 61076-4-101 AND BELLCORE GR-1217-CORE

2 RoHS DIRECTIVE COMPLIANCE, MAX SOLDERING TEMPERATURE 225°C.

MATERIALS

① Insulators ——— Thermoplastic Polyester, glass filled Rated UL 94V-0, Color: Gray

② Pin contacts ——— Copper Alloy Finish: Mating Zone=Gold Compliant Zone=Matte Tin Performance Class 2= 250 cycles

PERFORMANCE CHARACTERISTICS

Insulation resistance ——— 10,000 megohms minimum

Dielectric withstanding voltage (at sea level) ——— 750 Vrms

Current rating ——— 1 amp @70°C, fully loaded 1.5 amp @20°C, fully loaded

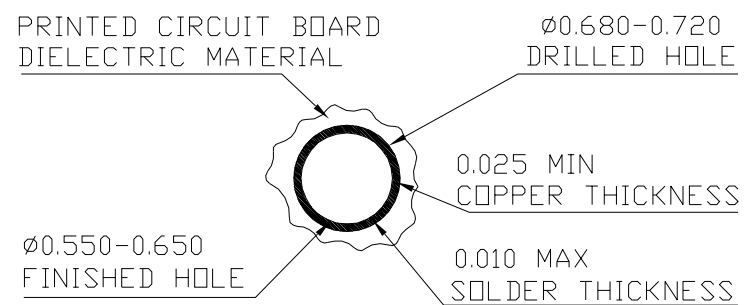
Operating temperature range ——— -55°C to +125°C

Contact resistance ——— 20 milliohms maximum

COMPLIANT CONTACT

Max.Insertion Force (per contact) ——— 22.5 lbs./100 N

Min. Retention force (per contact) ——— 4.5 lbs./20 N

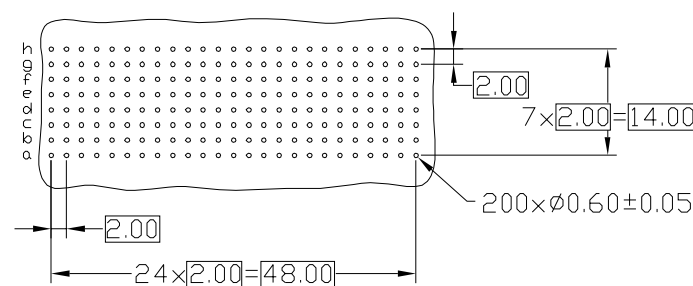
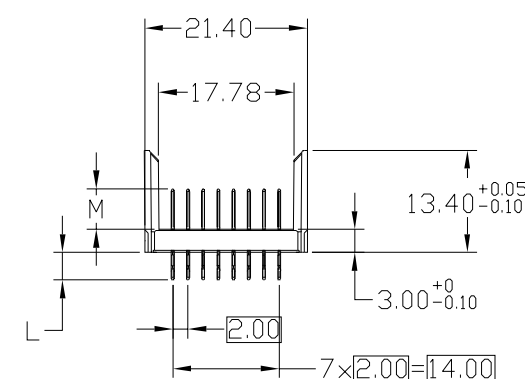
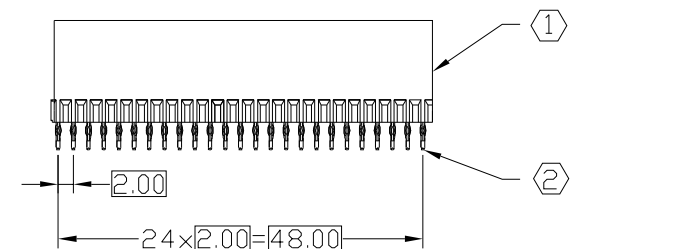
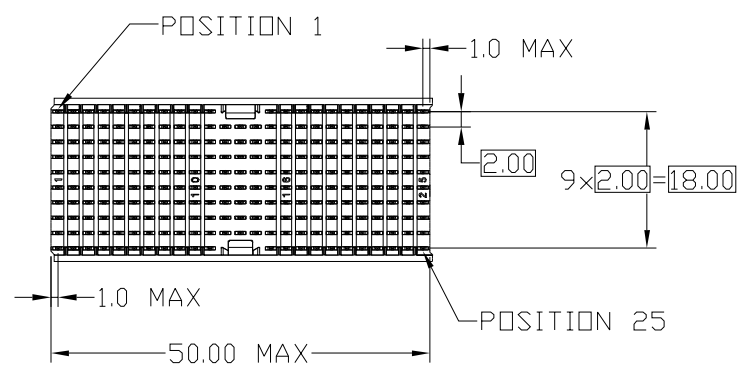


THRU HOLE PLATING SCALE 20:1

Table showing selective loading patterns for rows RDW i through RDW z, with columns for positions PDS.1 to PDS.25.

SELECTIVE LOADING PATTERN

SELECTIVE LOADING CHART table with columns: PIN CODE, MATING LENGTH OF CONTACTS, CONTACT TAIL LENGTHS.



RECOMMENDED PC BOARD REQUIREMENTS (COMPONENT SIDE BOARD SHOWN)

Table containing design units (mm/inch), general tolerances, name, part number, title, drawing number, and revision information.

Revision table with columns: A, REV., ECN. NO., Description, Date, Drawn, Appd.