

NOTES:

- 1 THIS CONNECTOR IS DESIGNED TO MEET THE APPLICABLE PERFORMANCE REQUIREMENTS OF IEC 61076-4-101 AND BELLCORE GR-1217-CORE
- 2 RoHS DIRECTIVE COMPLIANCE, MAX SOLDERING TEMPERATURE 225°C.

MATERIALS

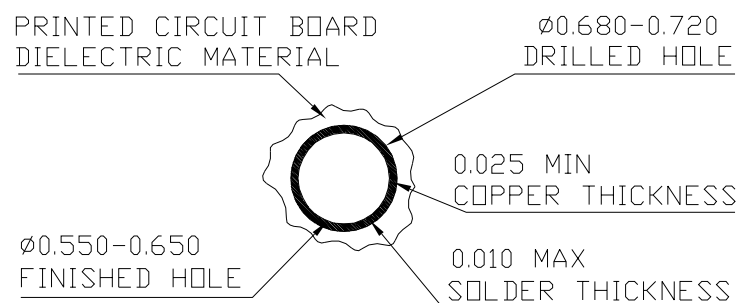
- ① Insulators — Thermoplastic Polyester, glass filled
Rated UL 94V-0, Color: Gray
- ② Pin contacts — Copper Alloy
Finish: Mating Zone=Gold
Compliant Zone=Matte Tin
Performance Class 2= 250 cycles

PERFORMANCE CHARACTERISTICS

- Insulation resistance — 10,000 megohms minimum
- Dielectric withstanding voltage (at sea level) — 750 Vrms
- Current rating — 1 amp @70°C, fully loaded
1.5 amp @20°C, fully loaded
- Operating temperature range — -55°C to +125°C
- Contact resistance — 20 milliohms maximum

COMPLIANT CONTACT

- Max.Insertion Force (per contact) — 22.5 lbs./100 N
- Min. Retention force (per contact) — 4.5 lbs./20 N

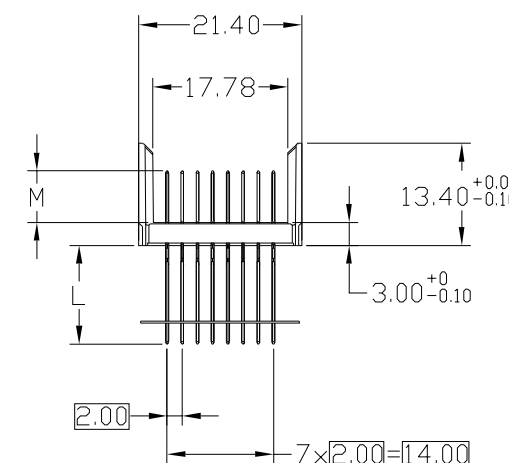
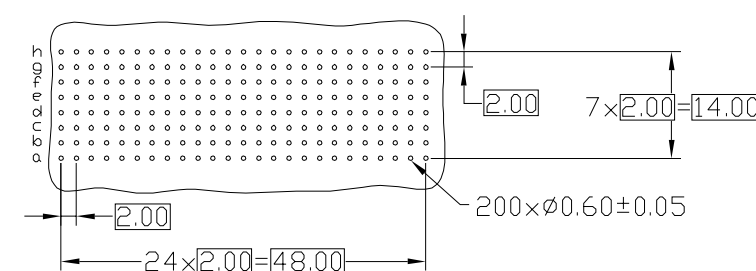
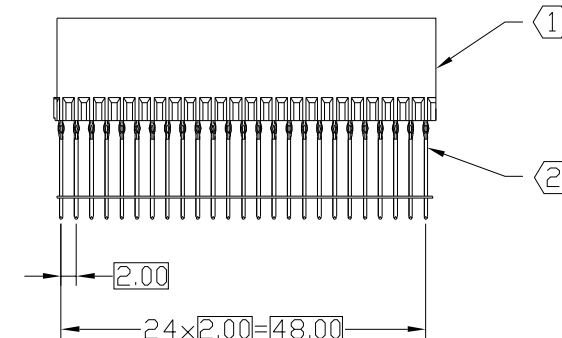
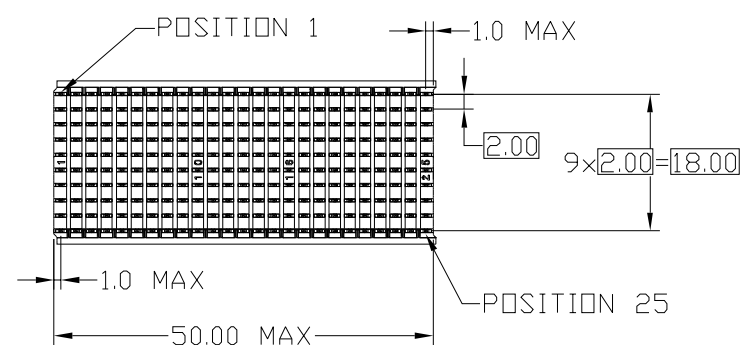


THRU HOLE PLATING
SCALE 20:1

	POS.1	POS.5	POS.10	POS.15	POS.20	POS.25
ROW i	0	0	0	0	0	0
ROW h	A	A	A	A	A	A
ROW g	A	A	A	A	A	A
ROW f	A	A	A	A	A	A
ROW e	A	A	A	A	A	A
ROW d	A	A	A	A	A	A
ROW c	A	A	A	A	A	A
ROW b	A	A	A	A	A	A
ROW a	A	A	A	A	A	A
ROW z	0	0	0	0	0	0

PIN CODE	MATING LENGTH OF CONTACTS	CONTACT TAIL LENGTHS
	M	L
0	NA	NA
A	.268/6.80	.512/13.00

SELECTIVE LOADING PATTERN



RECOMMENDED PC BOARD REQUIREMENTS
(COMPONENT SIDE BOARD SHOWN)

DESIGN UNITS ■ mm □ INCH	NAME: 2MM HEADER E TYPE		NEXTRONICS ENGINEERING CORP. TITLE: CUSTOMER DWG. C	
	GENERAL TOLERANCES: (UNLESS SPECIFIED)			
4 PLACE	±.**	±.**	APPD: 楊海文 5/16'11	DWG. NO: 010-0000-887-NX5E0AJ01C50RA
3 PLACE	±0.08	±.**	CHKD: 楊海文 5/16'11	
2 PLACE	±0.15	±.**	DRAWN: 廖小瓊 5/16'11	SCALE: 1/1 SHEET: 1/1 REV.: A
1 PLACE	±0.20	±.**		
ANGULAR:	X°±.**	.X°±.**		

A	***	Release	5/16'11	廖小瓊	楊海文
REV.	ECN. NO.	DESCRIPTION	DATE	DRAWN	APPD