

**NOTES:**

- 1 THIS CONNECTOR IS DESIGNED TO MEET THE APPLICABLE PERFORMANCE REQUIREMENTS OF IEC 61076-4-101 AND BELLCORE GR-1217-CORE
- 2 RoHS DIRECTIVE COMPLIANCE, MAX SOLDERING TEMPERATURE 225°C.

**MATERIALS**

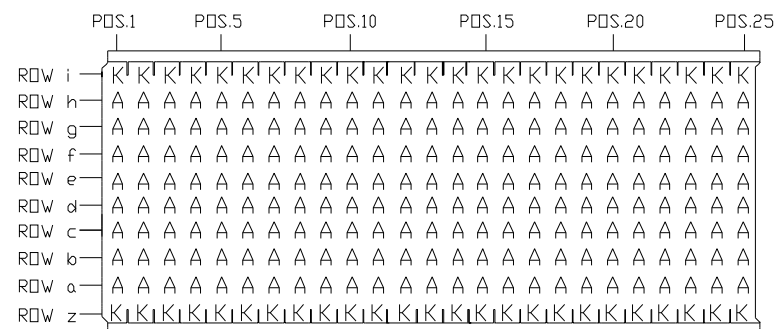
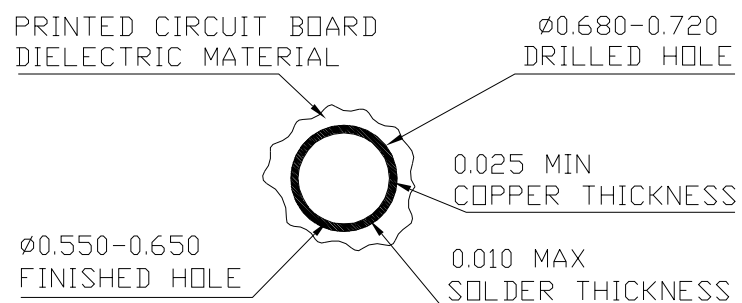
- ① Insulators — Thermoplastic Polyester, glass filled  
Rated UL 94V-0, Color: Gray
- ② Pin contacts — Copper Alloy  
Finish: Mating Zone=Gold  
Compliant Zone=Matte Tin  
Performance Class 2= 250 cycles

**PERFORMANCE CHARACTERISTICS**

- Insulation resistance — 10,000 megohms minimum
- Dielectric withstanding voltage (at sea level) — 750 Vrms
- Current rating — 1 amp @70°C, fully loaded  
1.5 amp @20°C, fully loaded
- Operating temperature range — -55°C to +125°C
- Contact resistance — 20 milliohms maximum

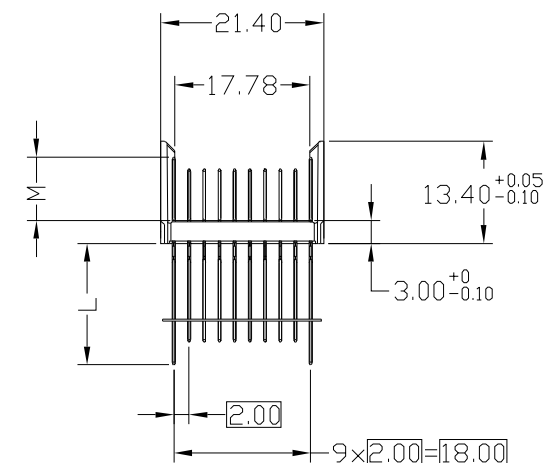
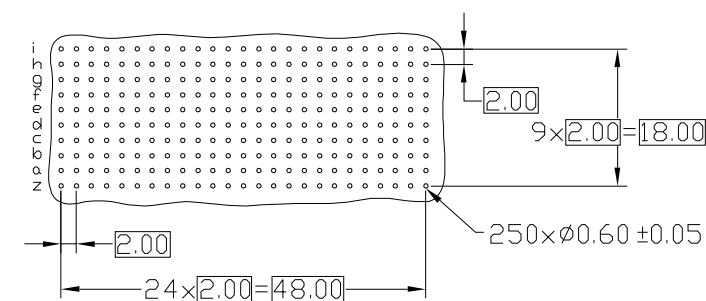
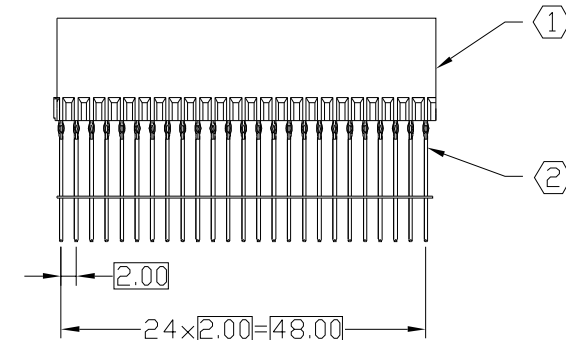
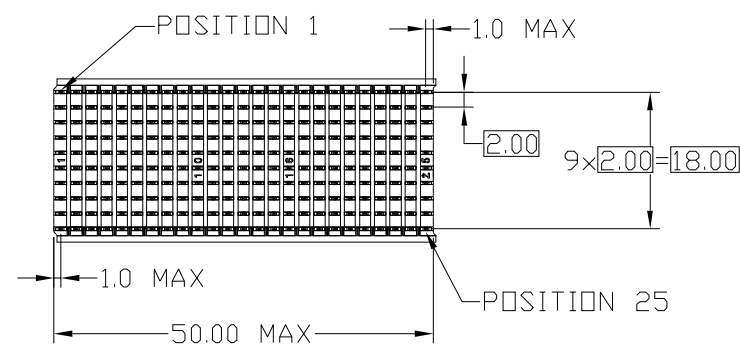
**COMPLIANT CONTACT**

- Max.Insertion Force (per contact) — 22.5 lbs./100 N
- Min. Retention force (per contact) — 4.5 lbs./20 N



SELECTIVE LOADING CHART		
PIN CODE	MATING LENGTH OF CONTACTS	CONTACT TAIL LENGTHS
A	M	L
K	.268/6.80	.512/13.00
	.327/8.30	.630/16.00

**SELECTIVE LOADING PATTERN**



**RECOMMENDED PC BOARD REQUIREMENTS**  
(COMPONENT SIDE BOARD SHOWN)

DESIGN UNITS ■ mm □ INCH	NAME: 2MM HEADER E TYPE		NEXTRONICS ENGINEERING CORP. TITLE: CUSTOMER DWG. C	
	GENERAL TOLERANCES: (UNLESS SPECIFIED)			
4 PLACE	±.***	±.***	APPD: 楊海文 5/16'11	DWG. NO: 010-0000-887-NX5E0AJ01C54RA
3 PLACE	±0.08	±.***	CHKD: 楊海文 5/16'11	
2 PLACE	±0.15	±.***	DRAWN: 廖小瓊 5/16'11	SCALE: 1 / 1 SHEET: 1 / 1 REV.: A
1 PLACE	±0.20	±.***		
ANGULAR:	X°±.***	.X°±.***		

A	***	Release	5/16'11	廖小瓊	楊海文
REV.	ECN. NO.	DESCRIPTION	DATE	DRAWN	APPD