

**NOTES:**

- 1 THIS CONNECTOR IS DESIGNED TO MEET THE APPLICABLE PERFORMANCE REQUIREMENTS OF IEC 61076-4-101 AND BELLCORE GR-1217-CORE
- 2 RoHS DIRECTIVE COMPLIANCE, MAX SOLDERING TEMPERATURE 225°C.

**MATERIALS**

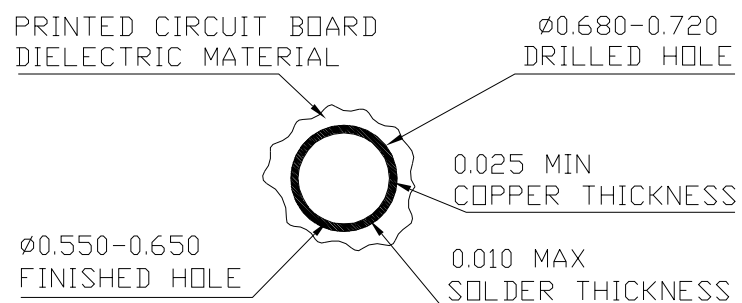
- ① Insulators ————— Thermoplastic Polyester, glass filled  
Rated UL 94V-0, Color: Gray
- ② Pin contacts ————— Copper Alloy  
Finish: Mating Zone=Gold  
Compliant Zone=Matte Tin  
Performance Class 2= 250 cycles

**PERFORMANCE CHARACTERISTICS**

- Insulation resistance ————— 10,000 megohms minimum
- Dielectric withstanding voltage (at sea level) ————— 750 Vrms
- Current rating ————— 1 amp @70°C, fully loaded  
1.5 amp @20°C, fully loaded
- Operating temperature range ————— -55°C to +125°C
- Contact resistance ————— 20 milliohms maximum

**COMPLIANT CONTACT**

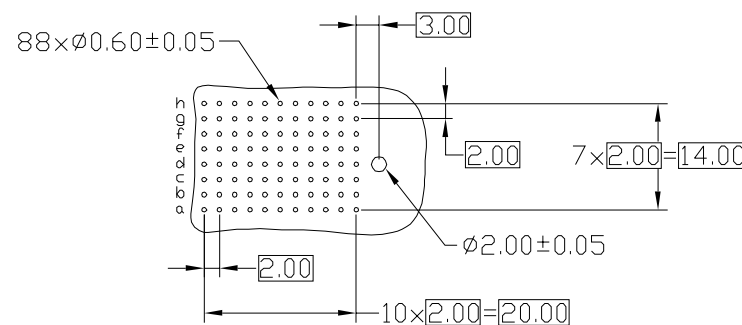
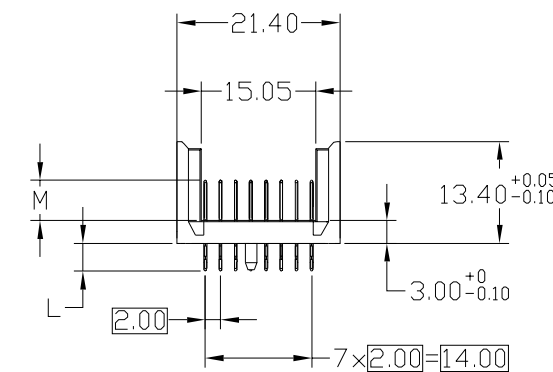
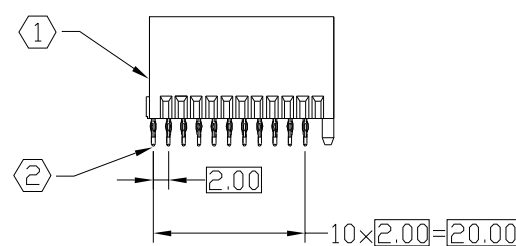
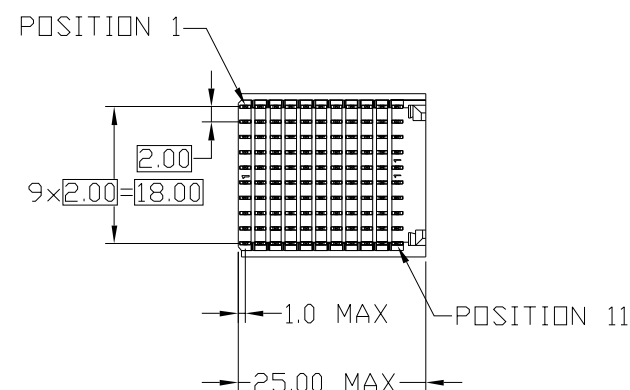
- Max.Insertion Force (per contact) ————— 22.5 lbs./100 N
- Min. Retention force (per contact) ————— 4.5 lbs./20 N



	POS.1	POS.5	POS.11
ROW i	0	0	0
ROW h	4	4	4
ROW g	4	4	4
ROW f	4	4	4
ROW e	4	4	4
ROW d	4	4	4
ROW c	4	4	4
ROW b	4	4	4
ROW a	4	4	4
ROW z	0	0	0

PIN CODE	MATING LENGTH OF CONTACTS	CONTACT TAIL LENGTHS
	M	L
0	NA	NA
4	.209/5.30	.146/3.70

**SELECTIVE LOADING PATTERN**



**RECOMMENDED PC BOARD REQUIREMENTS**  
(COMPONENT SIDE BOARD SHOWN)

DESIGN UNITS ■ mm □ INCH	NAME: 2MM HEADER F TYPE	<b>nexttron</b> NEXTRONICS ENGINEERING CORP.	
GENERAL TOLERANCES: (UNLESS SPECIFIED)	PART NO: NX5F0AJ01A10PA	TITLE: CUSTOMER DWG.	C
4 PLACE ±*** ±.***	APPD: 楊海文 5/16'11	DWG. NO: 010-0000-888-NX5F0AJ01A10PA	
3 PLACE ±0.08 ±.***	CHKD: 楊海文 5/16'11	SCALE: 1 / 1	SHEET: 1 / 1
2 PLACE ±0.15 ±.***	DRAWN: 廖小瓊 5/16'11	REV.: A	
1 PLACE ±0.20 ±.***			
ANGULAR: X°±*** .X°±***			

A	***	Release	5/16'11	廖小瓊	楊海文
REV.	ECN. NO.	DESCRIPTION	DATE	DRAWN	APPD