

NOTES:

- 1 THIS CONNECTOR IS DESIGNED TO MEET THE APPLICABLE PERFORMANCE REQUIREMENTS OF IEC 61076-4-101 AND BELLCORE GR-1217-CORE
- 2 RoHS DIRECTIVE COMPLIANCE, MAX SOLDERING TEMPERATURE 225°C.

MATERIALS

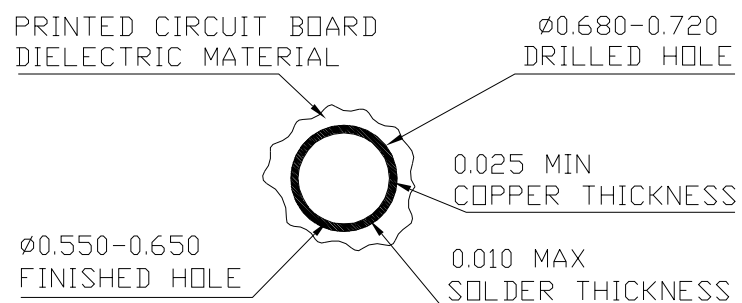
- ① Insulators — Thermoplastic Polyester, glass filled
Rated UL 94V-0, Color: Gray
- ② Pin contacts — Copper Alloy
Finish: Mating Zone=Gold
Compliant Zone=Matte Tin
Performance Class 2= 250 cycles

PERFORMANCE CHARACTERISTICS

- Insulation resistance — 10,000 megohms minimum
- Dielectric withstanding voltage (at sea level) — 750 Vrms
- Current rating — 1 amp @70°C, fully loaded
1.5 amp @20°C, fully loaded
- Operating temperature range — -55°C to +125°C
- Contact resistance — 20 milliohms maximum

COMPLIANT CONTACT

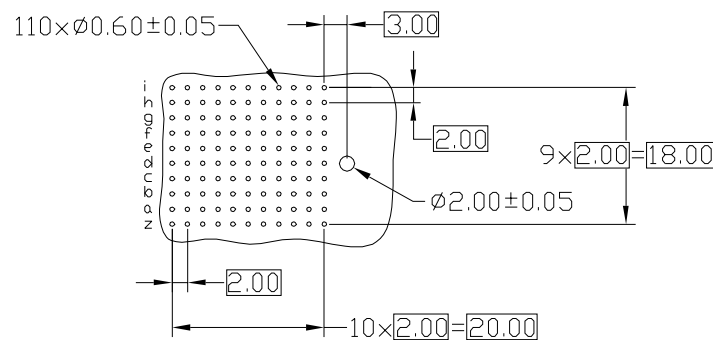
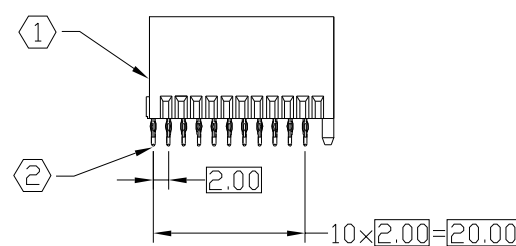
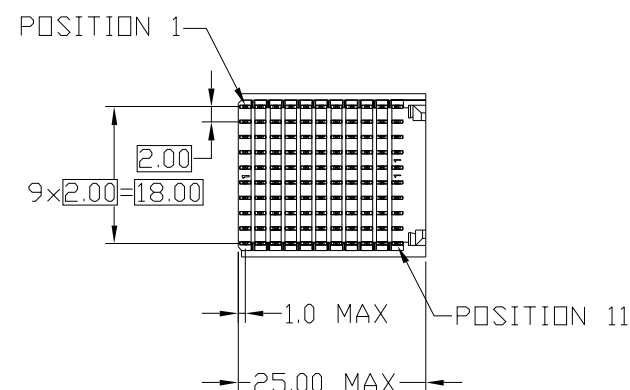
- Max.Insertion Force (per contact) — 22.5 lbs./100 N
- Min. Retention force (per contact) — 4.5 lbs./20 N



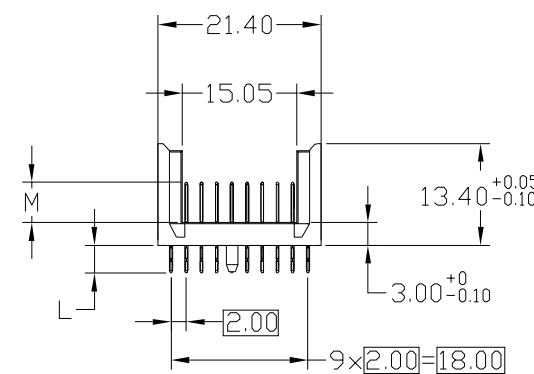
	POS.1	POS.5	POS.11
ROW i	6	6	6
ROW h	4	4	4
ROW g	4	4	4
ROW f	4	4	4
ROW e	4	4	4
ROW d	4	4	4
ROW c	4	4	4
ROW b	4	4	4
ROW a	4	4	4
ROW z	6	6	6

PIN CODE	MATING LENGTH OF CONTACTS	CONTACT TAIL LENGTHS
	M	L
4	.209/5.30	.146/3.70
6	.329/8.35	.146/3.70

SELECTIVE LOADING PATTERN



RECOMMENDED PC BOARD REQUIREMENTS
(COMPONENT SIDE BOARD SHOWN)



DESIGN UNITS ■ mm □ INCH	NAME: 2MM HEADER F TYPE	nexttron NEXTRONICS ENGINEERING CORP.	
GENERAL TOLERANCES: (UNLESS SPECIFIED)	PART NO: NX5F0AJ01A11PA	TITLE: CUSTOMER DWG.	C
4 PLACE ±*** ±.***	APPD: 楊海文 5/16'11	DWG. NO: 010-0000-888-NX5F0AJ01A11PA	
3 PLACE ±0.08 ±.***	CHKD: 楊海文 5/16'11	SCALE: 1 / 1	SHEET: 1 / 1
2 PLACE ±0.15 ±.***	DRAWN: 廖小瓊 5/16'11	REV.: A	
1 PLACE ±0.20 ±.***			
ANGULAR: X°±*** .X°±***			

A	***	Release	5/16'11	廖小瓊	楊海文
REV.	ECN. NO.	DESCRIPTION	DATE	DRAWN	APPD