

NOTES:

- 1 THIS CONNECTOR IS DESIGNED TO MEET THE APPLICABLE PERFORMANCE REQUIREMENTS OF IEC 61076-4-101 AND BELLCORE GR-1217-CORE
- 2 RoHS DIRECTIVE COMPLIANCE, MAX SOLDERING TEMPERATURE 225°C.

MATERIALS

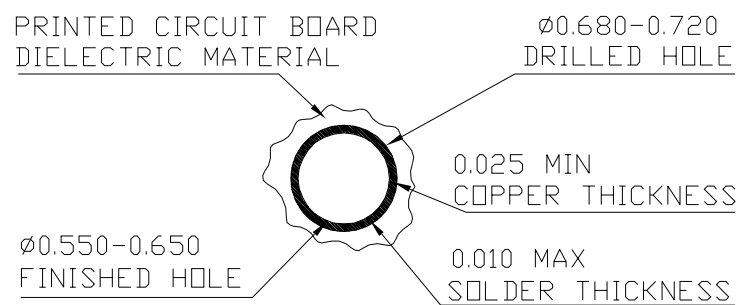
- ① Insulators — Thermoplastic Polyester, glass filled Rated UL 94V-0, Color: Gray
- ② Pin contacts — Copper Alloy Finish: Mating Zone=Gold Compliant Zone=Matte Tin Performance Class 2= 250 cycles

PERFORMANCE CHARACTERISTICS

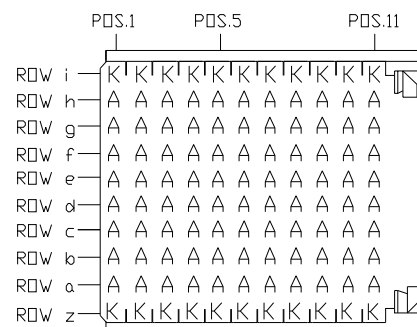
- Insulation resistance — 10,000 megohms minimum
- Dielectric withstanding voltage (at sea level) — 750 Vrms
- Current rating — 1 amp @70°C, fully loaded
1.5 amp @20°C, fully loaded
- Operating temperature range — -55°C to +125°C
- Contact resistance — 20 milliohms maximum

COMPLIANT CONTACT

- Max.Insertion Force (per contact) — 22.5 lbs./100 N
- Min. Retention force (per contact) — 4.5 lbs./20 N



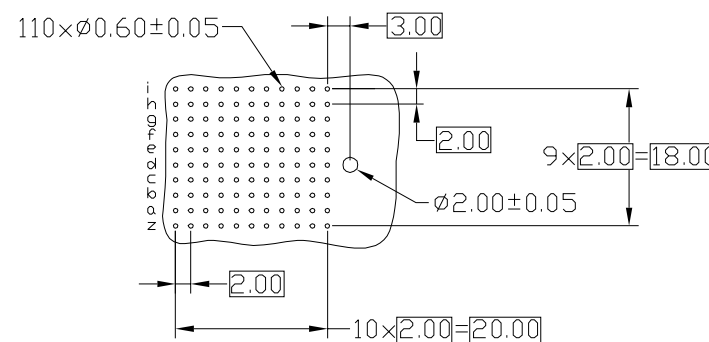
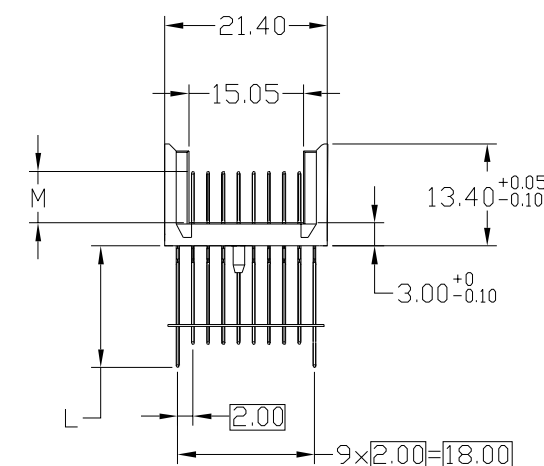
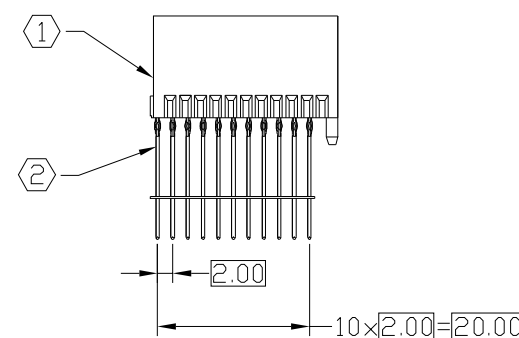
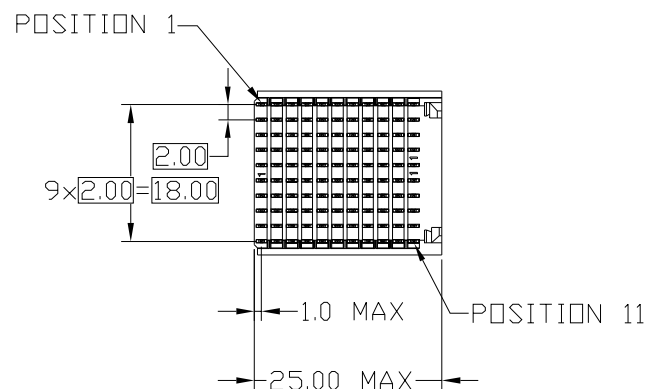
THRU HOLE PLATING
SCALE 20:1



SELECTIVE LOADING CHART

PIN CODE	MATING LENGTH OF CONTACTS	CONTACT TAIL LENGTHS
	M	L
A	.268/6.80	.512/13.00
K	.329/8.35	.630/16.00

SELECTIVE LOADING PATTERN



RECOMMENDED PC BOARD REQUIREMENTS
(COMPONENT SIDE BOARD SHOWN)

DESIGN UNITS ■ mm □ INCH	NAME: 2MM HEADER F TYPE	nexttron NEXTRONICS ENGINEERING CORP.	
GENERAL TOLERANCES: (UNLESS SPECIFIED)	PART NO: NX5F0AJ01C54RA	TITLE: CUSTOMER DWG.	C
4 PLACE ±.**	APPD: 楊海文 5/16'11	DWG. NO: 010-0000-888-NX5F0AJ01C54RA	
3 PLACE ±0.08	CHKD: 楊海文 5/16'11	SCALE: 1 / 1	SHEET: 1 / 1
2 PLACE ±0.15	DRAWN: 廖小瓊 5/16'11	REV.: A	
1 PLACE ±0.20			
ANGULAR: X°±.**			

A	***	Release	5/16'11	廖小瓊	楊海文
REV.	ECN. NO.	DESCRIPTION	DATE	DRAWN	APPD