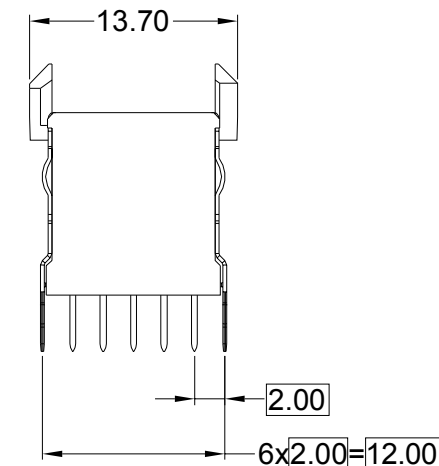
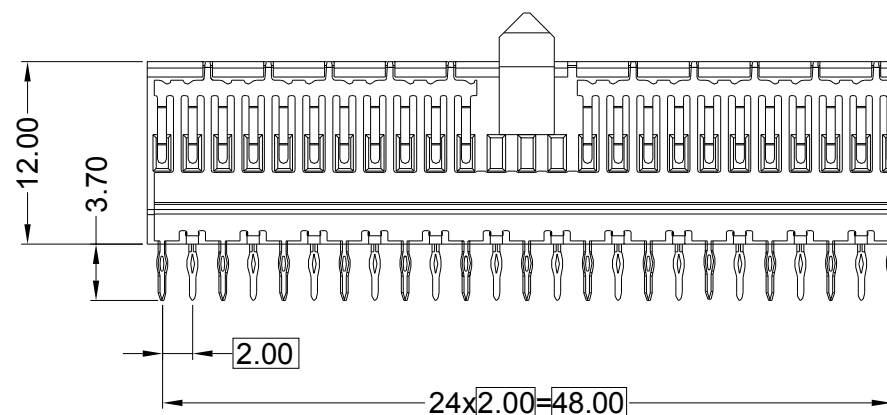
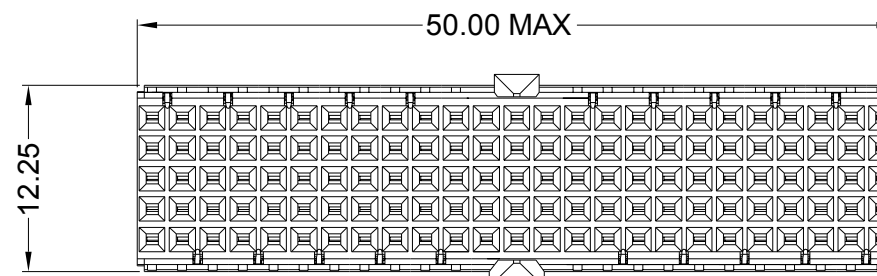
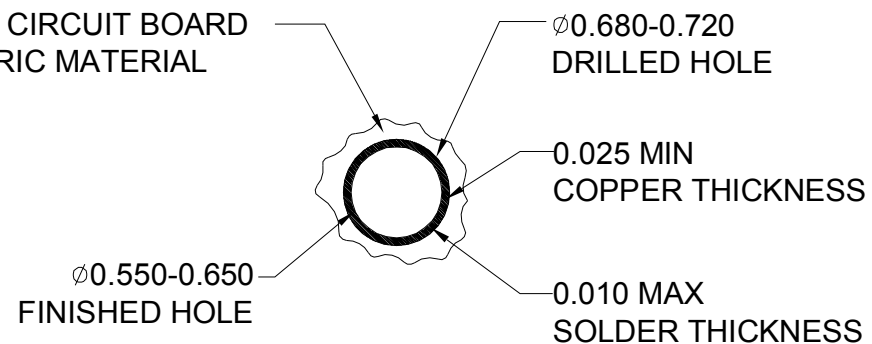


NOTES:

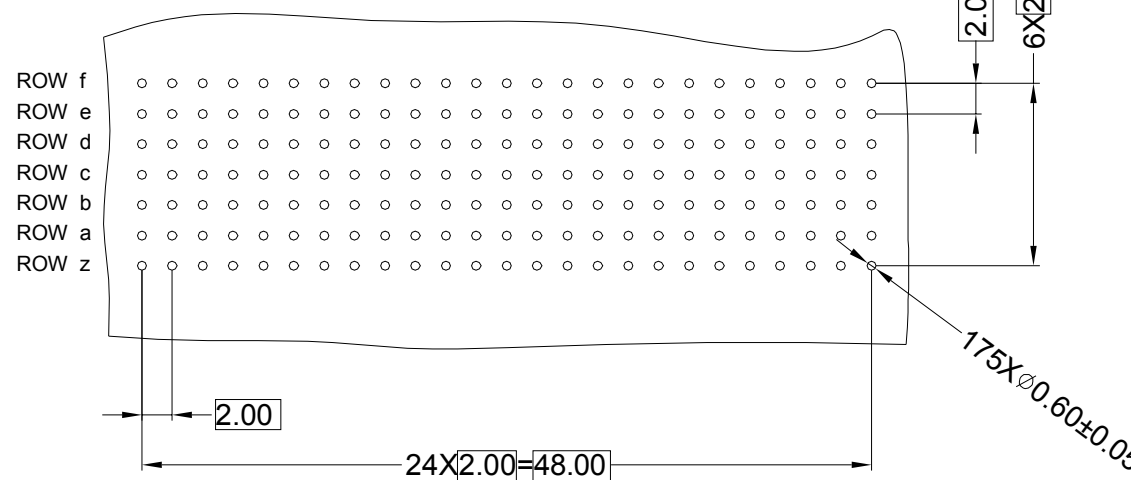
1. ALL DIMENSION ARE IN mm.
2. MATERIAL:
HOUSING: THERMOPLASTIC(94V-0) COLOR: GRAY
CONTACT: COPPER ALLOY
3. FINISH:
CONTACT AREA: GOLD PLATING;
PRESS FIT AREA: MATTE TIN PLATING.
4. ENGAGING AND SEPARATING FORCES PER IEC 61076-4-101.
5. ROHS DIRECTIVE COMPLIANCE.
6. MAX SOLDERING TEMPERATURE 225°C.
7. PERFORMANCE CHARACTERISTICS
INSULATION RESISTANCE: 10,000 MEGOHMS MINIMUM
DIELECTRIC WITHSTANDING VOLTAGE(AT SEA LEVEL): 750 Vrms
CURRENT RATING: 1 AMP AT 70°C, FULLY LOADED
1.5 AMP AT 20°C, FULLY LOADED
OPERATING TEMPERATURE RANGE: -55°C TO +125°C
CONTACT RESISTANCE: 20 MILLIOHMS MAXIMUM



PRINTED CIRCUIT BOARD
DIELECTRIC MATERIAL



THRU HOLE PLATING
SCALE 10:1



PCB LAYOUT

DESIGN UNITS ■ mm □ INCH		NAME: 2MM 180° SOCKET AB TYPE WITH SHIELD		NEXTRONICS ENGINEERING CORP. TITLE: CUSTOMER DWG	
GENERAL TOLERANCES: (UNLESS SPECIFIED)		PART NO: NX7ABAA01A2AF			
	mm	INCH	APPD: 楊海文 5/20'11	SCALE: 1/1 SHEET: 1/1 REV.: X1	
4 PLACE	± **	± .**	CHKD: 楊海文 5/20'11		
3 PLACE	± **	± .**	DRAWN: 廖小瓊 5/20'11		
2 PLACE	± 0.20	± .**			
1 PLACE	± 0.30	± .**			
ANGULAR:	X° ± **	.X° ± **			

X1	***	New Release	5/20'11	廖小瓊	楊海文
REV.	ECN. NO.	DESCRIPTION	DATE	DRAWN	APPD