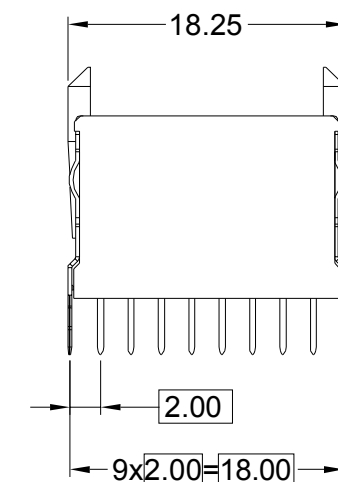
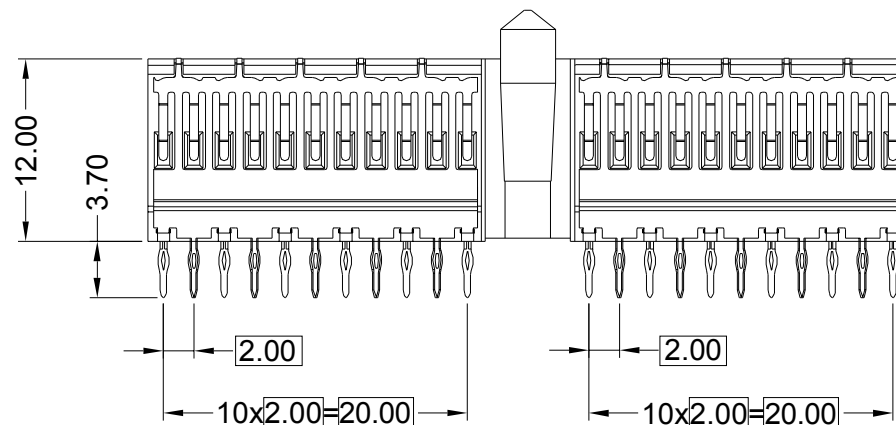
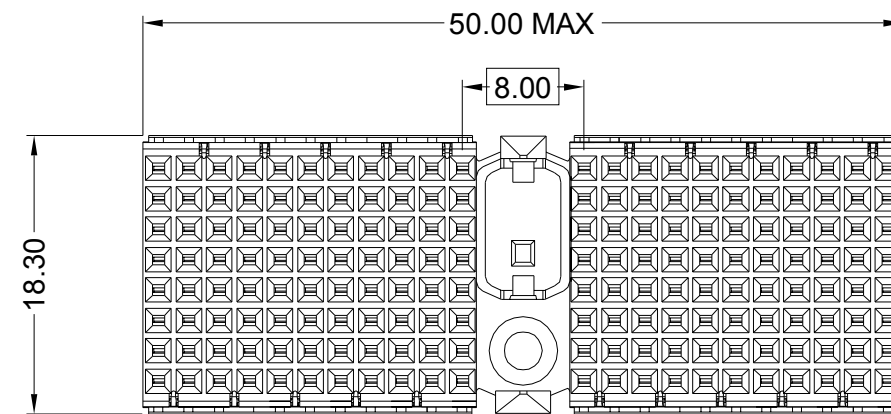
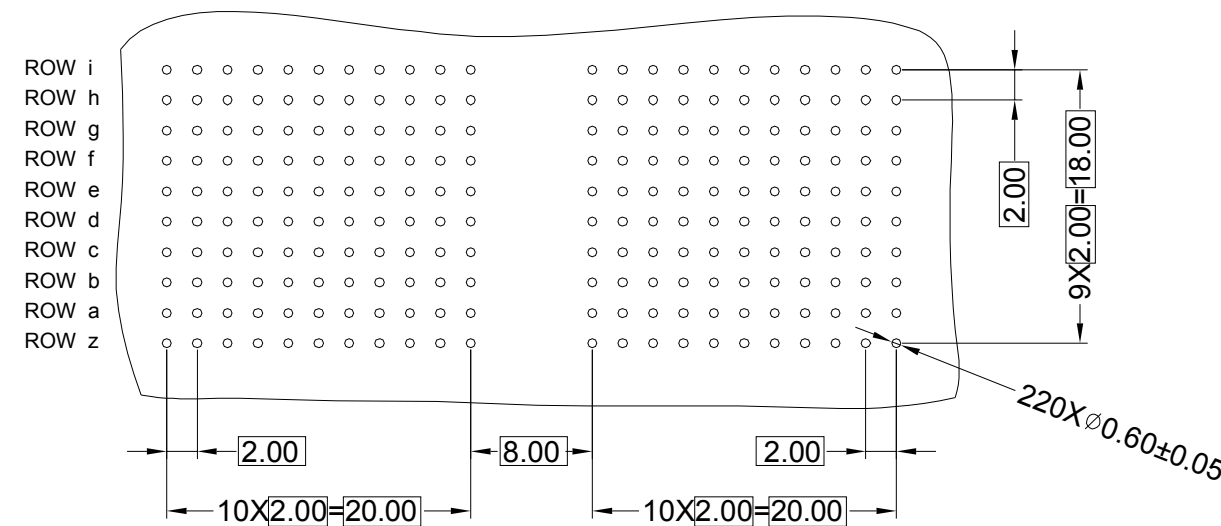
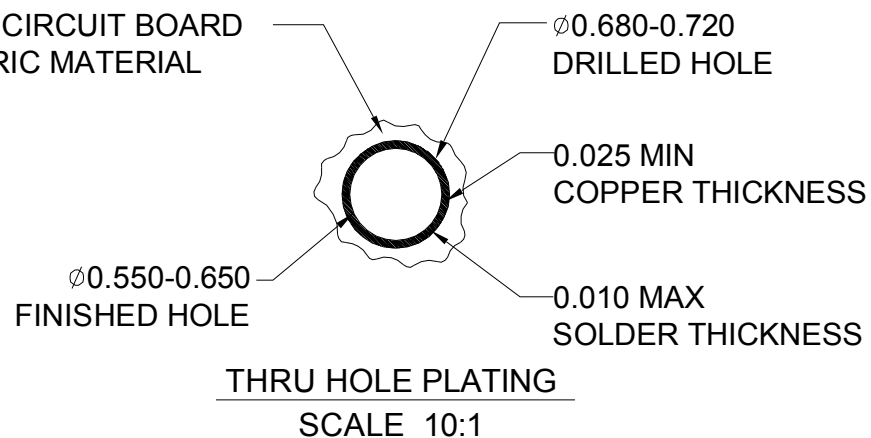


**NOTES:**

1. ALL DIMENSION ARE IN mm.
2. MATERIAL:  
HOUSING: THERMOPLASTIC(94V-0) COLOR: GRAY  
CONTACT: COPPER ALLOY
3. FINISH:  
CONTACT AREA: GOLD PLATING;  
PRESS FIT AREA: MATTE TIN PLATING.
4. ENGAGING AND SEPARATING FORCES PER IEC 61076-4-101.
5. ROHS DIRECTIVE COMPLIANCE.
6. MAX SOLDERING TEMPERATURE 225 °C.
7. PERFORMANCE CHARACTERISTICS  
INSULATION RESISTANCE: 10,000 MEGOHMS MINIMUM  
DIELECTRIC WITHSTANDING VOLTAGE(AT SEA LEVEL): 750 Vrms  
CURRENT RATING: 1 AMP AT 70° C, FULLY LOADED  
1.5 AMP AT 20° C, FULLY LOADED  
OPERATING TEMPERATURE RANGE: -55° C TO +125° C  
CONTACT RESISTANCE: 20 MILLIOHMS MAXIMUM



PRINTED CIRCUIT BOARD  
DIELECTRIC MATERIAL



PCB LAYOUT

DESIGN UNITS ■ mm □ INCH		NAME: 2MM 180° SOCKET D TYPE WITH SHIELD		 NEXTRONICS ENGINEERING CORP. TITLE: CUSTOMER DWG C	
GENERAL TOLERANCES: (UNLESS SPECIFIED)		PART NO: NX7D0AB01A2AF			
4 PLACE	±.**	±.**	APPD: 楊海文 5/20'11	SCALE: 1/1	
3 PLACE	±.**	±.**	CHKD: 楊海文 5/20'11	SHEET: 1 / 1	
2 PLACE	±0.20	±.**	DRAWN: 廖小瓊 5/20'11	REV.: X1	
1 PLACE	±0.30	±.**			
ANGULAR:	X°±.**	.X°±.**			

X1	***	New Release	5/20'11	廖小瓊	楊海文
REV.	ECN. NO.	DESCRIPTION	DATE	DRAWN	APPD