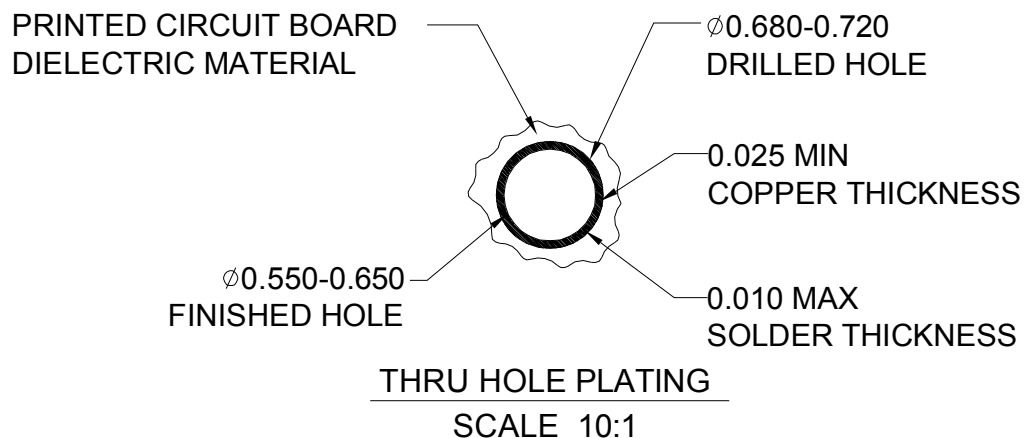


NOTES:
 1. ALL DIMENSION ARE IN mm.
 2. MATERIAL:
 HOUSING: THERMOPLASTIC(94V-0) COLOR: GRAY
 CONTACT: COPPER ALLOY
 3. FINISH:
 CONTACT AREA: GOLD PLATING;
 PRESS FIT AREA: MATTE TIN PLATING.
 4. ENGAGING AND SEPARATING FORCES PER IEC 61076-4-101.
 5. ROHS DIRECTIVE COMPLIANCE.
 6. MAX SOLDERING TEMPERATURE 225 °C.
 7. PERFORMANCE CHARACTERISTICS
 INSULATION RESISTANCE: 10,000 MEGOHMS MINIMUM
 DIELECTRIC WITHSTANDING VOLTAGE (AT SEA LEVEL): 750 Vrms
 CURRENT RATING: 1 AMP AT 70 °C, FULLY LOADED
 1.5 AMP AT 20 °C, FULLY LOADED
 OPERATING TEMPERATURE RANGE: -55 °C TO +125 °C
 CONTACT RESISTANCE: 20 MILLIOHMS MAXIMUM



DESIGN UNITS ■ mm □ INCH		NAME: 2MM 180° SOCKET E TYPE NO SHIELD	nexttron NEXTRONICS ENGINEERING CORP.	
GENERAL TOLERANCES: (UNLESS SPECIFIED)		PART NO: NX7E0AB01A0AF	TITLE: CUSTOMER DWG C	
	mm	INCH	DWG. NO: 010-0000-856-NX7E0AB01A0AF	
4 PLACE	±.**	±.**	APPD: 楊海文 5/20'11	SCALE: 1/1 SHEET: 1/1 REV.: X1
3 PLACE	±.**	±.**	CHKD: 楊海文 5/20'11	
2 PLACE	±0.20	±.**	DRAWN: 廖小瓊 5/20'11	
1 PLACE	±0.30	±.**		
ANGULAR:	X°±.**	.X°±.**		

X1	***	New Release	5/20'11	廖小瓊	楊海文
REV.	ECN. NO.	DESCRIPTION	DATE	DRAWN	APPD

PCB LAYOUT