

**NOTES:**

- ① THIS CONNECTOR IS DESIGNED TO MEET THE APPLICABLE PERFORMANCE REQUIREMENTS OF IEC 61076-4-101 AND BELLCORE GR-1217-CORE
- 2 RoHS DIRECTIVE COMPLIANCE, MAX SOLDERING TEMPERATURE 225°C.
- 3 CONNECTORS ARE END STACKABLE ON A 2.0 GRID.
- 4 FOR COMPLIANT CONTACT PLATED THRU HOLE REQUIREMENTS SEE THRU HOLE PLATING VIEW. MINIMUM P.C.BOARD THICKNESS 1.57 NOMINAL.
- 5 OPTIONAL BOTTOM SHIELD SOLD SEPARATELY
- ⑥ NO GAP PERMISSIBLE TO PC BOARD.

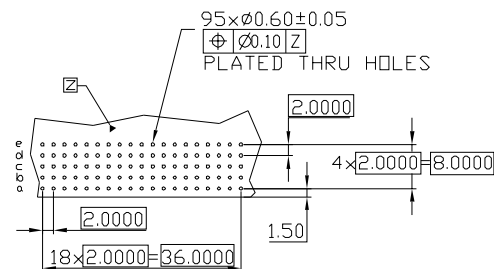
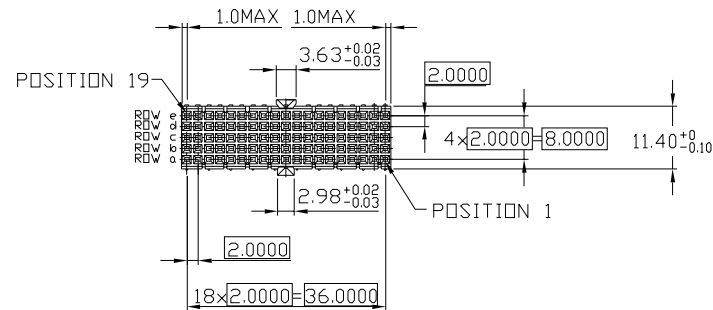
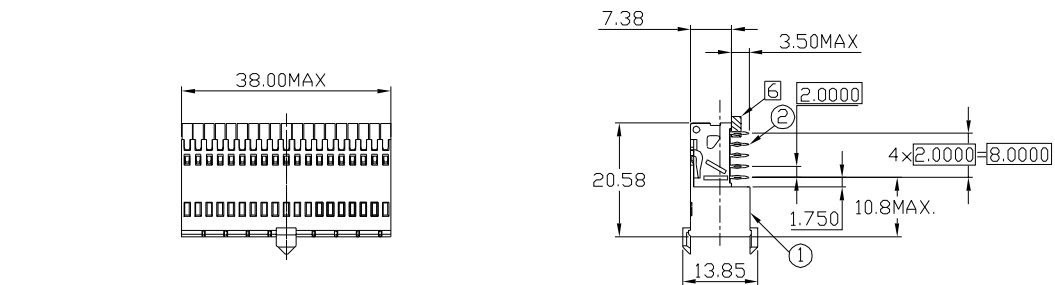
SPECIFICATIONS

MATERIALS

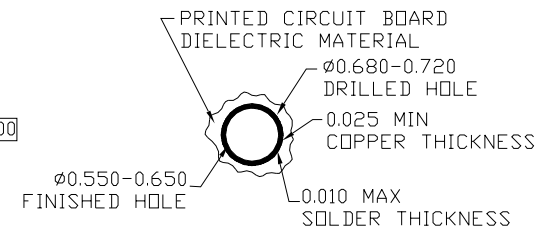
- ① Insulators:  
Thermoplastic Polyester, glass filled  
Rated UL 94V-0, Color: Gray
- ② Pin contacts:  
Copper Alloy  
Finish: Mating Zone=Gold  
Compliant Zone=Matte Tin  
Performance Class 2= 250 cycles

PERFORMANCE CHARACTERISTICS ①

Insulation resistance: 10,000 megohms minimum  
 Dielectric withstanding voltage(at sea level): 750 Vrms  
 Current rating: 1 amp @70°C, fully loaded  
 1.5 amp @20°C, fully loaded  
 Operating temperature range: -55°C to +125°C  
 Contact resistance: 20 milliohms maximum



RECOMMENDED PC BOARD REQUIREMENTS  
(COMPONENT SIDE BOARD SHOWN)



THRU HOLE PLATING  
SCALE 10:1

UNITS <input checked="" type="checkbox"/> mm <input type="checkbox"/> INCH		NAME: 2MM SOCKET AB19 WITHOUT SHIELD		 NEXTRONICS ENGINEERING CORP. TITLE: CUSTOMER DWG.	
GENERAL TOLERANCES: (UNLESS SPECIFIED)		PART NO: NX9ABBA14A0AF			
4 PLACE	±0.05	±.***	APPD: 楊海文 6/4'13	DWG NO: 010-0000-983-NX9ABBA14A0AF	
3 PLACE	±0.10	±.***	CHKD: 廖小瓊 6/4'13	C	
2 PLACE	±0.20	±.***	CHKD: 廖小瓊 6/4'13	SCALE: SHEET: REV.:	
1 PLACE	±0.30	±.***	DRAWN: 何潔賢 6/4'13	1/1 1/1 B	
ANGULAR:	X°±**	X°±**			

B	ECN-130093	6/4'13	Seawen
A	RELEASE	11/18'11	Seawen
REV.	DESCRIPTION	DATE	APPD