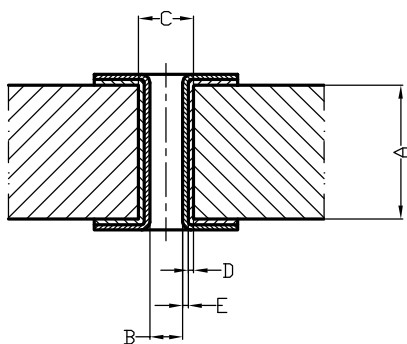



		Dimension
A	PCB Thickness	Minimum 1.4 mm
B	Plated Through Hole Diameter	0.60 +/- 0.05 mm
C	Drill Hole Diameter	0.70 +/- 0.02 mm
D	Cu Thickness	Minimum 25µm
E	Plating Thickness	(Minimum 0.5µm Immersion Sn)

7 PLATED THROUGH-HOLE DIMENSIONS



7 PLATED THROUGH-HOLE CROSS SECTION (SCALE 10:1)

DESIGN UNITS <input checked="" type="checkbox"/> mm <input type="checkbox"/> INCH		NAME: MicroTCA Power Connector Module Version		 NEXTRONICS ENGINEERING CORP.							
CUSTOM DWG. NO/REV ***		PART NO: R-819B8113M0010		TITLE: CUSTOMER DWG C							
.X ± 0.30	X° ± 2°	APPD: 楊海文 1/14'11		DWG. NO: 010-0000-518							
.XX ± 0.15	.X° ± 1°	CHKD: 廖小瓊 1/14'11		<table border="1"> <tr> <td>SCALE:</td> <td>SHEET:</td> <td>REV.:</td> </tr> <tr> <td>1 / 1</td> <td>2 / 2</td> <td>B</td> </tr> </table>		SCALE:	SHEET:	REV.:	1 / 1	2 / 2	B
SCALE:	SHEET:	REV.:									
1 / 1	2 / 2	B									
REV.	ECN. NO.	DESCRIPTION	DATE	DRAWN	APPD						

B	ECN-100307	Update	1/14'11	何潔賢	楊海文
A	ECN090038	Release	11/18'09	何潔賢	楊海文
REV.	ECN. NO.	DESCRIPTION	DATE	DRAWN	APPD