

NOTE:

1. MATERIAL AND FINISH

1.1. SHELL ASSEMBLY: COPPER ALLOY, OUTER SHELL AND COLLET

NUT Cr PLATING, OTHER METALLIC COMPONENTS Ni PLATING

1.2. INSULATOR: PEEK

1.3. CONTACT: COPPER ALLOY, GOLD PLATING

2. RoHS COMPLIANCE

3. PART NO.

X2 R - F 0 S S * * 0 * D 2 0 * *

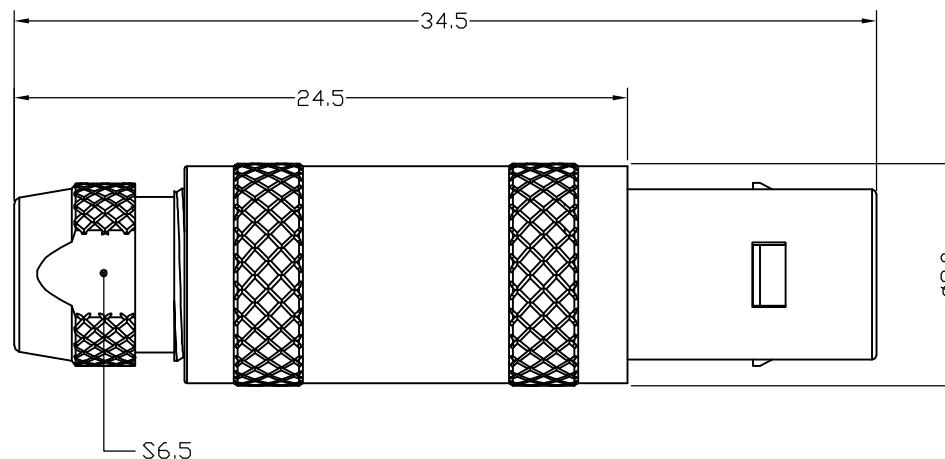
CONTACT POS.
02-06=2pin-6pin

SHELL MATERIAL
0=Brass

CODE	CONTACT TYPE
2	Solder Contact
C	Crimp Contact
3	Print Contact

COLLET NUT
2=Nut for Standard

CABLE OD
22=OD:1.3mm-2.2mm
32=OD:2.2mm-3.2mm
37=OD:3.2mm-3.7mm
44=OD:3.7mm-4.4mm



POSITIONS	02 PIN	03 PIN	04 PIN	06 PIN
VIEW FROM TERMINATION SIDE SOCKET PART				

UNITS		
<input checked="" type="checkbox"/> mm	<input type="checkbox"/> INCH	
GENERAL TOLERANCES: (UNLESS SPECIFIED)		
	mm	INCH
4 PLACE	± **.05	± **.002
3 PLACE	± 0.10	± **.004
2 PLACE	± 0.30	± **.012
1 PLACE	± 0.50	± **.020
ANGULAR:	X° ± 2°	X° ± **.087

NAME:
SNAP LATCH METAL
05 PLUG

PART NO:
R-F0SS**0*D20**

APPD: Seawen 9/09'15

CHKD: Peter 9/09'15

DRAWN: Alex 9/09'15

nextron
NEXTRONICS ENGINEERING CORP.

TITLE:
CUSTOMER DWG.

DWG NO:
010-0000-D82

SCALE: SHEET: REV.:

5/1 1/1 X2

REV.	DESCRIPTION	DATE	APPD
X2	UPDATE NUMBERING	9/09'15	Seawen