

A VIEW FROM TERMINATION SIDE SOCKET PART

NOTE:

1. MATERIAL AND FINISH

1.1. SHELL ASSEMBLY: COPPER ALLOY, OUTER SHELL AND COLLET

NUT Cr PLATING, OTHER METALLIC COMPONENTS Ni PLATING

1.2. INSULATOR: PEEK

1.3. CONTACT: COPPER ALLOY, GOLD PLATING

2. RoHS COMPLIANCE

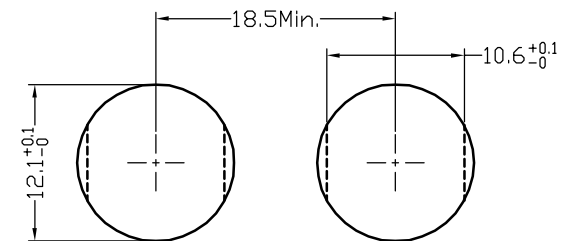
3. PART NO.

No. OF CONTACTS	∅C	L
02,03.....07,08	0.7	3.0
10,14,16	0.5	4.0

R - F 1 B R * * 0 * 0 0 * 0 0

CONTACT POS.	02-16=2pin-16pin
SHELL MATERIAL	0=Brass

CODE	KEY ANGLES
0	0
A	30°
B	60°
"	"

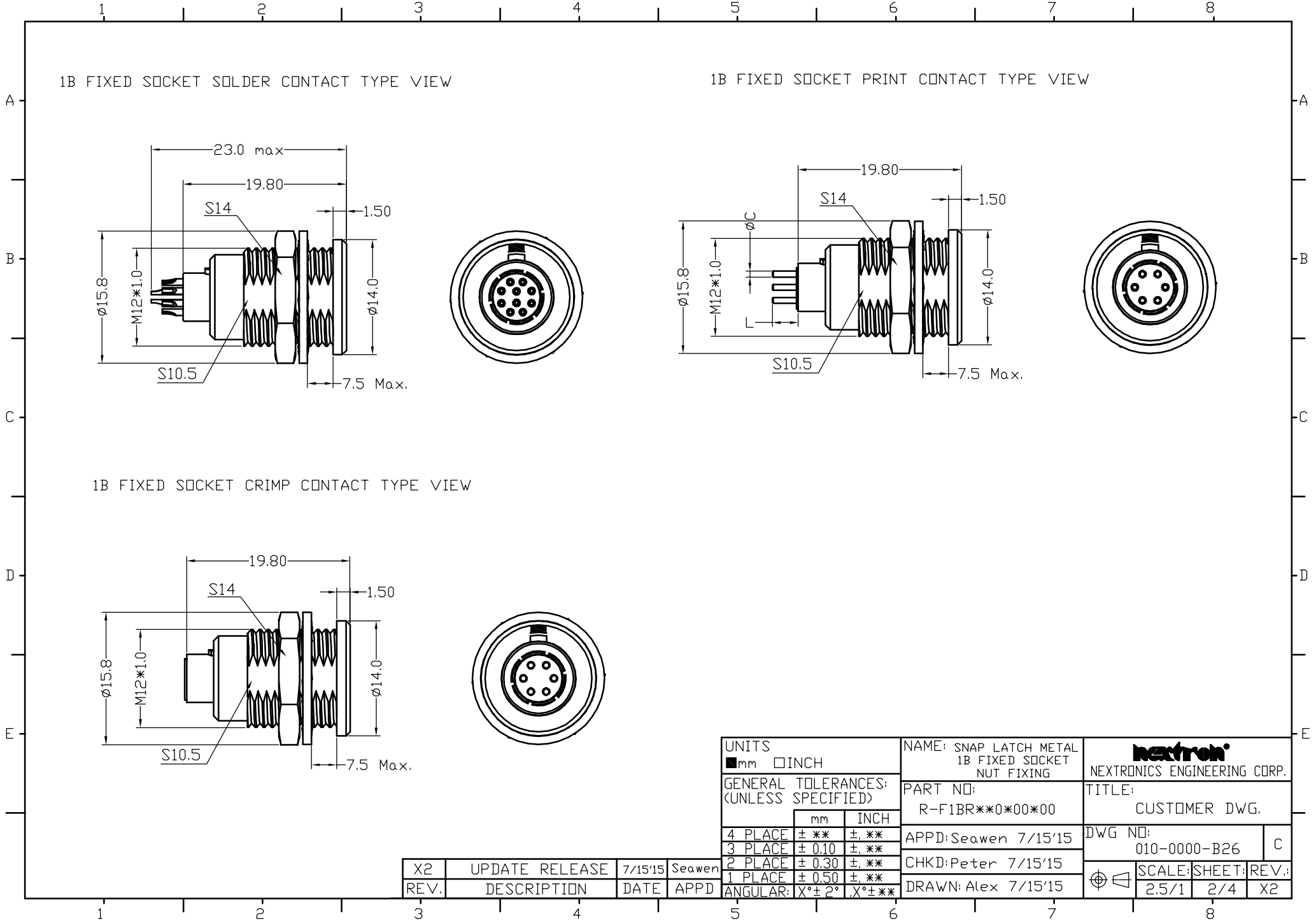


PANEL CUT-OUT

CODE	CONTACT TYPE
2	Male Solder Contact
4	Female Solder Contact
1	Male Print Contact
3	Female Print Contact
M	Crimp Female Contact
C	Crimp Male Contact

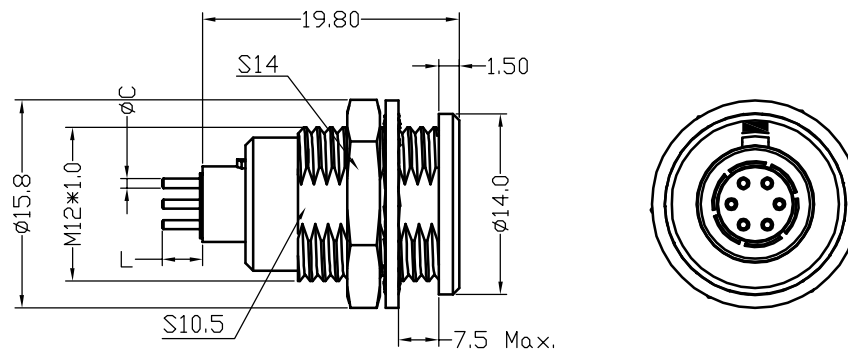
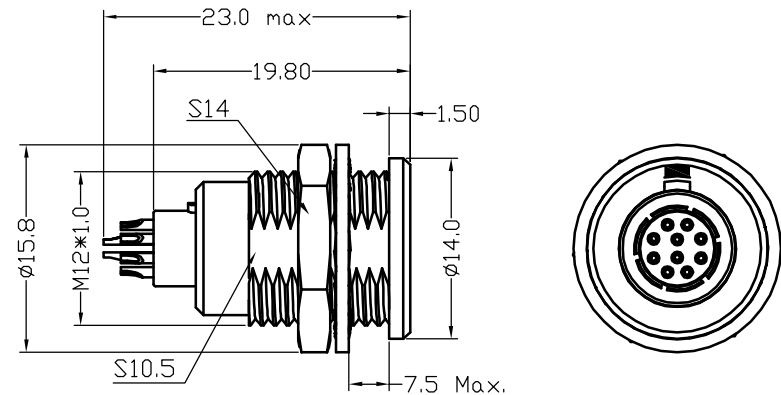
UNITS <input checked="" type="checkbox"/> mm <input type="checkbox"/> INCH		NAME: SNAP LATCH METAL 1B FIXED SOCKET NUT FIXING	nexttron NEXTTRONICS ENGINEERING CORP.	
GENERAL TOLERANCES: (UNLESS SPECIFIED)		PART NO: R-F1BR**0*00*00	TITLE: CUSTOMER DWG.	
	mm INCH	APPD: Seawen 7/15/15	DWG NO: 010-0000-B26	
4 PLACE	± ** ± **	CHKD: Peter 7/15/15	C	
3 PLACE	± 0.10 ± **	DRAWN: Alex 7/15/15	SCALE: SHEET: REV.: 2.5/1 1/4 X2	
2 PLACE	± 0.30 ± **			
1 PLACE	± 0.50 ± **			
ANGULAR:	X° ± 2° X° ± **			

REV.	DESCRIPTION	DATE	APPD
X2	UPDATE RELEASE	7/15/15	Seawen

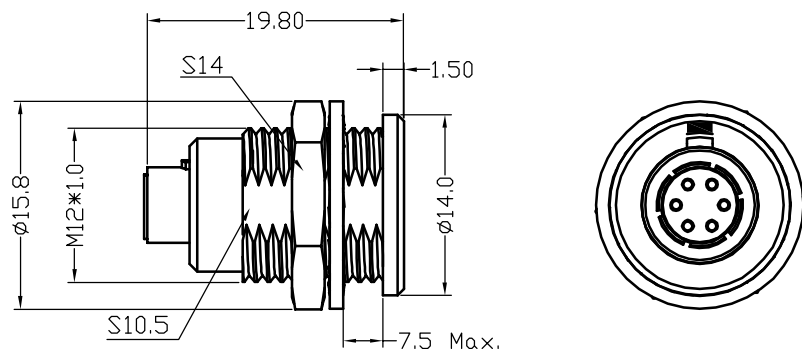


1B FIXED SOCKET SOLDER CONTACT TYPE VIEW

1B FIXED SOCKET PRINT CONTACT TYPE VIEW



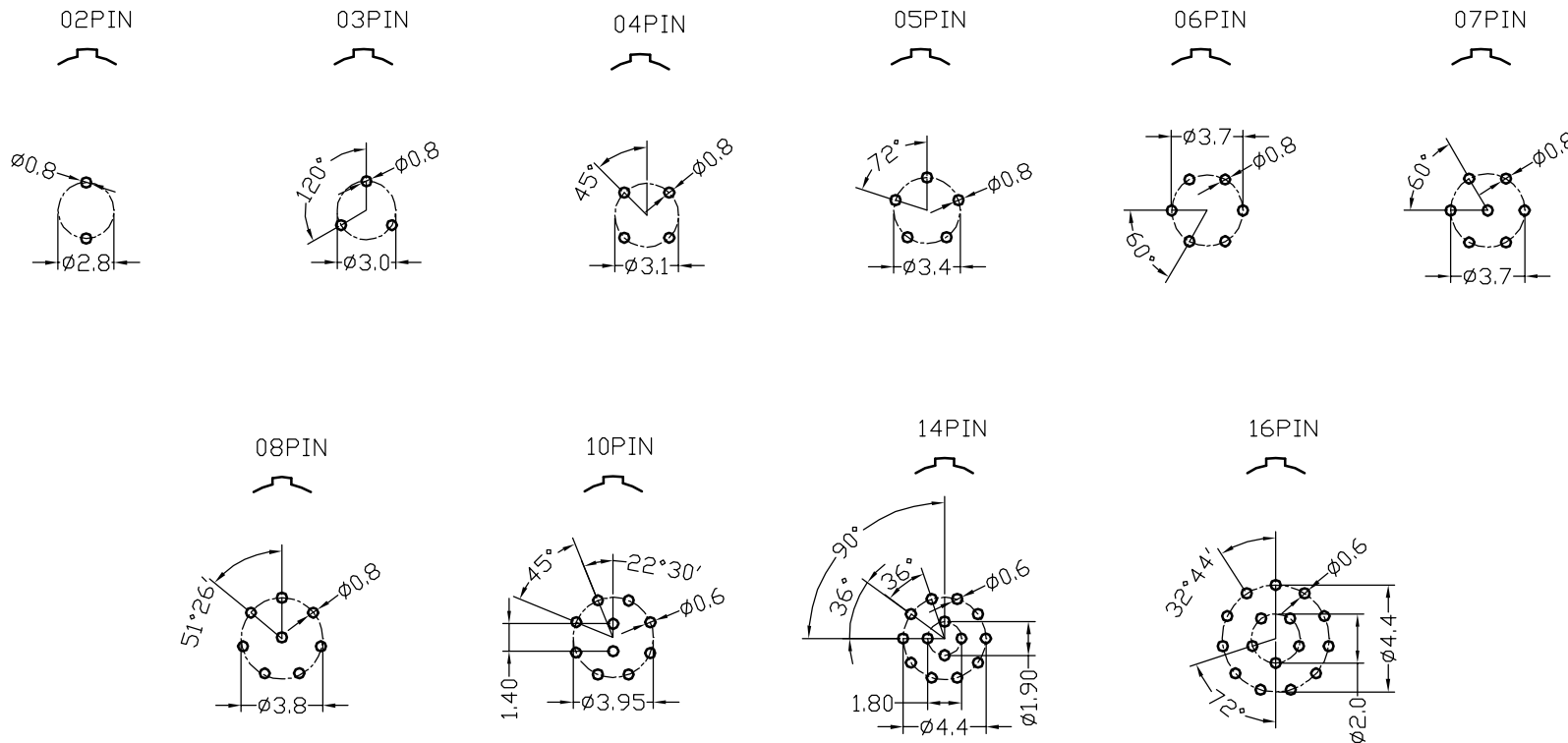
1B FIXED SOCKET CRIMP CONTACT TYPE VIEW



X2	UPDATE RELEASE	7/15'15	Seawen
REV.	DESCRIPTION	DATE	APPD

UNITS <input checked="" type="checkbox"/> mm <input type="checkbox"/> INCH		NAME: SNAP LATCH METAL 1B FIXED SOCKET NUT FIXING		NEXTRONICS ENGINEERING CORP. TITLE: CUSTOMER DWG.	
GENERAL TOLERANCES: (UNLESS SPECIFIED)		PART NO: R-F1BR**0*00*00			
	mm	INCH	APPD: Seawen 7/15'15	C	
4 PLACE	± **	± **	CHKD: Peter 7/15'15	SCALE: SHEET: REV.:	
3 PLACE	± 0.10	± **	DRAWN: Alex 7/15'15	2.5/1	2/4
2 PLACE	± 0.30	± **		X2	
1 PLACE	± 0.50	± **			
ANGULAR:	X° ± 2°	X° ± **			

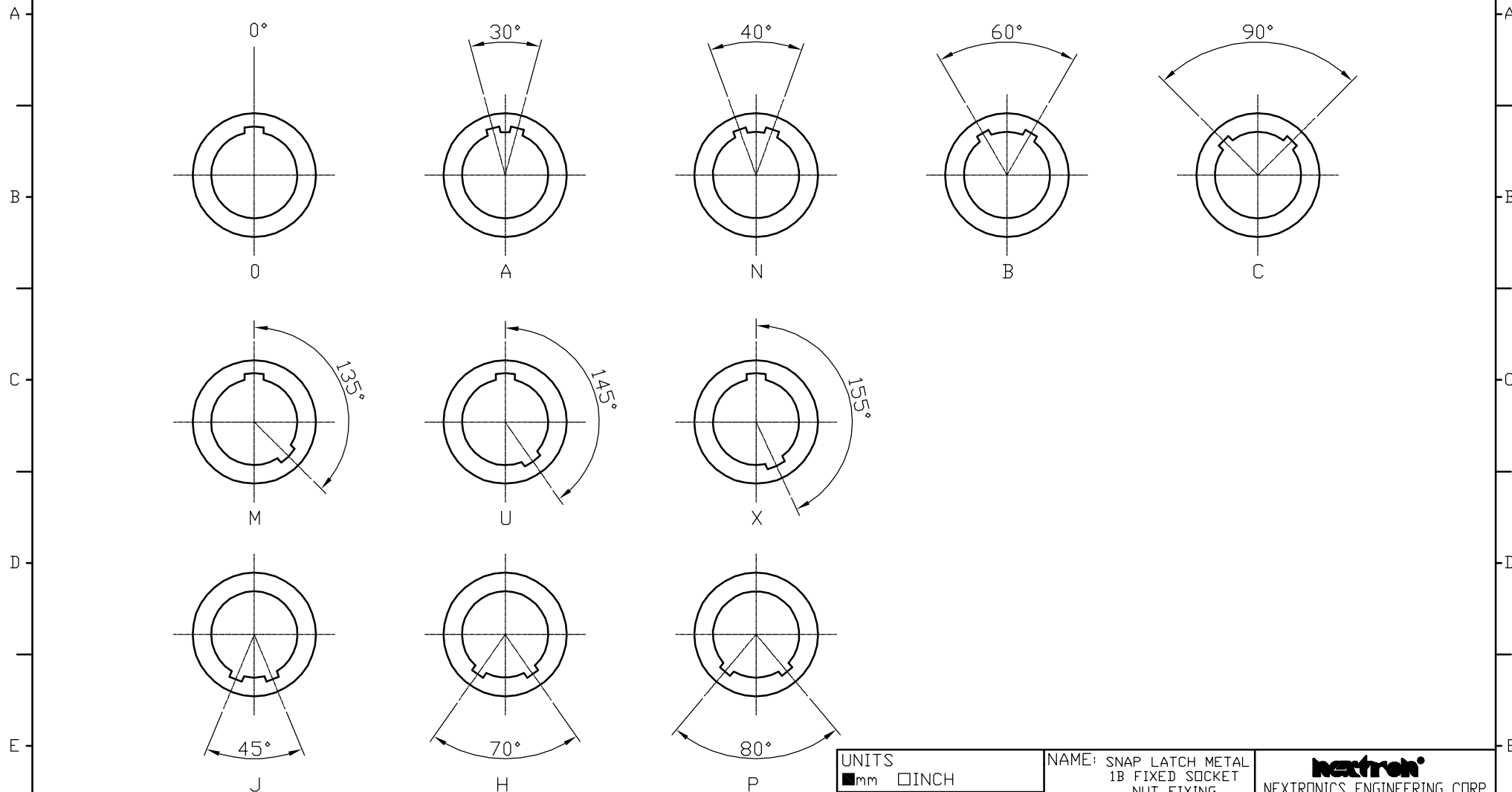
PCB DRILLING PATTERN:



UNITS <input checked="" type="checkbox"/> mm <input type="checkbox"/> INCH		NAME: SNAP LATCH METAL 1B FIXED SOCKET NUT FIXING		NEXTRONICS ENGINEERING CORP.		
GENERAL TOLERANCES: (UNLESS SPECIFIED)		PART NO: R-F1BR**0*00*00				TITLE: CUSTOMER DWG.
		mm	INCH	APPD: Seawen 7/15/15	DWG NO: 010-0000-B26	C
4 PLACE	± **	± **		CHKD: Peter 7/15/15	SCALE: 2.5/1	SHEET: 3/4
3 PLACE	± 0.10	± **		DRAWN: Alex 7/15/15	REV.: X2	
2 PLACE	± 0.30	± **				
1 PLACE	± 0.50	± **				
ANGULAR:	X° ± 2°	X° ± **				

X2	UPDATE RELEASE	7/15/15	Seawen
REV.	DESCRIPTION	DATE	APPD

KEY ANGLES (RECEPTACLE FRONT VIEW):



UNITS <input checked="" type="checkbox"/> mm <input type="checkbox"/> INCH		NAME: SNAP LATCH METAL 1B FIXED SOCKET NUT FIXING		 NEXTRONICS ENGINEERING CORP. TITLE: CUSTOMER DWG.	
GENERAL TOLERANCES: (UNLESS SPECIFIED)		PART NO: R-F1BR**0*00*00			
	mm	INCH	APPD: Seawen 7/15/15		DWG NO: 010-0000-B26
4 PLACE	± **.05	± **.002	CHKD: Peter 7/15/15		C
3 PLACE	± 0.10	± **.005	DRAWN: Alex 7/15/15		SCALE: SHEET: REV.:
2 PLACE	± 0.30	± **.010			2.5/1 4/4 X2
1 PLACE	± 0.50	± **.020			
ANGULAR:	X° ± 2°	.X° ± **.005			

X2	UPDATE RELEASE	7/15/15	Seawen
REV.	DESCRIPTION	DATE	APPD